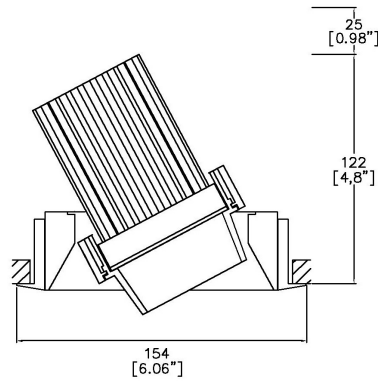


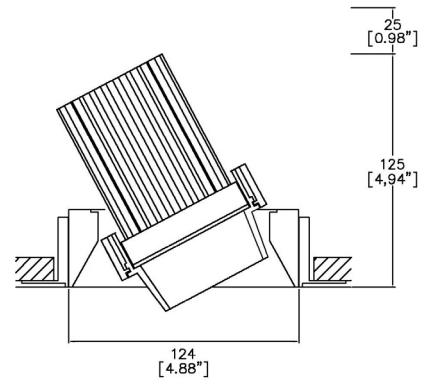
Axis5 Standard Snoot



Axis provides high performance electronics and architectural aesthetics in 3.5" and 5" trim with a n option of tapered or straight snoots. Axis products come as standard adjustable in a flanged or trimless installation kit. Tray, retrofit and housing installation methods (NIC, IC, AT, T24 and CCEA) Multiple configurations for equal spacing also available. Lucent modules available in a wide range of color temperatures, beam angles, intensities, and effects (Ambiance Warm-Dim and Dynamic Tuneable White). MR16 and GU10 LED lamp options available. TRIAC/Phase, 0-10v/1-10v, DMX and DALI/Digital dimming.



A300/2-LED-TR
Cut-out 148mm (5.82") Ø



A300/2-LED-TL
Cut-out 145mm (5.70") Ø



Installation kit for overlap flange



Mud-in kit for seamless/trimless

	LED71TW	LED71TW	LED71TW
LED Source	LED71TW	LED71TW	LED71TW
CCT range	@ 3000K	@ 3000K	@ 3000K
Drive Current (max per channel)	1000mA	1000mA	1000mA
Power inc Driver Max	27.5W	27.5W	27.5W
Beam Angle	19°	23°	42°
Delivered Lumens	1583	1528	1433
Delivered Intensity cd	7095	5611	2429
Efficacy lm/w	58	56	52
Forward Volt (max per channel)	23.4V	23.4V	23.4V
CRI	≥95 CRI	≥95 CRI	≥95 CRI

Project Ref: _____

Location Ref: _____

Specify fixture part number (All boxes must be filled in to correctly order)

A300/2-LED				LED71TW	5020								
------------	--	--	--	---------	------	--	--	--	--	--	--	--	--

- Installation**
- TR Flange kit
 - TL Mud-in kit
- Finish**
- WH White
 - BK Black
 - RAL Custom*
- Ceiling Thickness**
- SC Standard Ceiling (1/2"-5/8"-3/4")
 - C Custom

LED Type
LED71TW LED71 Dynamic Tuneable White (95CRI)

CCT
5020 5000K - 2000K

Beam Angles

19	19
23	23
42	42

Housing/Tray

- LMT-15-NIC Mounting Tray Non-Insulated ceilings
- LH-8.50-NIC Housing 8.50" Non-Insulated ceilings
- LH-11.25-AT/IC Housing 11.25" Insulated/Air-tight ceilings and Chicago Plenum

Mounting Hardware

- 09 9" to 15.25" - Adjustable Bar Hanger Lengths
- 14 14" to 24" - Adjustable Bar Hanger Lengths
- 36 28" to 36" - Adjustable Bar Hanger Lengths
- BB Butterfly Bracket
- CB Caterpillar Bracket

Supply Voltage

- 120 120V
- 277 277V

Dimming Protocol

- A2 Analogue (0-10V) 2-Channel (0.1% Dimming)
- D6 DALI Type 6** (0.1% Dimming)
- D8 DALI Type 8** (0.1% Dimming)
- L Lutron (Consult Factory)

Emergency

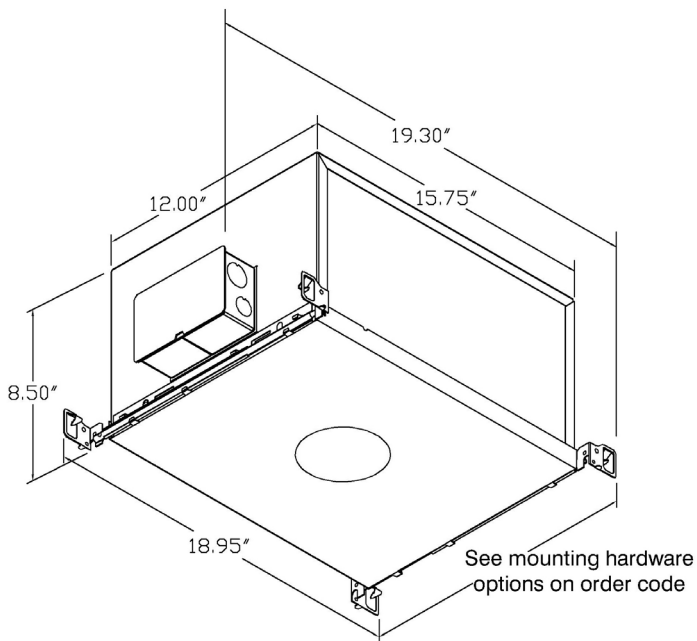
- E 1.5h Emergency
- ES 1.5h Self test

Louvre/Lens

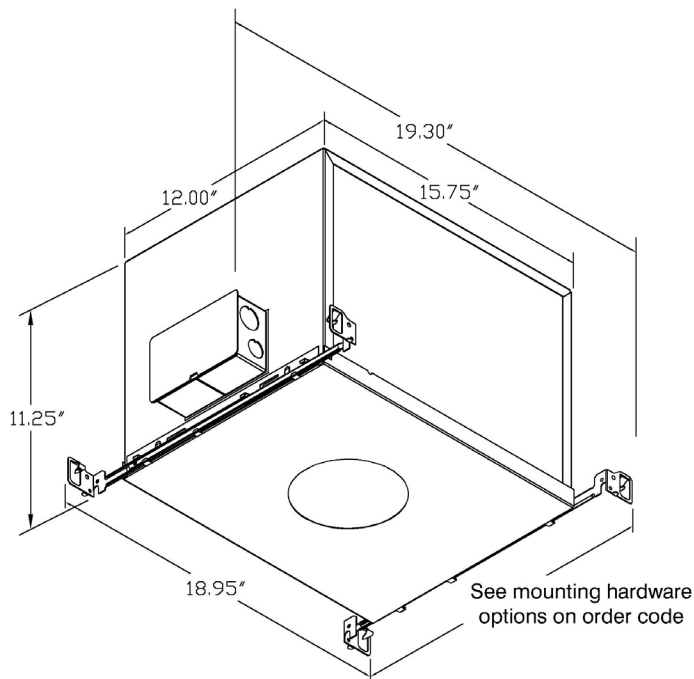
- XX Not required
- MD45 Honeycomb
- MDCC Warm Tone
- MDUV UV
- MDDF Solite/Diffusing
- MDFR Frosted Lens
- MDLS Linear Spread
- MDHS Heavy Spread

*Refer to Technical Details for more information

Housing dimensions

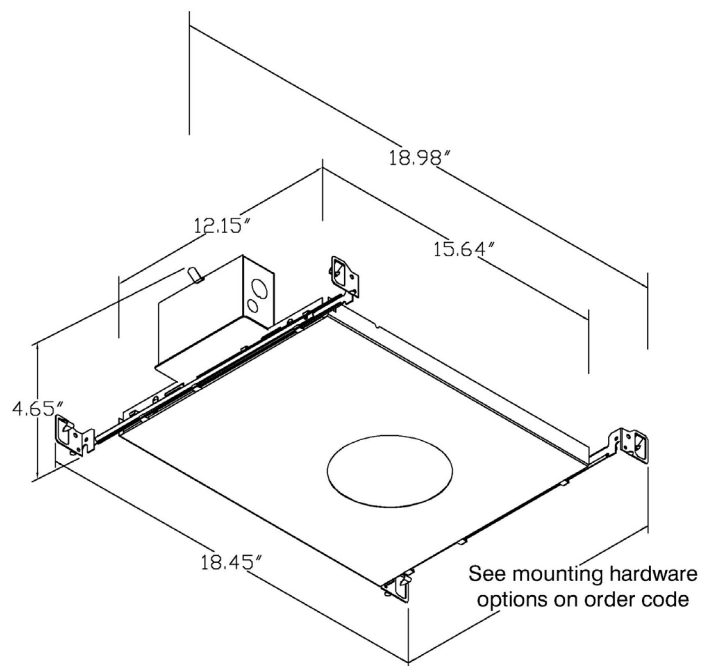


LH-8.50
Non-insulated ceiling



LH-11.25
Insulated/air-tight ceilings and
Chicago Plenum

Tray dimensions



LMT-15
Non-insulated ceilings



Honeycomb Louvre (MD45)



Solite/Diffusing Lens (MDDF)



Frosted Lens (MDFR)



Heavy Spread Lens (MDHS)



Linear Spread Lens (MDLS)



Warm Tone (MDCC)

.....

Technical Details

*Custom color requires a paint chip or RAL code and may increase price and lead-time

It is the responsibility of the specifier/integrator/installer to check and ensure compatibility of any control equipment used. Additional cabling may be required depending on the dimming protocol specified.

**DALI Type 6 requires two DALI addresses, one for CCT control the other for intensity control. DALI Type 8 is a single DALI Type 8 address for CCT and intensity control. Please check which control system is being used before specifying.

^ Depth indicated is the minimum recess depth for the luminaire with a remote mounted LED driver. Installing a driver through either the luminaire cut-out or installation kit may require additional recess depth, please refer to the relevant installation instructions prior to purchase.

First Fix Requirement. Luminaire comprised of fixture body with ceiling trim and installation kit, which is to be fitted into the ceiling once finished. Ensure correct alignment of the installation kit before final assembly (see luminaire installation instructions for details)

Location. Tested from underside of the ceiling.

Data correct at time of publishing. It is the policy of Lucent Lighting to continually review and improve its products and therefore reserve the right to change any details of product or withdraw specifications without prior notice.

This specification sheet supersedes all previous versions.

All intellectual property rights pertaining to the product described above and to this document are owned by or licensed to Lucent Lighting, Incorporated. Lucent Lighting reserves the right to take whatever action is necessary to protect its intellectual property, patents and trademarks

Please notify Lucent Lighting Inc. inaccuracies. E&OE

.....



Light efficiency:

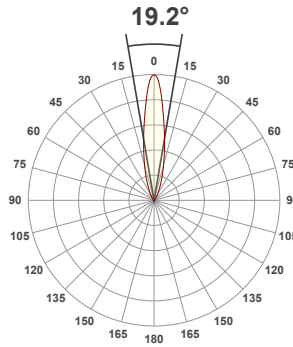
58 Lumen/Watt

Light quality:

CRI: 91.1

Color temperature:

3000 K



Product name:

Axis_Gimbal Std Snoot - LED71W-5020-19 - 3000K

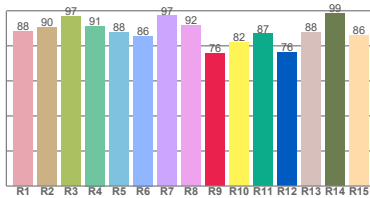
Item number:

Axis_Gimbal Std Snoot - LED71W-5020-19 - 3000K

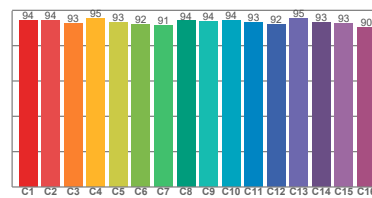
Delivered information for above fixture and LED combination.

Output: 1583 Lumen Peak intensity: 7095 cd Power consumption: 27.5

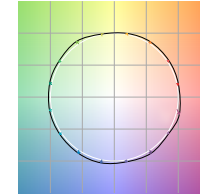
CRI R values



TM30 C Values

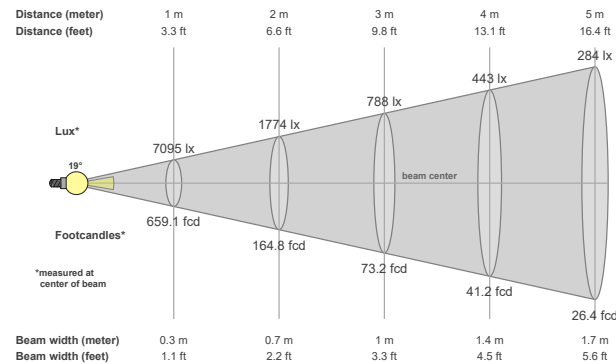


Color vector graphics



Color temperature	Color rendering index	Red component	Color fidelity	Color gamut	Color quality scale	Color coordinate cie 1931	Color coordinate cie 1931	Color coordinate	Color coordinate	Color deviation from black body
CCT	CRI	CRI R9	TM30 Rf	TM30 Rg	CQS	x	y	u	v	Δuv
3000 K	91.1	75.7	93.5	106.6	94.0	0.437	0.404	0.251	0.348	-0.0128

Beam details



Beam angles

Beam angle 50%	Field angle 10%	Cutoff angle 2,5%
19.2°	49.8°	73.3°

Beam intensities

Peak intensity	Int. ratio in 120° cone	Int. ratio in 90° cone
7095 cd	98.9%	97.1%

Beam intensities from 1-20m

1m	2m	3m	4m	5m	6m	7m	8m	9m	10m	11m	12m	13m	14m	15m	16m	17m	18m	19m	20m
3.3ft	6.6ft	9.8ft	13.1ft	16.4ft	19.7ft	23ft	26.2ft	29.5ft	32.8ft	36.1ft	39.4ft	42.7ft	45.9ft	49.2ft	52.5ft	55.8ft	59.1ft	62.3ft	65.6ft
7095lx	1774lx	788lx	443lx	284lx	197lx	145lx	111lx	88lx	71lx	59lx	49lx	42lx	36lx	32lx	28lx	25lx	22lx	20lx	18lx
659.1fcd	164.8fcd	73.2fcd	41.2fcd	26.4fcd	18.3fcd	13.5fcd	10.3fcd	8.1fcd	6.6fcd	5.4fcd	4.6fcd	3.9fcd	3.4fcd	2.9fcd	2.6fcd	2.3fcd	2fcd	1.8fcd	1.6fcd

All the above information for fixtures with LED71TW-5020 modules are tested at 3000K

Factors to adjust lumen output for the following CCTs at 100% output for the colour are as follows:

2000K = 0.75

2700K = 0.93

3500K = 1.07

4000K = 1.11

5000K = 1.17

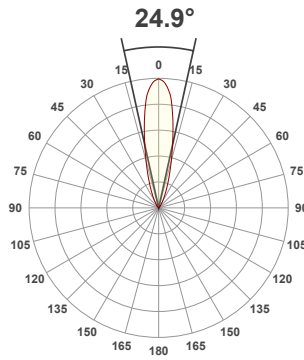
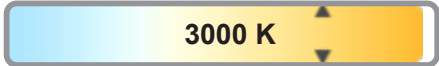
Light efficiency:



Light quality:



Color temperature:



Product name:

Axis_Gimbal Std Snoot - LED71W-5020-23 - 3000K

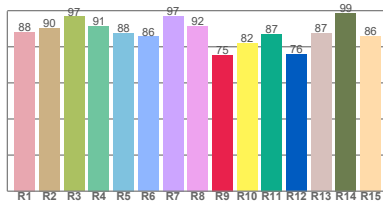
Item number:

Axis_Gimbal Std Snoot - LED71W-5020-23 - 3000K

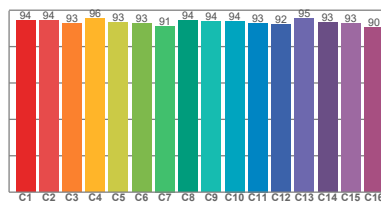
Delivered information for above fixture and LED combination.

Output: 1528 Lumen Peak intensity: 5611 cd Power consumption: 27.5

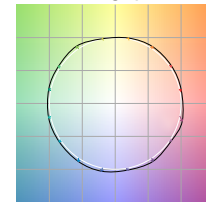
CRI R values



TM30 C Values

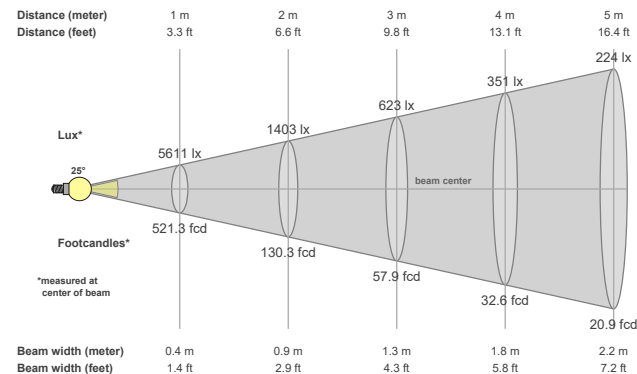


Color vector graphics



Color temperature	Color rendering index	Red component	Color fidelity	Color gamut	Color quality scale	Color coordinate cie 1931	Color coordinate cie 1931	Color coordinate	Color coordinate	Color deviation from black body
CCT	CRI	CRI R9	TM30 Rf	TM30 Rg	CQS	x	y	u	v	Δuv
3000 K	91.1	75.5	93.5	106.4	94.1	0.437	0.404	0.251	0.348	-0.0128

Beam details



Beam angles

Beam angle 50%	Field angle 10%	Cutoff angle 2,5%
24.9°	52.9°	74.8°

Beam intensities

Peak intensity	Int. ratio in 120° cone	Int. ratio in 90° cone
5611 cd	99.5%	98.1%

Beam intensities from 1-20m

1m	2m	3m	4m	5m	6m	7m	8m	9m	10m	11m	12m	13m	14m	15m	16m	17m	18m	19m	20m
3.3ft	6.6ft	9.8ft	13.1ft	16.4ft	19.7ft	23ft	26.2ft	29.5ft	32.8ft	36.1ft	39.4ft	42.7ft	45.9ft	49.2ft	52.5ft	55.8ft	59.1ft	62.3ft	65.6ft
5611lx	1403lx	623lx	351lx	224lx	156lx	115lx	88lx	69lx	56lx	46lx	39lx	33lx	29lx	25lx	22lx	19lx	17lx	16lx	14lx
521.3fcd	130.3fcd	57.9fcd	32.6fcd	20.9fcd	14.5fcd	10.6fcd	8.1fcd	6.4fcd	5.2fcd	4.3fcd	3.6fcd	3.1fcd	2.7fcd	2.3fcd	2fcd	1.8fcd	1.6fcd	1.4fcd	1.3fcd

All the above information for fixtures with LED71TW-5020 modules are tested at 3000K

Factors to adjust lumen output for the following CCTs at 100% output for the colour are as follows:

2000K = 0.75

2700K = 0.93

3500K = 1.07

4000K = 1.11

5000K = 1.17

Light efficiency:

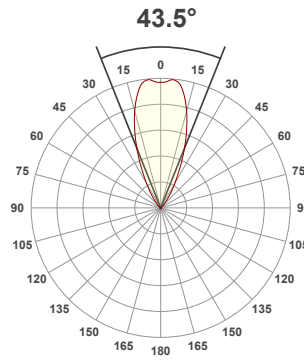
52 Lumen/Watt

Light quality:

CRI: 91.3

Color temperature:

3000 K



Product name:

Axis_Gimbal Std Snoot - LED71W-5020-42 - 3000K

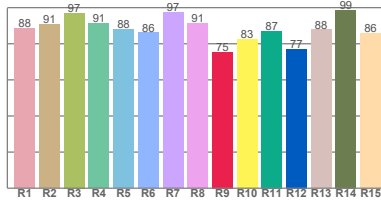
Item number:

Axis_Gimbal Std Snoot - LED71W-5020-42 - 3000K

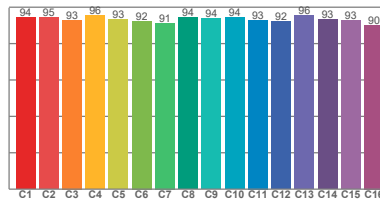
Delivered information for above fixture and LED combination.

Output: 1433 Lumen Peak intensity: 2429 cd Power consumption: 27.5

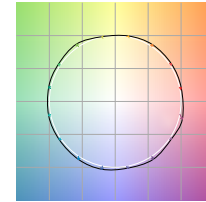
CRI R values



TM30 C Values

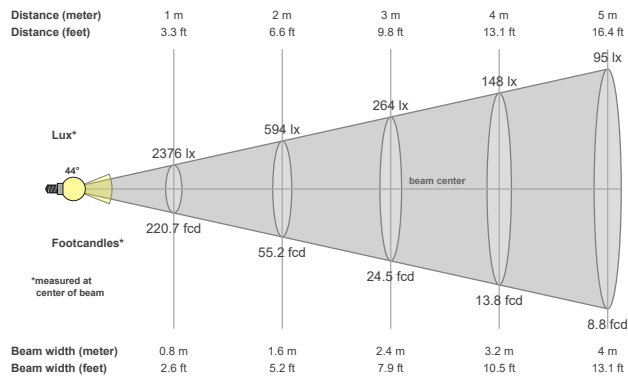


Color vector graphics



Color temperature	Color rendering index	Red component	Color fidelity	Color gamut	Color quality scale	Color coordinate cie 1931	Color coordinate cie 1931	Color coordinate	Color coordinate	Color deviation from black body
CCT	CRI	CRI R9	TM30 Rf	TM30 Rg	CQS	x	y	u	v	Δuv
3000 K	91.3	75.4	93.5	106.5	94.1	0.437	0.404	0.251	0.348	-0.0126

Beam details



Beam angles

Beam angle 50%	Field angle 10%	Cutoff angle 2,5%
43.5°	73.2°	92.5°

Beam intensities

Peak intensity	Int. ratio in 120° cone	Int. ratio in 90° cone
2429 cd	99.4%	96.9%

Beam intensities from 1-20m

1m	2m	3m	4m	5m	6m	7m	8m	9m	10m	11m	12m	13m	14m	15m	16m	17m	18m	19m	20m
3.3ft	6.6ft	9.8ft	13.1ft	16.4ft	19.7ft	23ft	26.2ft	29.5ft	32.8ft	36.1ft	39.4ft	42.7ft	45.9ft	49.2ft	52.5ft	55.8ft	59.1ft	62.3ft	65.6ft
2376lx	594lx	264lx	148lx	95lx	66lx	48lx	37lx	29lx	24lx	20lx	16lx	14lx	12lx	11lx	9lx	8lx	7lx	7lx	6lx
220.7fcd	55.2fcd	24.5fcd	13.8fcd	8.8fcd	6.1fcd	4.5fcd	3.4fcd	2.7fcd	2.2fcd	1.8fcd	1.5fcd	1.3fcd	1.1fcd	1fcd	0.9fcd	0.8fcd	0.7fcd	0.6fcd	0.6fcd

All the above information for fixtures with LED71TW-5020 modules are tested at 3000K

Factors to adjust lumen output for the following CCTs at 100% output for the colour are as follows:

2000K = 0.75

2700K = 0.93

3500K = 1.07

4000K = 1.11

5000K = 1.17