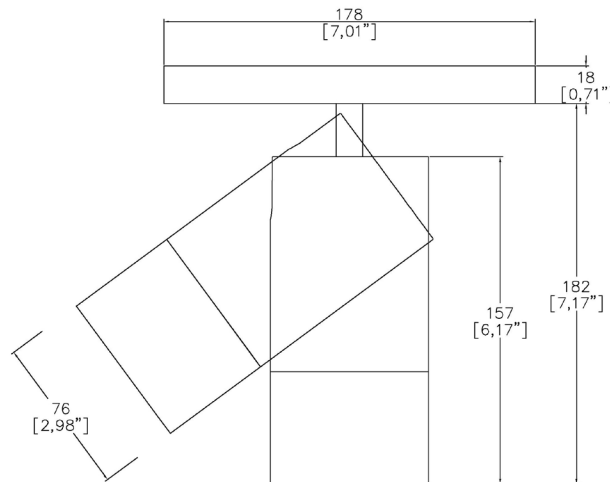


# TubeLED Midi Low Voltage Track Adaptor



TubeLED consists of the Nano, Micro, Mini and Midi versions giving a wide range of fixing options, light outputs and beam angles. TubeLED Mini available as SuperSpot version with ultra narrow beam option. TubeLED Mini and Midi available as high output versions. Can be installed in Mains Volt and Low Volt track or surface mounted options.



A9100/2-LED-LVTR

LED Source	LED	LED	LED
CCT	3000K	3000K	3000K
Drive Current	500mA	500mA	500mA
Supply Voltage	48V	48V	48V
Power inc Driver	22W	22W	22W
Beam Angle	12°	19°	34°
Delivered Lumens	1340	1185	1226
Delivered Intensisty cd	20036	9215	3923
Efficacy lm/w	61	54	56
Forward Volt	33V	33V	33V
CRI	≥90 CRI	≥90 CRI	≥90 CRI

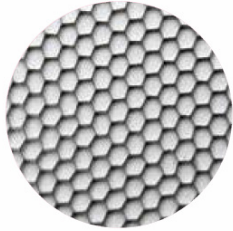
Project Ref: \_\_\_\_\_

Location Ref: \_\_\_\_\_

Specify fixture part number (All boxes must be filled in to correctly order)

<b>A9100/2-LED</b>						<b>LVTR</b>	
--------------------	--	--	--	--	--	-------------	--

- CCT
  - 27 2700K
  - 30 3000K
  - 40 4000K
- Beam Angles
  - 12 12
  - 19 19
  - 34 34
- Dimming Protocol
  - S Non-Dim
  - A Analogue (0-10V)
  - D DALI
- Color Insert
  - SN Satin Nickel
  - SG Satin Gold
  - CP Copper
  - BZ Bonze
  - (Blank) Not required standard black to be supplied
- Finish
  - WH White
  - BK Black
  - RAL Custom RAL Finish\*
- Fixing
  - LVTR Low Voltage Track Adaptor
- Louvre/Lens
  - XX Not required
  - MD45 Honeycomb
  - MDCC Warm Tone
  - MDUV UV
  - MDDF Solite/Diffusing
  - MDFR Frosted Lens
  - MDLS Linear Spread
  - MDHS Heavy Spread



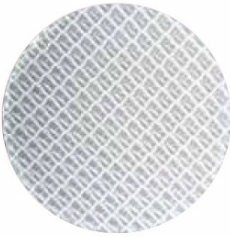
**Honeycomb Louvre (MD45)**



**Solite/Diffusing Lens (MDDF)**



**Frosted Lens (MDFR)**



**Heavy Spread Lens (MDHS)**



**Linear Spread Lens (MDLS)**



**Warm Tone (MDCC)**

.....

## Technical Details

\*Custom color requires a paint chip or RAL code and may increase price and lead-time

It is the responsibility of the specifier/integrator/installer to check and ensure compatibility of any control equipment used. Additional cabling may be required depending on the dimming protocol specified.

\*\*Bluetooth (wireless) is a communication protocol. The exact dimming protocol must be confirmed to allow the selection of suitable drivers or Bluetooth devices.

\*\*\*Non specific driver type, dimming performance depending on exact driver used. Contact Lucent Lighting for more information.

^ Depth indicated is the minimum recess depth for the luminaire with a remote mounted LED driver. Installing a driver through either the luminaire cut-out or installation kit may require additional recess depth, please refer to the relevant installation instructions prior to purchase.

First Fix Requirement. Luminaire comprised of fixture body with ceiling trim and installation kit, which is to be fitted into the ceiling once finished. Ensure correct alignment of the installation kit before final assembly (see luminaire installation instructions for details)

Location. Tested from underside of the ceiling.

Data correct at time of publishing. It is the policy of Lucent Lighting to continually review and improve its products and therefore reserve the right to change any details of product or withdraw specifications without prior notice.

This specification sheet supersedes all previous versions.

All intellectual property rights pertaining to the product described above and to this document are owned by or licensed to Lucent Lighting, Incorporated. Lucent Lighting reserves the right to take whatever action is necessary to protect its intellectual property, patents and trademarks

Please notify Lucent Lighting Inc. inaccuracies. E&OE

.....



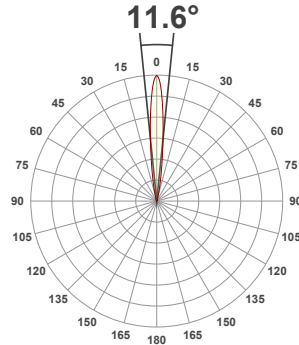
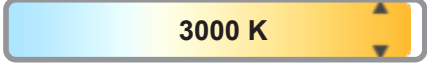
**Light efficiency:**



**Light quality:**



**Color temperature:**



Product name:

**9100\_2-LED-930-12**

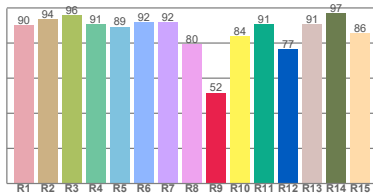
Item number:

**TubeLED Midi 3000K 12deg**

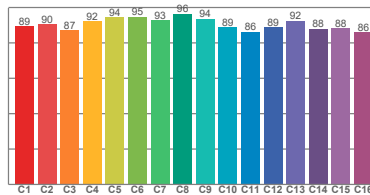
**Delivered information for above fixture and LED combination.**

**Output: 1340 Lumen Peak intensity: 20036 cd Power consumption: 22.0**

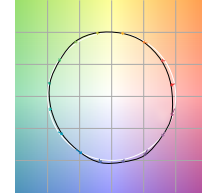
CRI R values



TM30 C Values

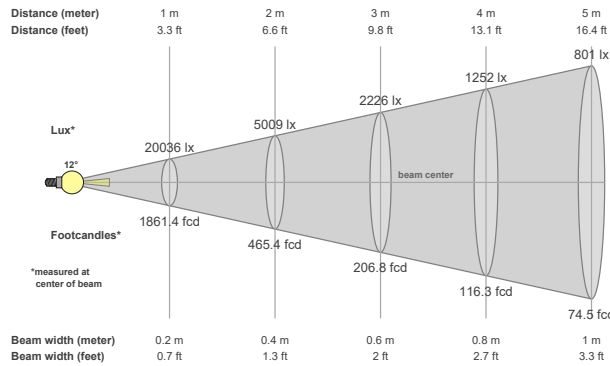


Color vector graphics



Color temperature	Color rendering index	Red component	Color fidelity	Color gamut	Color quality scale	Color coordinate cie 1931	Color coordinate cie 1931	Color coordinate	Color coordinate	Color deviation from black body
CCT	CRI	CRI R9	TM30 Rf	TM30 Rg	CQS	x	y	u	v	Δuv
3000 K	90.4	51.8	90.6	99.2	89.1	0.437	0.404	0.251	0.349	0.0010

**Beam details**



**Beam angles**

Beam angle 50%	Field angle 10%	Cutoff angle 2,5%
11.6°	24.1°	35.7°

**Beam intensities**

Peak intensity	Int. ratio in 120° cone	Int. ratio in 90° cone
20036 cd	99.4%	98.6%

**Beam intensities from 1-20m**

1m	2m	3m	4m	5m	6m	7m	8m	9m	10m	11m	12m	13m	14m	15m	16m	17m	18m	19m	20m
3.3ft	6.6ft	9.8ft	13.1ft	16.4ft	19.7ft	23ft	26.2ft	29.5ft	32.8ft	36.1ft	39.4ft	42.7ft	45.9ft	49.2ft	52.5ft	55.8ft	59.1ft	62.3ft	65.6ft
20036lx	5009lx	2226lx	1252lx	801lx	557lx	409lx	313lx	247lx	200lx	166lx	139lx	119lx	102lx	89lx	78lx	69lx	62lx	56lx	50lx
1861.4fcd	465.4fcd	206.8fcd	116.3fcd	74.5fcd	51.7fcd	38fcd	29.1fcd	23fcd	18.6fcd	15.4fcd	12.9fcd	11fcd	9.5fcd	8.3fcd	7.3fcd	6.4fcd	5.7fcd	5.2fcd	4.7fcd

The above information is for 3000K colour temperature, for specific module information please see LED spec located on our website

For information regarding other colour temperatures please use the following factors for lumen output and candelas:

2700K = 1  
4000K = 1.084

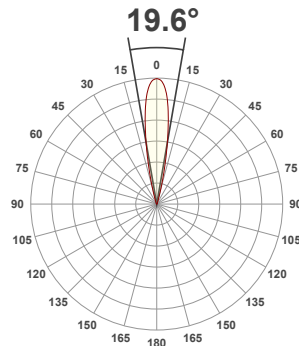
**Light efficiency:**



**Light quality:**



**Color temperature:**



Product name:

**9100\_2-LED-930-19**

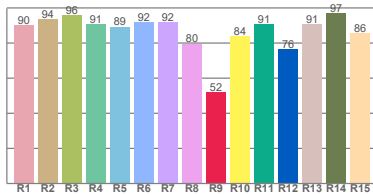
Item number:

**TubeLED Midi 3000K 19deg**

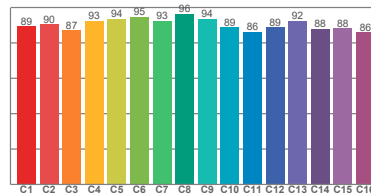
**Delivered information for above fixture and LED combination.**

**Output: 1185 Lumen Peak intensity: 9215 cd Power consumption: 22.0**

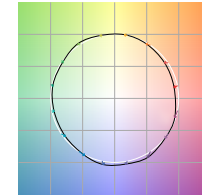
CRI R values



TM30 C Values

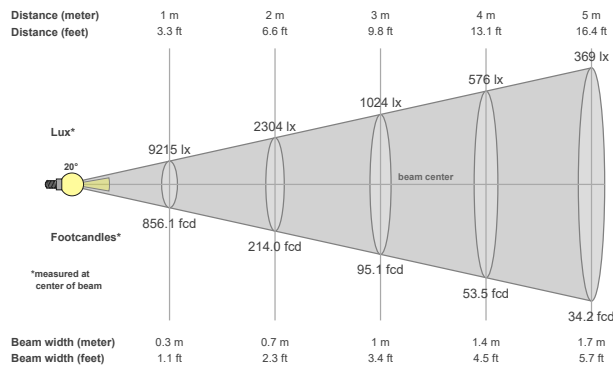


Color vector graphics



Color temperature	Color rendering index	Red component	Color fidelity	Color gamut	Color quality scale	Color coordinate cie 1931	Color coordinate cie 1931	Color coordinate	Color coordinate	Color deviation from black body
CCT	CRI	CRI R9	TM30 Rf	TM30 Rg	CQS	x	y	u	v	Δuv
3000 K	90.4	52.0	90.6	99.3	89.2	0.437	0.404	0.250	0.348	0.0010

**Beam details**



**Beam angles**

Beam angle 50%	Field angle 10%	Cutoff angle 2,5%
19.6°	31.9°	43°

**Beam intensities**

Peak intensity	Int. ratio in 120° cone	Int. ratio in 90° cone
9215 cd	99.6%	98.7%

**Beam intensities from 1-20m**

1m	2m	3m	4m	5m	6m	7m	8m	9m	10m	11m	12m	13m	14m	15m	16m	17m	18m	19m	20m
3.3ft	6.6ft	9.8ft	13.1ft	16.4ft	19.7ft	23ft	26.2ft	29.5ft	32.8ft	36.1ft	39.4ft	42.7ft	45.9ft	49.2ft	52.5ft	55.8ft	59.1ft	62.3ft	65.6ft
9215lx	2304lx	1024lx	576lx	369lx	256lx	188lx	144lx	114lx	92lx	76lx	64lx	55lx	47lx	41lx	36lx	32lx	28lx	26lx	23lx
856.1fcd	214fcd	95.1fcd	53.5fcd	34.2fcd	23.8fcd	17.5fcd	13.4fcd	10.6fcd	8.6fcd	7.1fcd	5.9fcd	5.1fcd	4.4fcd	3.8fcd	3.3fcd	3fcd	2.6fcd	2.4fcd	2.1fcd

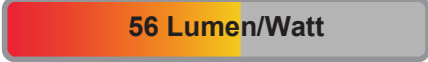
The above information is for 3000K colour temperature, for specific module information please see LED spec located on our website

For information regarding other colour temperatures please use the following factors for lumen output and candelas:

2700K = 1

4000K = 1.084

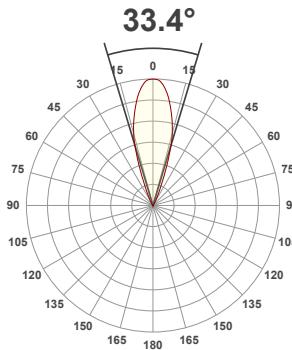
**Light efficiency:**



**Light quality:**



**Color temperature:**



Product name:

**9100\_2-LED-930-34**

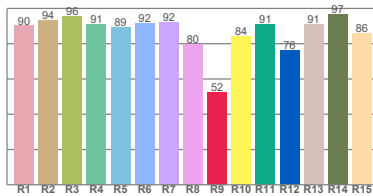
Item number:

**TubeLED Midi 3000K 34deg**

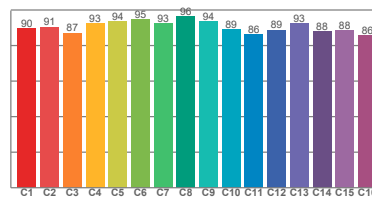
**Delivered information for above fixture and LED combination.**

**Output: 1226 Lumen Peak intensity: 3923 cd Power consumption: 22.0**

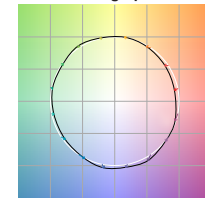
**CRI R values**



**TM30 C Values**

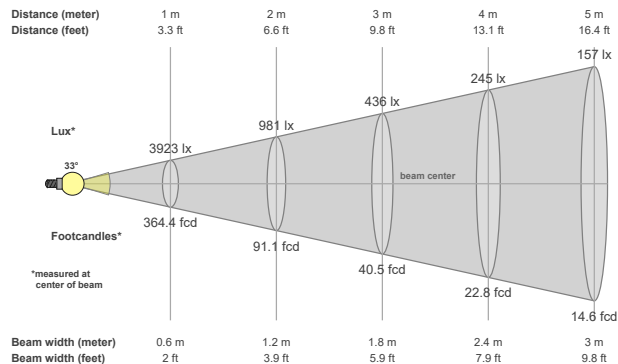


**Color vector graphics**



Color temperature	Color rendering index	Red component	Color fidelity	Color gamut	Color quality scale	Color coordinate cie 1931	Color coordinate cie 1931	Color coordinate	Color coordinate	Color deviation from black body
CCT	CRI	CRI R9	TM30 Rf	TM30 Rg	CQS	x	y	u	v	Δuv
3000 K	90.4	52.3	90.6	99.4	89.2	0.437	0.404	0.250	0.348	0.0010

**Beam details**



**Beam angles**

Beam angle 50%	Field angle 10%	Cutoff angle 2,5%
33.4°	49.8°	66.7°

**Beam intensities**

Peak intensity	Int. ratio in 120° cone	Int. ratio in 90° cone
3923 cd	99.5%	98.5%

**Beam intensities from 1-20m**

1m	2m	3m	4m	5m	6m	7m	8m	9m	10m	11m	12m	13m	14m	15m	16m	17m	18m	19m	20m
3.3ft	6.6ft	9.8ft	13.1ft	16.4ft	19.7ft	23ft	26.2ft	29.5ft	32.8ft	36.1ft	39.4ft	42.7ft	45.9ft	49.2ft	52.5ft	55.8ft	59.1ft	62.3ft	65.6ft
3923lx	981lx	436lx	245lx	157lx	109lx	80lx	61lx	48lx	39lx	32lx	27lx	23lx	20lx	17lx	15lx	14lx	12lx	11lx	10lx
364.4fcd	91.1fcd	40.5fcd	22.8fcd	14.6fcd	10.1fcd	7.4fcd	5.7fcd	4.5fcd	3.6fcd	3fcd	2.5fcd	2.2fcd	1.9fcd	1.6fcd	1.4fcd	1.3fcd	1.1fcd	1fcd	0.9fcd

The above information is for 3000K colour temperature, for specific module information please see LED spec located on our website

For information regarding other colour temperatures please use the following factors for lumen output and candelas:

2700K = 1  
4000K = 1.084