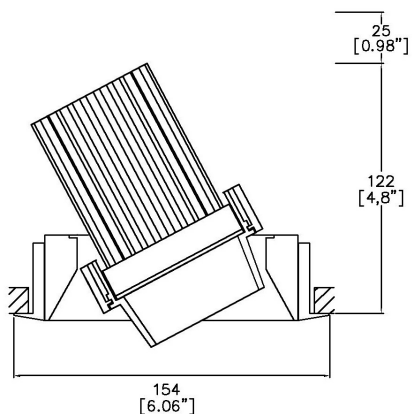


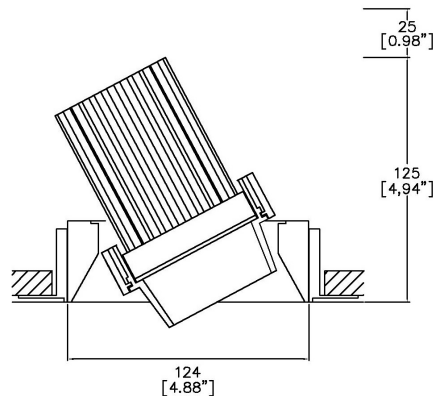
ProSpex Axis Midi2



154mm (6.06") overall trim diameter. 127mm (5") overall trimless diameter. Available with standard trim kit or plaster-in kit for flush appearance. Family of matching products also available. Required depth height + 25mm[^]



300/2-LED-TR
Up to 35° tilt
Cut-out 141mm Ø



300/2-LED-TL
Up to 35° tilt
Cut-out 141mm Ø

LED Source	LED71WD	LED71WD	LED71WD
CCT	3000K	3000K	3000K
Drive Current	1000mA	1000mA	1000mA
Power inc Driver	27W	27W	27W
Beam Angle	19°	23°	42°
Delivered Lumens	1537	1473	1370
Delivered Intensisty cd	6277	5127	2172
Efficacy lm/w	57	55	51
Forward Volt	23V	23V	23V
CRI	≥95 CRI	≥95 CRI	≥95 CRI

Test results at full output

Project Ref: _____

Location Ref: _____

Fixture Order Code: - - -

Fixture
300/2-LED Axis Midi2 Standard Snoot with LED71

Installation
TR Trim
TL Trimless

Finish
WH White
BK Black
RAL Custom RAL Colour*

Emergency
E Maintained 3hr Emergency
ED Maintained 3hr DALI Self Test
ES Maintained 3hr Self Test



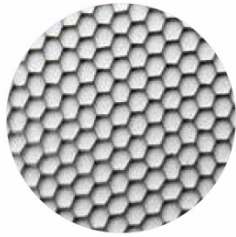
LED Order Code: - - -

LED
LED71WD LED70 ONE Ambiance WarmDim

CCT
2720 2700K - 2000K
3020 3000K - 2000K

Beam
19 19°
23 23°
42 42°

Protocol
S Non-Dim
A Analogue (0-10v)
P Phase
D DALI
B Bluetooth**



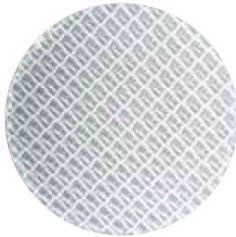
Honeycomb Louvre



Diffusing Lens



Frosted Lens



Heavy Spread Lens



Linear Spread Lens



Warm Tone

Accessories Order Code:

Louvre/Lens

- MD45 Honeycomb Louvre
- MDCC Warm Tone Lens
- MDUV UV Lens
- MDDF Diffusing Lens
- MDFR Frosted Lens
- MDLS Linear Spread Lens
- MDHS Heavy Spread Lens

Technical Details

*Custom RAL code must be specified. Custom RAL colours can increase prices and lead times

Dimming. Whilst Lucent can offer the majority of its luminaires with various dimming options, it remains the responsibility of the specifier/installer to check and ensure compatibility of any control equipment used. Additional cabling may be required depending on the dimming protocol specified.

**Bluetooth (wireless) is the communication method. The exact dimming protocol must be confirmed to allow the selection of suitable drivers or bluetooth devices.

^ Depth indicated is the minimum recess depth for the luminaire with a remote mounted LED driver. Installing a driver through either the luminaire cut-out or installation kit may require additional recess depth, please refer to the relevant luminaire installation instructions for further details. Data correct at time of publishing

First Fix Requirement. Luminaire comprised of fixture body with ceiling trim and installation kit, which is to be fitted into the ceiling once finished. Ensure correct alignment of the installation kit before final assembly (see luminaire installation instructions for details)

IP Rating. Tested from underside of the ceiling

It is the policy of Lucent Lighting to continually review and improve its products and therefore reserve the right to change any details of product or withdraw specifications without prior notice.

Luminaires designed to comply with EN60598 and all other standards.

This specification sheet superseded all previous versions.

All intellectual property rights pertaining to the product described above and to this document are owned by or licensed to Lucent Lighting Ltd.

We reserve the right to take whatever action is necessary to protect those intellectual property rights.

Please notify Lucent Lighting Ltd of any inaccuracies immediately. E&OE

Light efficiency:

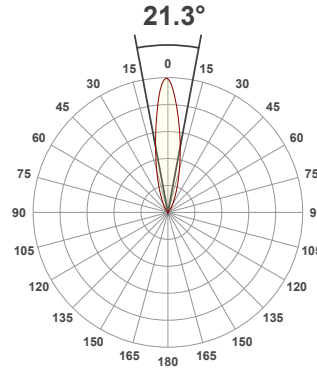
57 Lumen/Watt

Light quality:

CRI: 96.3

Color temperature:

2883 K



Product name:

300-LED - LED71WD-3020-19

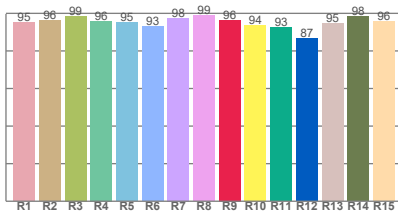
Item number:

Axis Midi - LED71WD 3020-19 @ 1000mA

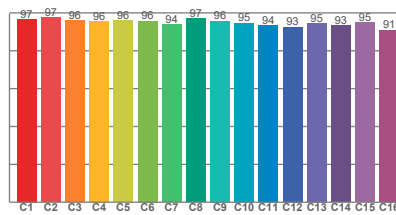
Delivered information for above fixture and LED combination.

Output: 1537 Lumen Peak intensity: 6277 cd Power consumption: 27.0

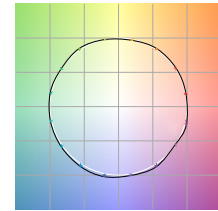
CRI R values



TM30 C Values

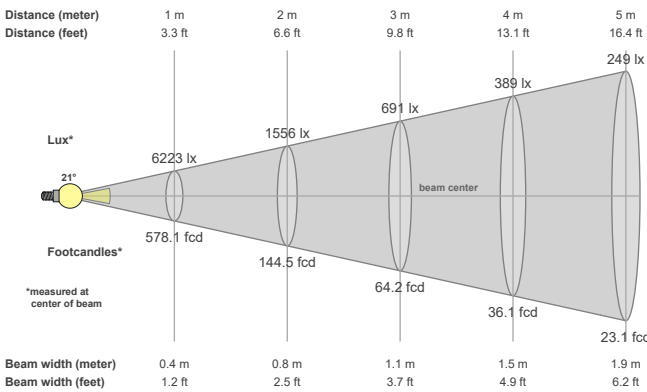


Color vector graphics



Color temperature	Color rendering index	Red component	Color fidelity	Color gamut	Color quality scale	Color coordinate cie 1931	Color coordinate cie 1931	Color coordinate	Color coordinate	Color deviation from black body
CCT	CRI	CRI R9	TM30 Rf	TM30 Rg	CQS	x	y	u	v	Δuv
2883 K	96.3	96.4	95.2	102.8	95.4	0.439	0.393	0.257	0.345	-0.0046

Beam details



Beam angels

Beam angle 50%	Field angle 10%	Cutoff angle 2,5%
21.3°	51.9°	76.1°

Beam intensities

Peak intensity	Int. ratio in 120° cone	Int. ratio in 90° cone
6277 cd	99.6%	97.8%

Beam intensities from 1-20m

1m	2m	3m	4m	5m	6m	7m	8m	9m	10m	11m	12m	13m	14m	15m	16m	17m	18m	19m	20m
3.3ft	6.6ft	9.8ft	13.1ft	16.4ft	19.7ft	23ft	26.2ft	29.5ft	32.8ft	36.1ft	39.4ft	42.7ft	45.9ft	49.2ft	52.5ft	55.8ft	59.1ft	62.3ft	65.6ft
6223lx	1556lx	691lx	389lx	249lx	173lx	127lx	97lx	77lx	62lx	51lx	43lx	37lx	32lx	28lx	24lx	22lx	19lx	17lx	16lx
578.1fcd	144.5fcd	64.2fcd	36.1fcd	23.1fcd	16.1fcd	11.8fcd	9fcd	7.1fcd	5.8fcd	4.8fcd	4fcd	3.4fcd	2.9fcd	2.6fcd	2.3fcd	2fcd	1.8fcd	1.6fcd	1.4fcd

The above information is for 3000K colour temperature, for specific module information please see LED spec located on our website

For information regarding other colour temperatures please use the following factors for lumen output and candelas:

2700K = 0.85

Light efficiency:

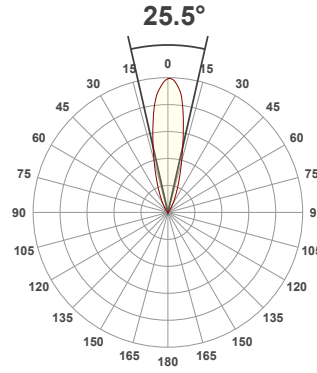
55 Lumen/Watt

Light quality:

CRI: 96.3

Color temperature:

2885 K



Product name:

300-LED - LED71WD-3020-23

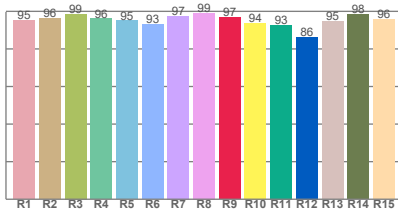
Item number:

Axis Midi - LED71WD 3020-23 @ 1000mA

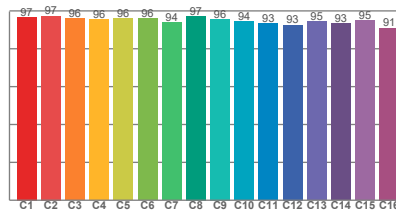
Delivered information for above fixture and LED combination.

Output: 1473 Lumen Peak intensity: 5127 cd Power consumption: 27.0

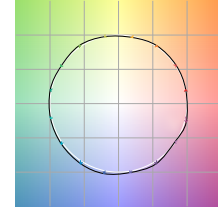
CRI R values



TM30 C Values

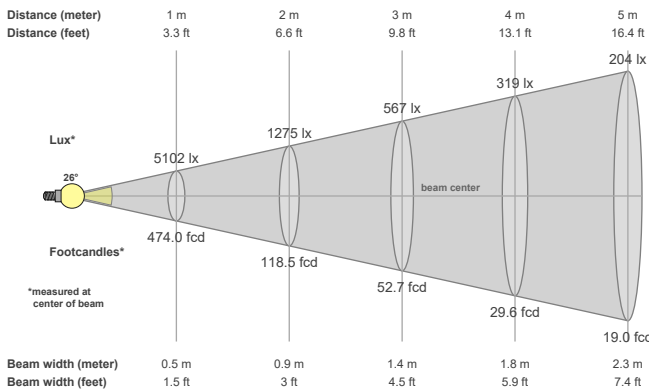


Color vector graphics



Color temperature	Color rendering index	Red component	Color fidelity	Color gamut	Color quality scale	Color coordinate cie 1931	Color coordinate cie 1931	Color coordinate	Color coordinate	Color deviation from black body
CCT	CRI	CRI R9	TM30 Rf	TM30 Rg	CQS	x	y	u	v	Δuv
2885 K	96.3	96.6	95.1	102.7	95.4	0.439	0.393	0.256	0.345	-0.0046

Beam details



Beam angels

Beam angle 50%	Field angle 10%	Cutoff angle 2,5%
25.5°	54.7°	76.6°

Beam intensities

Peak intensity	Int. ratio in 120° cone	Int. ratio in 90° cone
5127 cd	99.7%	97.9%

Beam intensities from 1-20m

1m	2m	3m	4m	5m	6m	7m	8m	9m	10m	11m	12m	13m	14m	15m	16m	17m	18m	19m	20m
3.3ft	6.6ft	9.8ft	13.1ft	16.4ft	19.7ft	23ft	26.2ft	29.5ft	32.8ft	36.1ft	39.4ft	42.7ft	45.9ft	49.2ft	52.5ft	55.8ft	59.1ft	62.3ft	65.6ft
5102lx	1275lx	567lx	319lx	204lx	142lx	104lx	80lx	63lx	51lx	42lx	35lx	30lx	26lx	23lx	20lx	18lx	16lx	14lx	13lx
474fcd	118.5fcd	52.7fcd	29.6fcd	19fcd	13.2fcd	9.7fcd	7.4fcd	5.9fcd	4.7fcd	3.9fcd	3.3fcd	2.8fcd	2.4fcd	2.1fcd	1.9fcd	1.6fcd	1.5fcd	1.3fcd	1.2fcd

The above information is for 3000K colour temperature, for specific module information please see LED spec located on our website

For information regarding other colour temperatures please use the following factors for lumen output and candelas:

2700K = 0.85

Light efficiency:

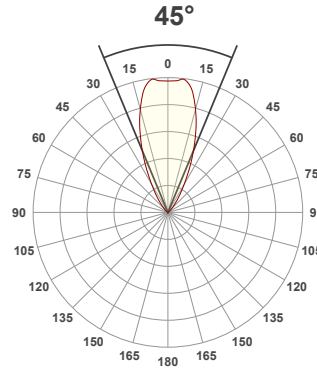
51 Lumen/Watt

Light quality:

CRI: 96.3

Color temperature:

2896 K



Product name:

300-LED - LED71WD-3020-42

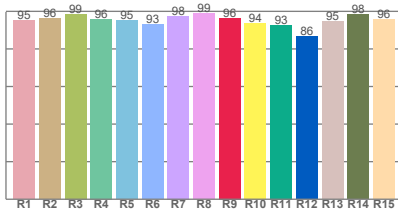
Item number:

Axis Midi - LED71WD 3020-42 @ 1000mA

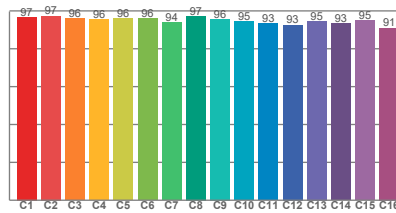
Delivered information for above fixture and LED combination.

Output: 1370 Lumen Peak intensity: 2172 cd Power consumption: 27.0

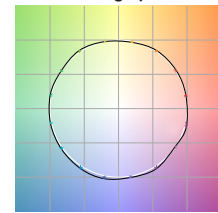
CRI R values



TM30 C Values

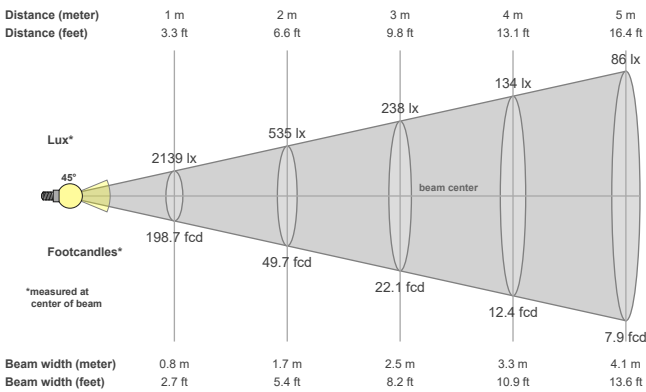


Color vector graphics



Color temperature	Color rendering index	Red component	Color fidelity	Color gamut	Color quality scale	Color coordinate cie 1931	Color coordinate cie 1931	Color coordinate	Color coordinate	Color deviation from black body
CCT	CRI	CRI R9	TM30 Rf	TM30 Rg	CQS	x	y	u	v	Δuv
2896 K	96.3	96.4	95.1	102.8	95.4	0.438	0.393	0.256	0.345	-0.0047

Beam details



Beam angles

Beam angle 50%	Field angle 10%	Cutoff angle 2,5%
45°	75.8°	96°

Beam intensities

Peak intensity	Int. ratio in 120° cone	Int. ratio in 90° cone
2172 cd	99.5%	96.3%

Beam intensities from 1-20m

1m	2m	3m	4m	5m	6m	7m	8m	9m	10m	11m	12m	13m	14m	15m	16m	17m	18m	19m	20m
3.3ft	6.6ft	9.8ft	13.1ft	16.4ft	19.7ft	23ft	26.2ft	29.5ft	32.8ft	36.1ft	39.4ft	42.7ft	45.9ft	49.2ft	52.5ft	55.8ft	59.1ft	62.3ft	65.6ft
2139lx	535lx	238lx	134lx	86lx	59lx	44lx	33lx	26lx	21lx	18lx	15lx	13lx	11lx	10lx	8lx	7lx	7lx	6lx	5lx
198.7fcd	49.7fcd	22.1fcd	12.4fcd	7.9fcd	5.5fcd	4.1fcd	3.1fcd	2.5fcd	2fcd	1.6fcd	1.4fcd	1.2fcd	1fcd	0.9fcd	0.8fcd	0.7fcd	0.6fcd	0.6fcd	0.5fcd

The above information is for 3000K colour temperature, for specific module information please see LED spec located on our website

For information regarding other colour temperatures please use the following factors for lumen output and candelas:

2700K = 0.85