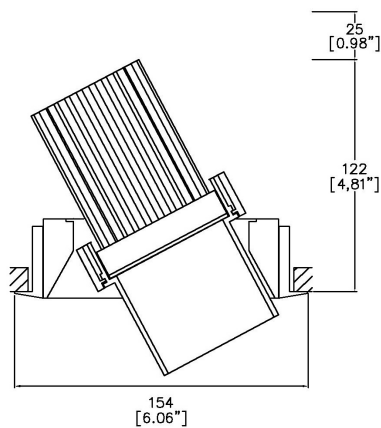


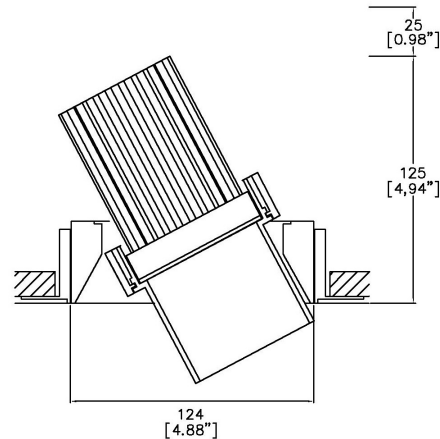
ProSpex Axis Midi2 Long Snoot



154mm (6.06") overall trim diameter. 127mm (5") overall trimless diameter. Supplied with long snoot. Available with standard trim kit or plaster-in kit for flush appearance. Family of matching products also available. Required depth height + 25mm[^]



300/2-LS-LED-TR
Up to 35° tilt
Cut-out 141mm Ø



300/2-LS-LED-TL
Up to 35° tilt
Cut-out 141mm Ø

LED Source	LED71WD	LED71WD	LED71WD
CCT	3000K	3000K	3000K
Drive Current	1000mA	1000mA	1000mA
Power inc Driver	27W	27W	27W
Beam Angle	19°	23°	42°
Delivered Lumens	1220	1154	998
Delivered Intensisty cd	6582	5178	2200
Efficacy lm/w	45	43	37
Forward Volt	23V	23V	23V
CRI	≥95 CRI	≥95 CRI	≥95 CRI

Test results at full output

Project Ref: _____

Location Ref: _____

Fixture Order Code: - - -

Fixture
300/2-LS-LED Axis Midi2 Long Snoot with LED71

Installation
TR Trim
TL Trimless

Finish
WH White
BK Black
RAL Custom RAL Colour*

Emergency
E Maintained 3hr Emergency
ED Maintained 3hr DALI Self Test
ES Maintained 3hr Self Test



LED Order Code: - - -

LED
LED71WD LED70 ONE Ambiance WarmDim

CCT
2720 2700K - 2000K
3020 3000K - 2000K

Beam
19°
23°
42°

Protocol
S Non-Dim
A Analogue (0-10v)
P Phase
D DALI
B Bluetooth**



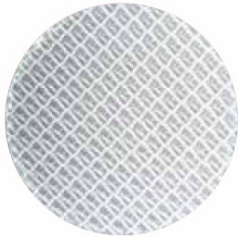
Honeycomb Louvre



Diffusing Lens



Frosted Lens



Heavy Spread Lens



Linear Spread Lens



Warm Tone

Accessories Order Code:

Louvre/Lens

- MD45 Honeycomb Louvre
- MDCC Warm Tone Lens
- MDUV UV Lens
- MDDF Diffusing Lens
- MDFR Frosted Lens
- MDLS Linear Spread Lens
- MDHS Heavy Spread Lens

Technical Details

*Custom RAL code must be specified. Custom RAL colours can increase prices and lead times

Dimming. Whilst Lucent can offer the majority of its luminaires with various dimming options, it remains the responsibility of the specifier/installer to check and ensure compatibility of any control equipment used. Additional cabling may be required depending on the dimming protocol specified.

**Bluetooth (wireless) is the communication method. The exact dimming protocol must be confirmed to allow the selection of suitable drivers or bluetooth devices.

^ Depth indicated is the minimum recess depth for the luminaire with a remote mounted LED driver. Installing a driver through either the luminaire cut-out or installation kit may require additional recess depth, please refer to the relevant luminaire installation instructions for further details. Data correct at time of publishing

First Fix Requirement. Luminaire comprised of fixture body with ceiling trim and installation kit, which is to be fitted into the ceiling once finished. Ensure correct alignment of the installation kit before final assembly (see luminaire installation instructions for details)

IP Rating. Tested from underside of the ceiling

It is the policy of Lucent Lighting to continually review and improve its products and therefore reserve the right to change any details of product or withdraw specifications without prior notice.

Luminaires designed to comply with EN60598 and all other standards.

This specification sheet superseded all previous versions.

All intellectual property rights pertaining to the product described above and to this document are owned by or licensed to Lucent Lighting Ltd.

We reserve the right to take whatever action is necessary to protect those intellectual property rights.

Please notify Lucent Lighting Ltd of any inaccuracies immediately. E&OE

Light efficiency:

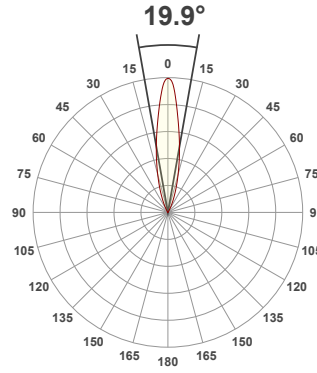
45 Lumen/Watt

Light quality:

CRI: 96.4

Color temperature:

2875 K



Product name:

300-LS-LED - LED71WD-3020-19

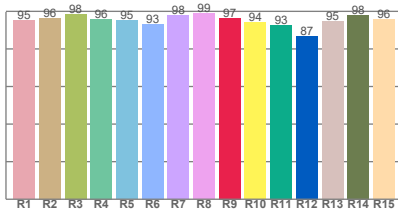
Item number:

Axis Midi Straight Snoot - LED71WD 3020-19 @ 1000mA

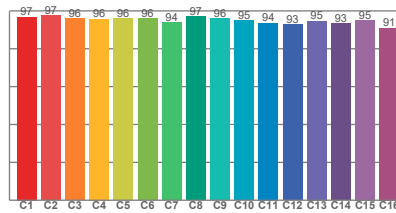
Delivered information for above fixture and LED combination.

Output: 1220 Lumen Peak intensity: 6582 cd Power consumption: 27.0

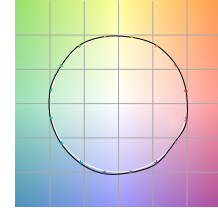
CRI R values



TM30 C Values

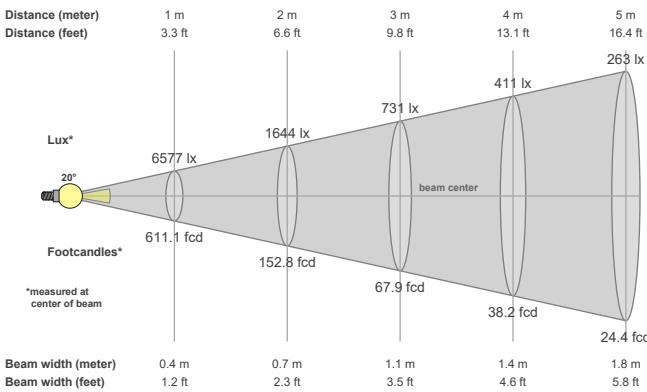


Color vector graphics



Color temperature	Color rendering index	Red component	Color fidelity	Color gamut	Color quality scale	Color coordinate cie 1931	Color coordinate cie 1931	Color coordinate	Color coordinate	Color deviation from black body
CCT	CRI	CRI R9	TM30 Rf	TM30 Rg	CQS	x	y	u	v	Δuv
2875 K	96.4	96.6	95.2	102.8	95.5	0.440	0.394	0.257	0.345	-0.0044

Beam details



Beam angels

Beam angle 50%	Field angle 10%	Cutoff angle 2,5%
19.9°	45.8°	58.3°

Beam intensities

Peak intensity	Int. ratio in 120° cone	Int. ratio in 90° cone
6582 cd	99.7%	99.3%

Beam intensities from 1-20m

1m	2m	3m	4m	5m	6m	7m	8m	9m	10m	11m	12m	13m	14m	15m	16m	17m	18m	19m	20m
3.3ft	6.6ft	9.8ft	13.1ft	16.4ft	19.7ft	23ft	26.2ft	29.5ft	32.8ft	36.1ft	39.4ft	42.7ft	45.9ft	49.2ft	52.5ft	55.8ft	59.1ft	62.3ft	65.6ft
6577lx	1644lx	731lx	411lx	263lx	183lx	134lx	103lx	81lx	66lx	54lx	46lx	39lx	34lx	29lx	26lx	23lx	20lx	18lx	16lx
611.1fcd	152.8fcd	67.9fcd	38.2fcd	24.4fcd	17fcd	12.5fcd	9.5fcd	7.5fcd	6.1fcd	5.1fcd	4.2fcd	3.6fcd	3.1fcd	2.7fcd	2.4fcd	2.1fcd	1.9fcd	1.7fcd	1.5fcd

The above information is for 3000K colour temperature, for specific module information please see LED spec located on our website

For information regarding other colour temperatures please use the following factors for lumen output and candelas:

2700K = 0.85

Light efficiency:

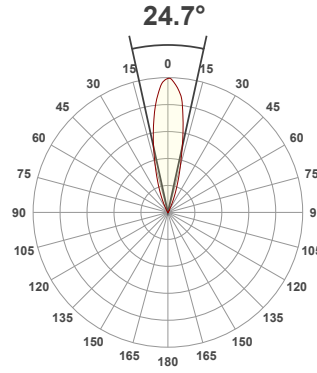
43 Lumen/Watt

Light quality:

CRI: 96.3

Color temperature:

2877 K



Product name:

300-LS-LED - LED71WD-3020-23

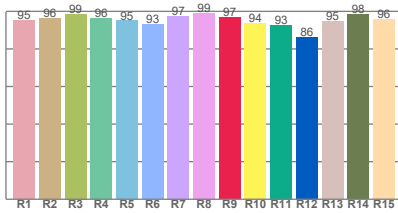
Item number:

Axis Midi Straight Snoot - LED71WD 3020-23 @ 1000mA

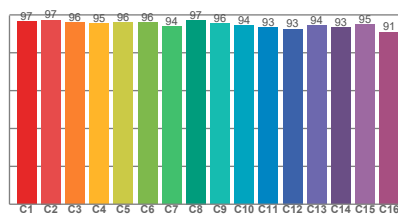
Delivered information for above fixture and LED combination.

Output: 1154 Lumen Peak intensity: 5178 cd Power consumption: 27.0

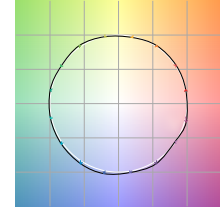
CRI R values



TM30 C Values

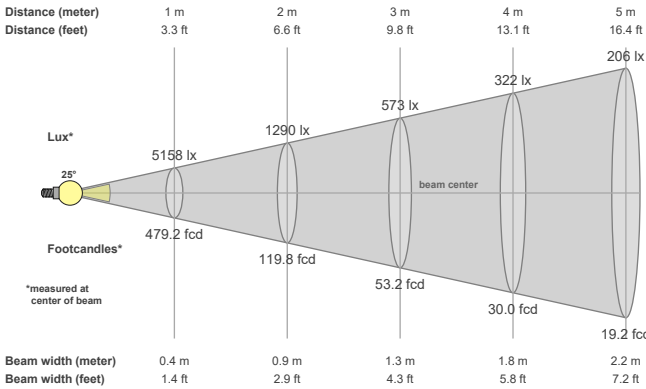


Color vector graphics



Color temperature	Color rendering index	Red component	Color fidelity	Color gamut	Color quality scale	Color coordinate cie 1931	Color coordinate cie 1931	Color coordinate	Color coordinate	Color deviation from black body
CCT	CRI	CRI R9	TM30 Rf	TM30 Rg	CQS	x	y	u	v	Δuv
2877 K	96.3	96.8	95.1	102.7	95.4	0.439	0.393	0.257	0.345	-0.0046

Beam details



Beam angels

Beam angle 50%	Field angle 10%	Cutoff angle 2,5%
24.7°	47°	59.1°

Beam intensities

Peak intensity	Int. ratio in 120° cone	Int. ratio in 90° cone
5178 cd	99.6%	99.1%

Beam intensities from 1-20m

1m	2m	3m	4m	5m	6m	7m	8m	9m	10m	11m	12m	13m	14m	15m	16m	17m	18m	19m	20m
3.3ft	6.6ft	9.8ft	13.1ft	16.4ft	19.7ft	23ft	26.2ft	29.5ft	32.8ft	36.1ft	39.4ft	42.7ft	45.9ft	49.2ft	52.5ft	55.8ft	59.1ft	62.3ft	65.6ft
5158lx	1290lx	573lx	322lx	206lx	143lx	105lx	81lx	64lx	52lx	43lx	36lx	31lx	26lx	23lx	20lx	18lx	16lx	14lx	13lx
479.2fcd	119.8fcd	53.2fcd	30fcd	19.2fcd	13.3fcd	9.8fcd	7.5fcd	5.9fcd	4.8fcd	4fcd	3.3fcd	2.8fcd	2.4fcd	2.1fcd	1.9fcd	1.7fcd	1.5fcd	1.3fcd	1.2fcd

The above information is for 3000K colour temperature, for specific module information please see LED spec located on our website

For information regarding other colour temperatures please use the following factors for lumen output and candelas:

2700K = 0.85

Light efficiency:

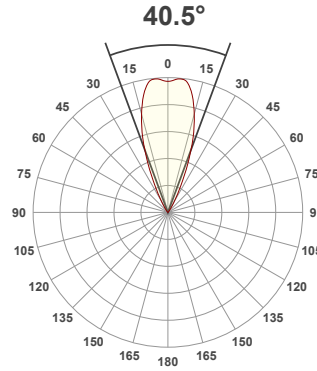
37 Lumen/Watt

Light quality:

CRI: 96.4

Color temperature:

2886 K



Product name:

300-LS-LED - LED71WD-3020-42

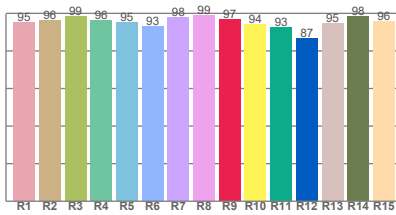
Item number:

Axis Midi Straight Snoot - LED71WD 3020-42 @ 1000mA

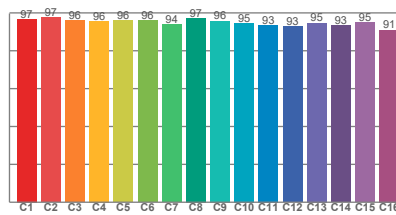
Delivered information for above fixture and LED combination.

Output: 998 Lumen Peak intensity: 2200 cd Power consumption: 27.0

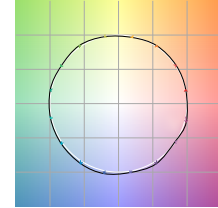
CRI R values



TM30 C Values

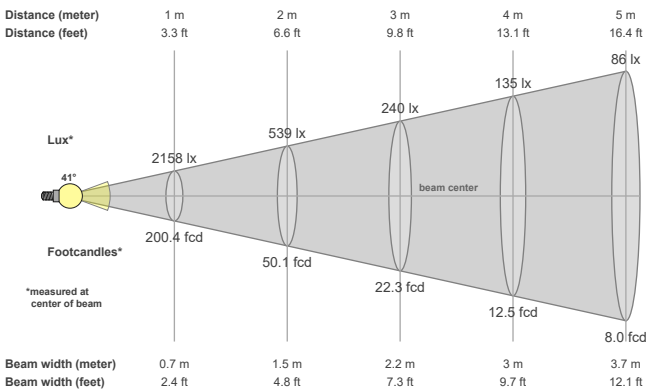


Color vector graphics



Color temperature	Color rendering index	Red component	Color fidelity	Color gamut	Color quality scale	Color coordinate cie 1931	Color coordinate cie 1931	Color coordinate	Color coordinate	Color deviation from black body
CCT	CRI	CRI R9	TM30 Rf	TM30 Rg	CQS	x	y	u	v	Δuv
2886 K	96.4	96.8	95.2	102.7	95.5	0.439	0.394	0.256	0.345	-0.0043

Beam details



Beam angels

Beam angle 50%	Field angle 10%	Cutoff angle 2,5%
40.5°	60.1°	73.3°

Beam intensities

Peak intensity	Int. ratio in 120° cone	Int. ratio in 90° cone
2200 cd	99.6%	99.0%

Beam intensities from 1-20m

1m	2m	3m	4m	5m	6m	7m	8m	9m	10m	11m	12m	13m	14m	15m	16m	17m	18m	19m	20m
3.3ft	6.6ft	9.8ft	13.1ft	16.4ft	19.7ft	23ft	26.2ft	29.5ft	32.8ft	36.1ft	39.4ft	42.7ft	45.9ft	49.2ft	52.5ft	55.8ft	59.1ft	62.3ft	65.6ft
2158lx	539lx	240lx	135lx	86lx	60lx	44lx	34lx	27lx	22lx	18lx	15lx	13lx	11lx	10lx	8lx	7lx	7lx	6lx	5lx
200.4fcd	50.1fcd	22.3fcd	12.5fcd	8fcd	5.6fcd	4.1fcd	3.1fcd	2.5fcd	2fcd	1.7fcd	1.4fcd	1.2fcd	1fcd	0.9fcd	0.8fcd	0.7fcd	0.6fcd	0.6fcd	0.5fcd

The above information is for 3000K colour temperature, for specific module information please see LED spec located on our website

For information regarding other colour temperatures please use the following factors for lumen output and candelas:

2700K = 0.85