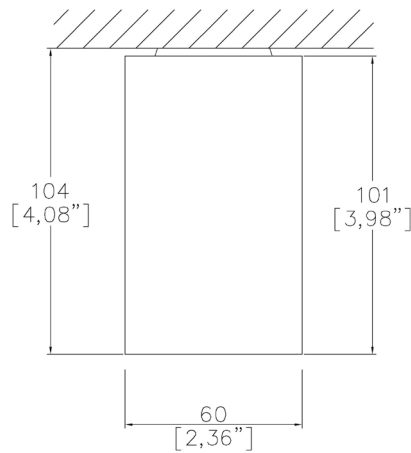


## Surface Mini Shallow Height



60mm (2.36") overall diameter. Miniature surface mounted tubular downlight. Remote installation driver. Family of matching products also available.



060-SM-SH

LED Source	LED	LED	LED	LED
CCT	3000K	3000K	3000K	3000K
Drive Current^	350mA	350mA	350mA	350mA
Power inc Driver	13.6W	13.6W	13.6W	13.6W
Beam Angle	12°	24°	38°	55°
Delivered Lumens	975	936	1049	997
Delivered Intensisty cd	13942	4668	2911	1324
Efficacy lm/w	66	63	71	73
Forward Volt	33V	33V	33V	33V
CRI	≥90 CRI	≥90 CRI	≥90 CRI	≥90 CRI

Project Ref: \_\_\_\_\_

Location Ref: \_\_\_\_\_

Fixture Order Code: 060-SM-SH - [ ] - [ ] - [ ] - [ ] - [ ]

Fixture  
060-SM-SH Surface Mini Shallow Height

Finish  
WH White  
BK Black  
RAL Custom RAL Colour\*

CCT  
27 2700K  
30 3000K  
40 4000K

Beam  
12 12°  
24 24°  
38 38°  
55 55°

Protocol  
S Non-Dim  
A Analogue (0-10v)  
P Phase  
D DALI  
B Bluetooth\*\*

Emergency  
E Maintained 3hr Emergency  
ED Maintained 3hr DALI Self Test  
ES Maintained 3hr Self Test



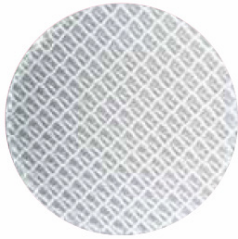
Honeycomb Louvre



Diffusing Lens



Frosted Lens



Heavy Spread Lens



Linear Spread Lens



Warm Tone

Accessories Order Code:

Louvre/Lens

- MN45 Honeycomb Louvre
- LLCC Warm Tone Lens
- LLUV UV Lens
- LLDF Diffusing Lens
- LLFR Frosted Lens
- LLLS Linear Spread Lens
- LLHS Heavy Spread Lens

Technical Details

\*Custom RAL code must be specified. Custom RAL colours can increase prices and lead times

Dimming. Whilst Lucent can offer the majority of its luminaires with various dimming options, it remains the responsibility of the specifier/installer to check and ensure compatibility of any control equipment used. Additional cabling may be required depending on the dimming protocol specified.

\*\*Bluetooth (wireless) is the communication method. The exact dimming protocol must be confirmed to allow the selection of suitable drivers or bluetooth devices.

^ Depth indicated is the minimum recess depth for the luminaire with a remote mounted LED driver. Installing a driver through either the luminaire cut-out or installation kit may require additional recess depth, please refer to the relevant luminaire installation instructions for further details. Data correct at time of publishing

First Fix Requirement. Luminaire comprised of fixture body with ceiling trim and installation kit, which is to be fitted into the ceiling once finished. Ensure correct alignment of the installation kit before final assembly (see luminaire installation instructions for details)

IP Rating. Tested from underside of the ceiling

It is the policy of Lucent Lighting to continually review and improve its products and therefore reserve the right to change any details of product or withdraw specifications without prior notice.

Luminaires designed to comply with EN60598 and all other standards.

This specification sheet superseded all previous versions.

All intellectual property rights pertaining to the product described above and to this document are owned by or licensed to Lucent Lighting Ltd.

We reserve the right to take whatever action is necessary to protect those intellectual property rights.

Please notify Lucent Lighting Ltd of any inaccuracies immediately. E&OE

**Light efficiency:**

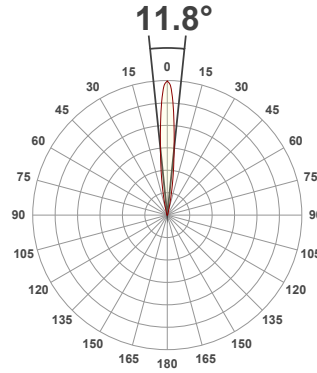
**66 Lumen/Watt**

**Light quality:**

**CRI: 92.3**

**Color temperature:**

**3000 K**



**Product name:**

**TubeLED Mini Surface Shallow  
3000K 12° 350mA**

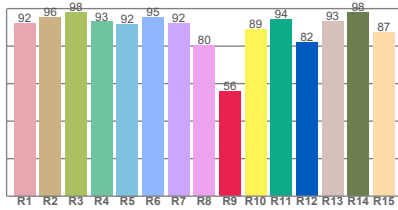
**Item number:**

**060-SM-SH-30-12-350mA**

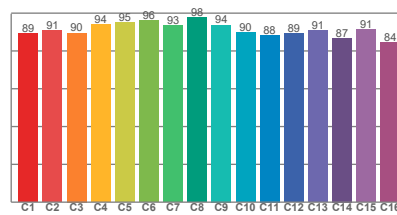
**Delivered information for  
above fixture and LED  
combination.**

**Output: 975 Lumen Peak intensity: 13942 cd Power consumption: 14.8**

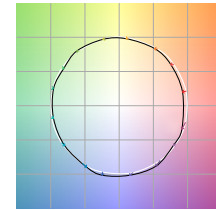
**CRI R values**



**TM30 C Values**

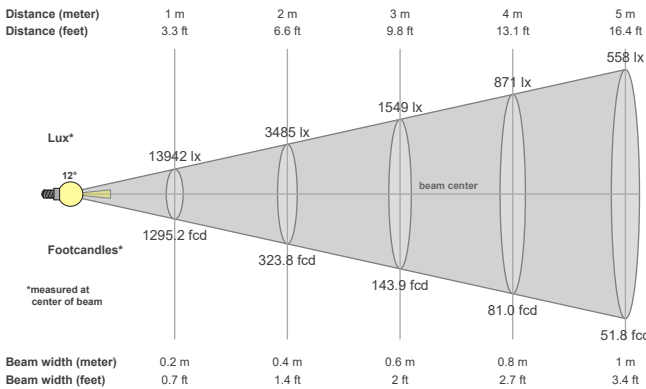


**Color vector graphics**



Color temperature	Color rendering index	Red component	Color fidelity	Color gamut	Color quality scale	Color coordinate cie 1931	Color coordinate cie 1931	Color coordinate	Color coordinate	Color deviation from black body
CCT	CRI	CRI R9	TM30 Rf	TM30 Rg	CQS	x	y	u	v	Δuv
3000 K	92.3	56.0	91.1	98.4	90.7	0.437	0.404	0.260	0.352	0.0013

**Beam details**



**Beam angles**

Beam angle 50%	Field angle 10%	Cutoff angle 2,5%
11.8°	25°	35.5°

**Beam intensities**

Peak intensity	Int. ratio in 120° cone	Int. ratio in 90° cone
13942 cd	99.2%	98.4%

**Beam intensities from 1-20m**

1m	2m	3m	4m	5m	6m	7m	8m	9m	10m	11m	12m	13m	14m	15m	16m	17m	18m	19m	20m
3.3ft	6.6ft	9.8ft	13.1ft	16.4ft	19.7ft	23ft	26.2ft	29.5ft	32.8ft	36.1ft	39.4ft	42.7ft	45.9ft	49.2ft	52.5ft	55.8ft	59.1ft	62.3ft	65.6ft
13942lx	3485lx	1549lx	871lx	558lx	387lx	285lx	218lx	172lx	139lx	115lx	97lx	82lx	71lx	62lx	54lx	48lx	43lx	39lx	35lx
1295.2fcd	323.8fcd	143.9fcd	81fcd	51.8fcd	36fcd	26.4fcd	20.2fcd	16fcd	13fcd	10.7fcd	9fcd	7.7fcd	6.6fcd	5.8fcd	5.1fcd	4.5fcd	4fcd	3.6fcd	3.2fcd

The above information is for 3000K colour temperature, for specific module information please see LED spec located on our website

For information regarding other colour temperatures please use the following factors for lumen output and candelas:

2700K = 1  
4000K = 1.084

**Light efficiency:**

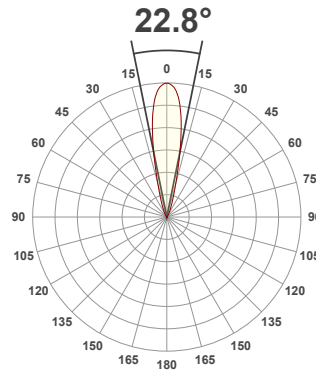
**63 Lumen/Watt**

**Light quality:**

**CRI: 92.3**

**Color temperature:**

**3000 K**



**Product name:**

**TubeLED Mini Surface Shallow  
3000K 24° 350mA**

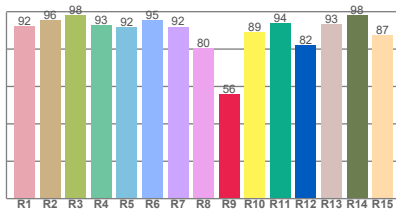
**Item number:**

**060-SM-SH-30-24-350mA**

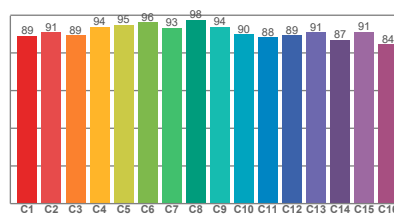
**Delivered information for  
above fixture and LED  
combination.**

**Output: 936 Lumen Peak intensity: 4668 cd Power consumption: 14.8**

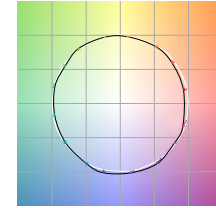
**CRI R values**



**TM30 C Values**

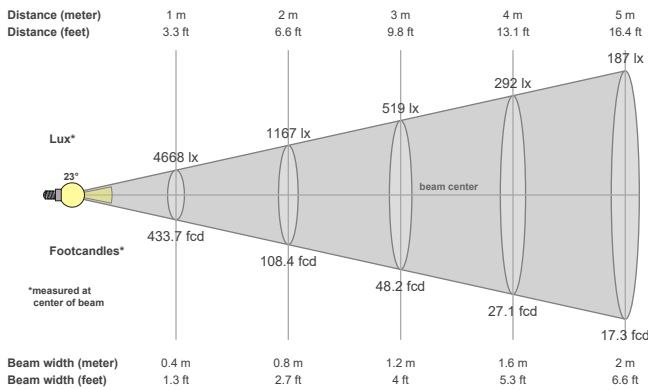


**Color vector graphics**



Color temperature	Color rendering index	Red component	Color fidelity	Color gamut	Color quality scale	Color coordinate cie 1931	Color coordinate cie 1931	Color coordinate	Color coordinate	Color deviation from black body
CCT	CRI	CRI R9	TM30 Rf	TM30 Rg	CQS	x	y	u	v	Δuv
3000 K	92.3	56.1	91.1	98.4	90.7	0.437	0.404	0.260	0.352	0.0011

**Beam details**



**Beam angles**

Beam angle 50%	Field angle 10%	Cutoff angle 2,5%
22.8°	42.1°	63.8°

**Beam intensities**

Peak intensity	Int. ratio in 120° cone	Int. ratio in 90° cone
4668 cd	99.5%	98.3%

**Beam intensities from 1-20m**

1m	2m	3m	4m	5m	6m	7m	8m	9m	10m	11m	12m	13m	14m	15m	16m	17m	18m	19m	20m
3.3ft	6.6ft	9.8ft	13.1ft	16.4ft	19.7ft	23ft	26.2ft	29.5ft	32.8ft	36.1ft	39.4ft	42.7ft	45.9ft	49.2ft	52.5ft	55.8ft	59.1ft	62.3ft	65.6ft
4668lx	1167lx	519lx	292lx	187lx	130lx	95lx	73lx	58lx	47lx	39lx	32lx	28lx	24lx	21lx	18lx	16lx	14lx	13lx	12lx
433.7fcd	108.4fcd	48.2fcd	27.1fcd	17.3fcd	12fcd	8.9fcd	6.8fcd	5.4fcd	4.3fcd	3.6fcd	3fcd	2.6fcd	2.2fcd	1.9fcd	1.7fcd	1.5fcd	1.3fcd	1.2fcd	1.1fcd

The above information is for 3000K colour temperature, for specific module information please see LED spec located on our website

For information regarding other colour temperatures please use the following factors for lumen output and candelas:

2700K = 1  
4000K = 1.084

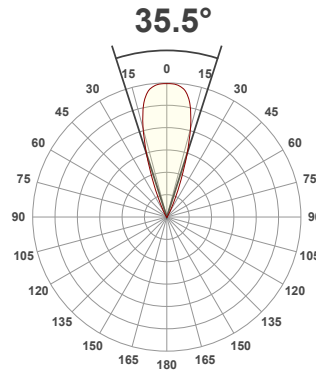
**Light efficiency:**



**Light quality:**



**Color temperature:**



**Product name:**

**TubeLED Mini Surface Shallow  
3000K 38° 350mA**

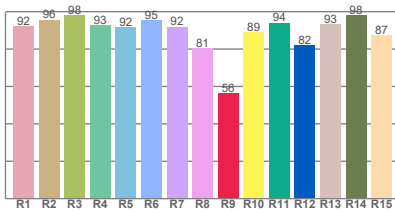
**Item number:**

**060-SM-SH-30-38-350mA**

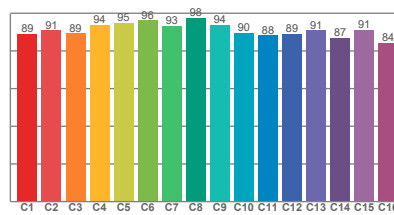
**Delivered information for  
above fixture and LED  
combination.**

**Output: 1049 Lumen Peak intensity: 2911 cd Power consumption: 14.8**

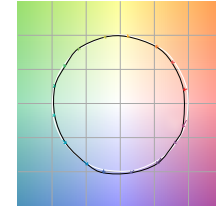
**CRI R values**



**TM30 C Values**

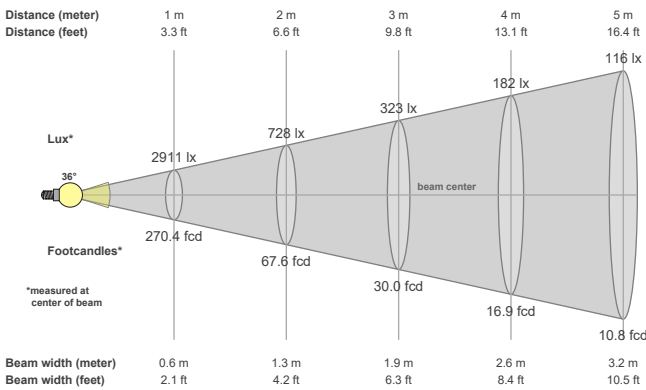


**Color vector graphics**



Color temperature	Color rendering index	Red component	Color fidelity	Color gamut	Color quality scale	Color coordinate cie 1931	Color coordinate cie 1931	Color coordinate	Color coordinate	Color deviation from black body
CCT	CRI	CRI R9	TM30 Rf	TM30 Rg	CQS	x	y	u	v	Δuv
3000 K	92.4	56.3	91.1	98.4	90.7	0.437	0.404	0.260	0.352	0.0011

**Beam details**



**Beam angles**

Beam angle 50%	Field angle 10%	Cutoff angle 2,5%
35.5°	52.5°	67.7°

**Beam intensities**

Peak intensity	Int. ratio in 120° cone	Int. ratio in 90° cone
2911 cd	99.3%	98.5%

**Beam intensities from 1-20m**

1m	2m	3m	4m	5m	6m	7m	8m	9m	10m	11m	12m	13m	14m	15m	16m	17m	18m	19m	20m
3.3ft	6.6ft	9.8ft	13.1ft	16.4ft	19.7ft	23ft	26.2ft	29.5ft	32.8ft	36.1ft	39.4ft	42.7ft	45.9ft	49.2ft	52.5ft	55.8ft	59.1ft	62.3ft	65.6ft
2911lx	728lx	323lx	182lx	116lx	81lx	59lx	45lx	36lx	29lx	24lx	20lx	17lx	15lx	13lx	11lx	10lx	9lx	8lx	7lx
270.4fcd	67.6fcd	30fcd	16.9fcd	10.8fcd	7.5fcd	5.5fcd	4.2fcd	3.3fcd	2.7fcd	2.2fcd	1.9fcd	1.6fcd	1.4fcd	1.2fcd	1.1fcd	0.9fcd	0.8fcd	0.7fcd	0.7fcd

The above information is for 3000K colour temperature, for specific module information please see LED spec located on our website

For information regarding other colour temperatures please use the following factors for lumen output and candelas:

2700K = 1  
4000K = 1.084

**Light efficiency:**

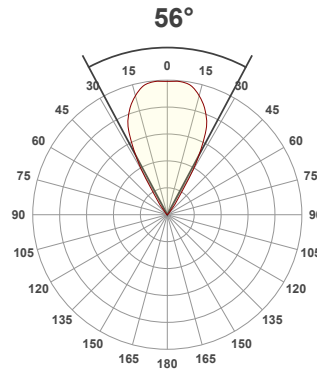
**73 Lumen/Watt**

**Light quality:**

**CRI: 91.7**

**Color temperature:**

**3000 K**



**Product name:**

**TubeLED Mini Surface Shallow  
3000K 55° 350mA**

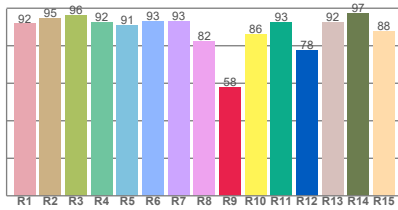
**Item number:**

**060-SM-SH-30-55-350mA**

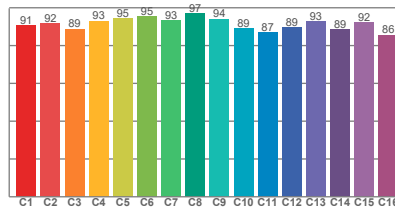
**Delivered information for  
above fixture and LED  
combination.**

**Output: 997 Lumen Peak intensity: 1324 cd Power consumption: 13.6**

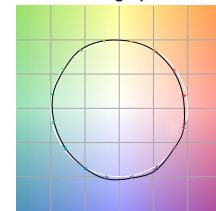
**CRI R values**



**TM30 C Values**

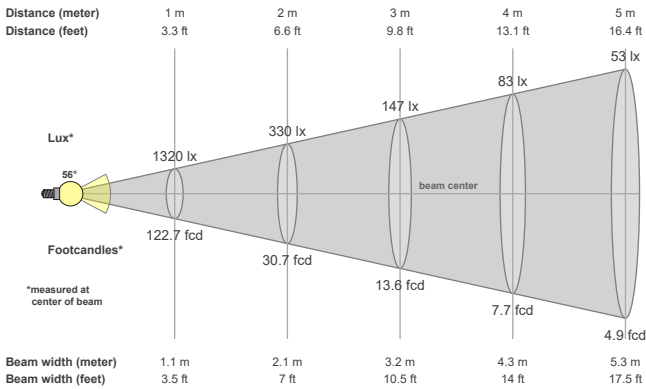


**Color vector graphics**



Color temperature	Color rendering index	Red component	Color fidelity	Color gamut	Color quality scale	Color coordinate cie 1931	Color coordinate cie 1931	Color coordinate	Color coordinate	Color deviation from black body
CCT	CRI	CRI R9	TM30 Rf	TM30 Rg	CQS	x	y	u	v	Δuv
3000 K	91.7	58.0	91.3	99.3	90.2	0.437	0.404	0.251	0.348	0.0008

**Beam details**



**Beam angels**

Beam angle 50%	Field angle 10%	Cutoff angle 2,5%
56°	72°	85.3°

**Beam intensities**

Peak intensity	Int. ratio in 120° cone	Int. ratio in 90° cone
1324 cd	99.7%	98.7%

**Beam intensities from 1-20m**

1m	2m	3m	4m	5m	6m	7m	8m	9m	10m	11m	12m	13m	14m	15m	16m	17m	18m	19m	20m
3.3ft	6.6ft	9.8ft	13.1ft	16.4ft	19.7ft	23ft	26.2ft	29.5ft	32.8ft	36.1ft	39.4ft	42.7ft	45.9ft	49.2ft	52.5ft	55.8ft	59.1ft	62.3ft	65.6ft
1320lx	330lx	147lx	83lx	53lx	37lx	27lx	21lx	16lx	13lx	11lx	9lx	8lx	7lx	6lx	5lx	5lx	4lx	4lx	3lx
122.7fcd	30.7fcd	13.6fcd	7.7fcd	4.9fcd	3.4fcd	2.5fcd	1.9fcd	1.5fcd	1.2fcd	1fcd	0.9fcd	0.7fcd	0.6fcd	0.5fcd	0.5fcd	0.4fcd	0.4fcd	0.3fcd	0.3fcd

The above information is for 3000K colour temperature, for specific module information please see LED spec located on our website

For information regarding other colour temperatures please use the following factors for lumen output and candelas:

2700K = 1  
4000K = 1.084