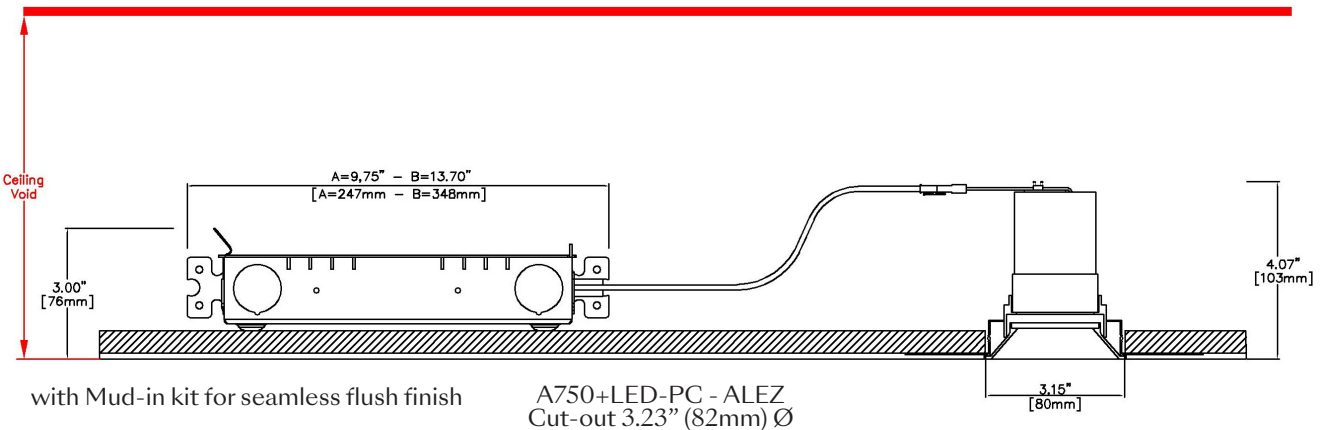
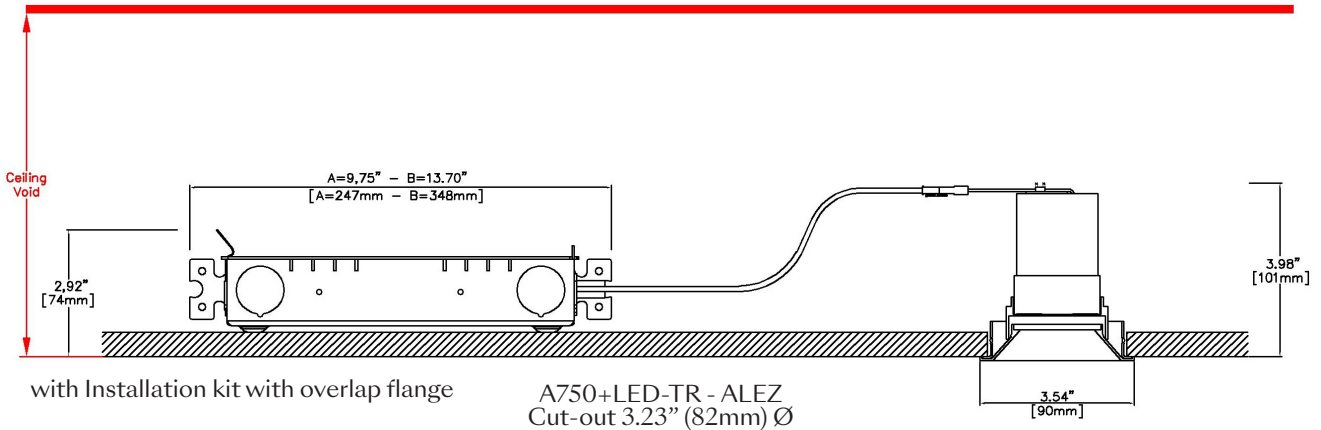


EasyFit PlusMini Fixed



3.54" (90mm) overall flange diameter. 3.15" (80mm) overall trimless diameter. Available with a separate installation kit with overlap flange or mud-in kit for seamless flush finish. Adjustable and wallwash version available. Supplied with a remote driver box and a plug and play tethered power supply. Also for mounting to T-Bar on grid ceilings.



LED Source	LED51/2	LED51/2	LED51/2	LED51/2	LED51/U	LED51/U	LED51/U	LED51/U
CCT	3000K	3000K	3000K	3000K	3000K	3000K	3000K	3000K
Drive Current	350mA	350mA	350mA	350mA	350mA	350mA	350mA	350mA
Power inc Driver	13.6W	13.6W	13.6W	13.6W	13.6W	13.6W	13.6W	13.6W
Beam Angle	12°	24°	38°	55°	12°	24°	38°	55°
Delivered Lumens	878	923	1025	1036	767	775	909	864
Delivered Intensisty cd	10787	4735	2739	1213	10038	4109	1934	1024
Efficacy lm/w	65	68	75	76	56	57	67	63
Forward Volt	33V	33V	33V	33V	33V	33V	33V	33V
CRI	≥90 CRI	≥90 CRI	≥90 CRI	≥90 CRI	≥98 CRI	≥98 CRI	≥98 CRI	≥98 CRI

Ceiling void minimum depth: Driver box A - 11.00" (280mm) / Driver box B - 14.96" (380mm)

Project Ref: _____

Location Ref: _____

Specify fixture part number (All boxes must be filled in to correctly order)

A750+LED								ALEZ			
----------	--	--	--	--	--	--	--	------	--	--	--

Installation _____

- TR** Installation kit with overlap flange
- PC** Mud-in kit for seamless flush finish

Finish _____

- WH** White
- BK** Black
- RAL** Custom*

Location _____

- XX** Dry
- DP** Damp
- WT** Wet

Ceiling Thickness _____

- SC** Standard Ceiling (1/2"-5/8"-3/4")
- C** Custom

LED Type _____

- LED51/2** LED51/2 (90CRI)
- LED51/U** LED51/U (98CRI - Not available with 4000K)

CCT _____

- 27** 2700K
- 30** 3000K
- 35** 3500K
- 40** 4000K (90 CRI ONLY)

Beam Angles _____

- 12** 12
- 24** 24
- 38** 38
- 55** 55

EasyFit _____

- ALEZ** Lucent EasyFit

Supply Voltage _____

- 120** 120V
- 277** 277V

Dimming Protocol _____

- S** Non-Dimmable (Driver Box A - 9.75")
- P** TRIAC/Phase (120V ONLY) (Driver Box A - 9.75")
- LPE** Lutron Hi-Lume Premier 0.1% EcoSystem (Driver Box A - 9.75")
- A** Analog (0-10V) (Driver Box A - 9.75")
- ESD** EldoLED Solo DALI (0.1% Dimming) (Driver Box B - 13.70")
- EED** EldoLED Eco DALI (1% Dimming) (Driver Box B - 13.70")
- ESA** EldoLED Solo Analog (0-10V) (0.1% Dimming) (Driver Box B - 13.70")
- EEA** EldoLED Eco Analog (0-10V) (1% Dimming) (Driver Box B - 13.70")

Louvre/Lens _____

- XX** Not required
- LL45** Honeycomb
- LLCC** Warm Tone
- LLUV** UV
- LLDF** Solite/Diffusing
- LLFR** Frosted Lens
- LLLS** Linear Spread
- LLHS** Heavy Spread

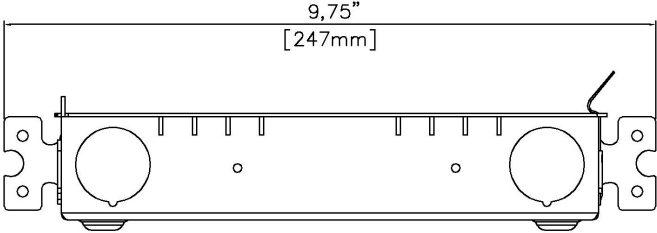
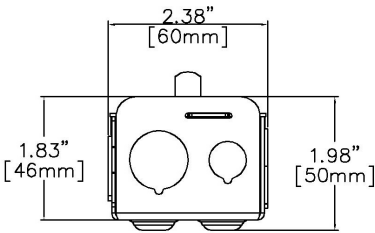


NIC - No contact with insulation

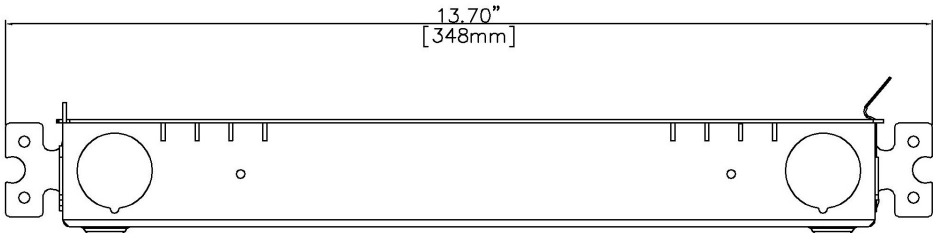
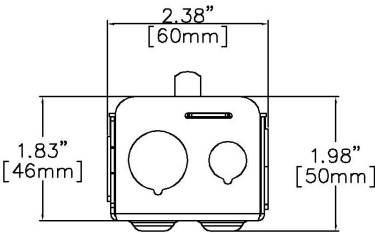
Ceiling void minimum depth: Driver box A - 11.00" (280mm) / Driver box B - 14.96" (380mm)

Driver Boxes

Driver Box A



Driver Box B

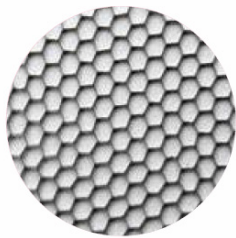


Installation kit with overlap flange

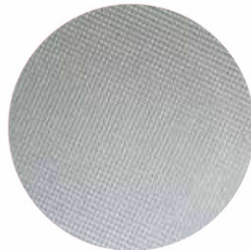


Mud-in kit for seamless flush finish

Ceiling void minimum depth: Driver box A - 11.00" (280mm) / Driver box B - 14.96" (380mm)



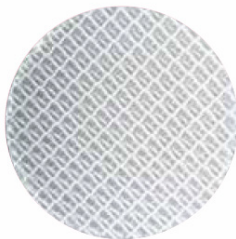
Honeycomb Louvre (LL45)



Solite/Diffusing Lens (LLDF)



Frosted Lens (LLFR)



Heavy Spread Lens (LLHS)



Linear Spread Lens (LLLS)



Warm Tone (LLCC)

.....
Technical Details

*Custom RAL code must be specified. Custom RAL colours can increase prices and lead times

Dimming. Whilst Lucent can offer the majority of its luminaires with various dimming options, it remains the responsibility of the specifier/installer to check and ensure compatibility of any control equipment used. Additional cabling may be required depending on the dimming protocol specified.

**Bluetooth (wireless) is the communication method. The exact dimming protocol must be confirmed to allow the selection of suitable drivers or bluetooth devices.

^ Depth indicated is the minimum recess depth for the luminaire with a remote mounted LED driver. Installing a driver through either the luminaire cut-out or installation kit may require additional recess depth, please refer to the relevant luminaire installation instructions for further details. Data correct at time of publishing

First Fix Requirement. Luminaire comprised of fixture body with ceiling trim and installation kit, which is to be fitted into the ceiling once finished. Ensure correct alignment of the installation kit before final assembly (see luminaire installation instructions for details)

Location. Tested from underside of the ceiling

It is the policy of Lucent Lighting to continually review and improve its products and therefore reserve the right to change any details of product or withdraw specifications without prior notice.

This specification sheet supersedes all previous versions.

All intellectual property rights pertaining to the product described above and to this document are owned by or licensed to Lucent Lighting Ltd.

We reserve the right to take whatever action is necessary to protect those intellectual property rights.

Please notify Lucent Lighting Ltd of any inaccuracies immediately. E&OE



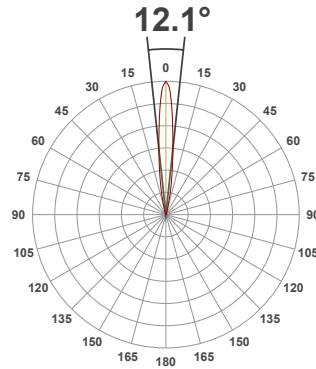
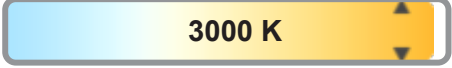
Light efficiency:



Light quality:



Color temperature:



Product name:

Plus Mini Fixed/Accent - LED50 ONE GEN2, 3000K, 12°, 350mA

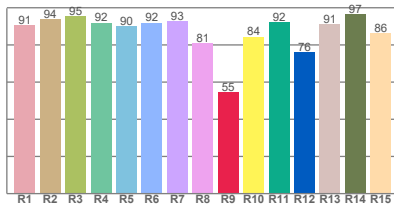
Item number:

750/753+LED51/2-30-12-350mA

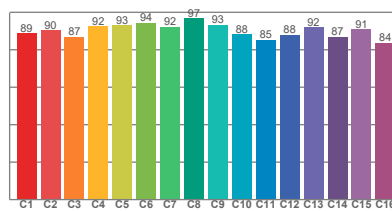
Delivered information for above fixture and LED combination.

Output: 878 Lumen Peak intensity: 10787 cd Power consumption: 13.6

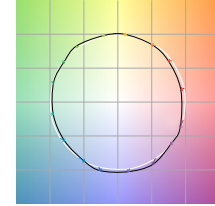
CRI R values



TM30 C Values

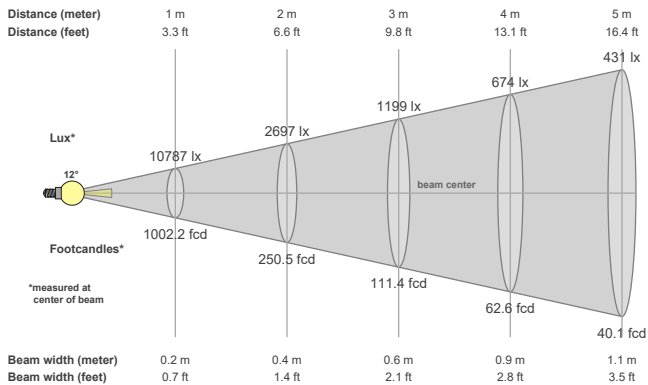


Color vector graphics



Color temperature	Color rendering index	Red component	Color fidelity	Color gamut	Color quality scale	Color coordinate cie 1931	Color coordinate cie 1931	Color coordinate	Color coordinate	Color deviation from black body
CCT	CRI	CRI R9	TM30 Rf	TM30 Rg	CQS	x	y	u	v	Δuv
3000 K	91.0	54.6	90.0	99.2	89.9	0.437	0.404	0.251	0.349	0.0016

Beam details



Beam angles

Beam angle 50%	Field angle 10%	Cutoff angle 2,5%
12.1°	26.2°	38.8°

Beam intensities

Peak intensity	Int. ratio in 120° cone	Int. ratio in 90° cone
10787 cd	99.2%	96.5%

Beam intensities from 1-20m

1m	2m	3m	4m	5m	6m	7m	8m	9m	10m	11m	12m	13m	14m	15m	16m	17m	18m	19m	20m
3.3ft	6.6ft	9.8ft	13.1ft	16.4ft	19.7ft	23ft	26.2ft	29.5ft	32.8ft	36.1ft	39.4ft	42.7ft	45.9ft	49.2ft	52.5ft	55.8ft	59.1ft	62.3ft	65.6ft
10787lx	2697lx	1199lx	674lx	431lx	300lx	220lx	169lx	133lx	108lx	89lx	75lx	64lx	55lx	48lx	42lx	37lx	33lx	30lx	27lx
1002.2fcd	250.5fcd	111.4fcd	62.6fcd	40.1fcd	27.8fcd	20.5fcd	15.7fcd	12.4fcd	10fcd	8.3fcd	7fcd	5.9fcd	5.1fcd	4.5fcd	3.9fcd	3.5fcd	3.1fcd	2.8fcd	2.5fcd

The above information is for 3000K colour temperature, for specific module information please see LED spec located on our website

For information regarding other colour temperatures please use the following factors for lumen output and candelas:

- 2700K = 1
- 3500K = 1
- 4000K = 1.084

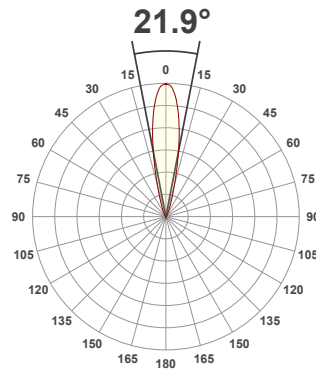
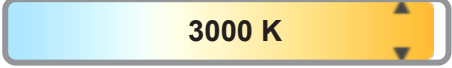
Light efficiency:



Light quality:



Color temperature:



Product name:

Plus Mini Fixed/Accent - LED50 ONE GEN2, 3000K, 24°, 350mA

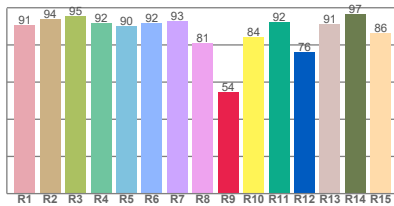
Item number:

750/753+LED51/2-30-24-350mA

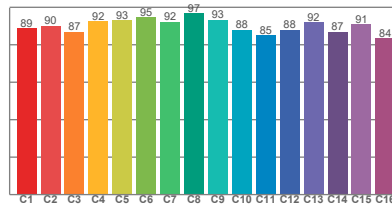
Delivered information for above fixture and LED combination.

Output: 923 Lumen Peak intensity: 4735 cd Power consumption: 13.6

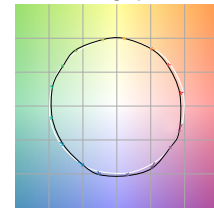
CRI R values



TM30 C Values

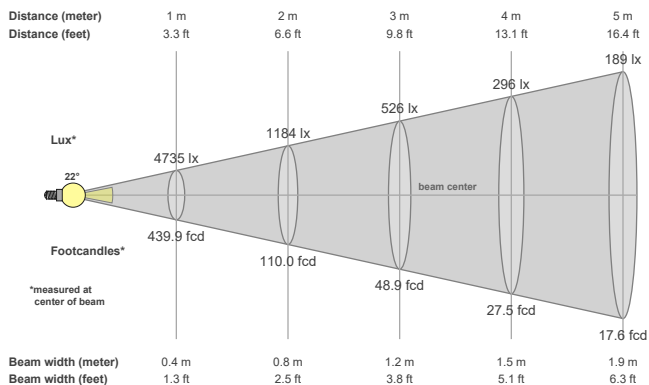


Color vector graphics



Color temperature	Color rendering index	Red component	Color fidelity	Color gamut	Color quality scale	Color coordinate cie 1931	Color coordinate cie 1931	Color coordinate	Color coordinate	Color deviation from black body
CCT	CRI	CRI R9	TM30 Rf	TM30 Rg	CQS	x	y	u	v	Δuv
3000 K	90.9	54.4	90.0	99.1	89.8	0.437	0.404	0.251	0.349	0.0017

Beam details



Beam angles

Beam angle 50%	Field angle 10%	Cutoff angle 2,5%
21.9°	40.8°	62.4°

Beam intensities

Peak intensity	Int. ratio in 120° cone	Int. ratio in 90° cone
4735 cd	99.3%	96.5%

Beam intensities from 1-20m

1m	2m	3m	4m	5m	6m	7m	8m	9m	10m	11m	12m	13m	14m	15m	16m	17m	18m	19m	20m
3.3ft	6.6ft	9.8ft	13.1ft	16.4ft	19.7ft	23ft	26.2ft	29.5ft	32.8ft	36.1ft	39.4ft	42.7ft	45.9ft	49.2ft	52.5ft	55.8ft	59.1ft	62.3ft	65.6ft
4735lx	1184lx	526lx	296lx	189lx	132lx	97lx	74lx	58lx	47lx	39lx	33lx	28lx	24lx	21lx	18lx	16lx	15lx	13lx	12lx
439.9fcd	110fcd	48.9fcd	27.5fcd	17.6fcd	12.2fcd	9fcd	6.9fcd	5.4fcd	4.4fcd	3.6fcd	3.1fcd	2.6fcd	2.2fcd	2fcd	1.7fcd	1.5fcd	1.4fcd	1.2fcd	1.1fcd

The above information is for 3000K colour temperature, for specific module information please see LED spec located on our website

For information regarding other colour temperatures please use the following factors for lumen output and candelas:

- 2700K = 1
- 3500K = 1
- 4000K = 1.084

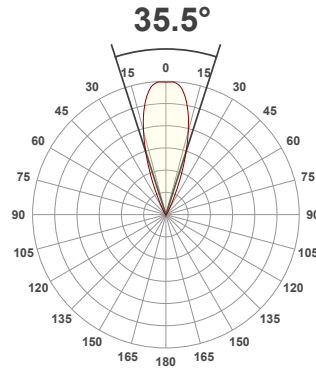
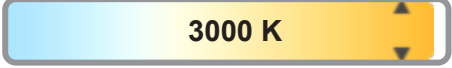
Light efficiency:



Light quality:



Color temperature:



Product name:

Plus Mini Fixed/Accent - LED50 ONE GEN2, 3000K, 38°, 350mA

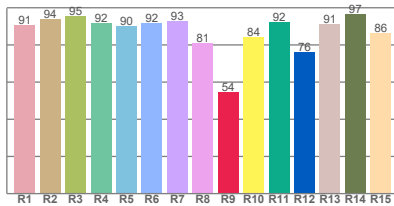
Item number:

750/753+LED51/2-30-38-350mA

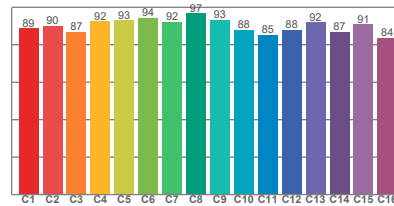
Delivered information for above fixture and LED combination.

Output: 1025 Lumen Peak intensity: 2739 cd Power consumption: 13.6

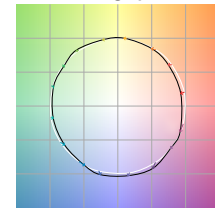
CRI R values



TM30 C Values

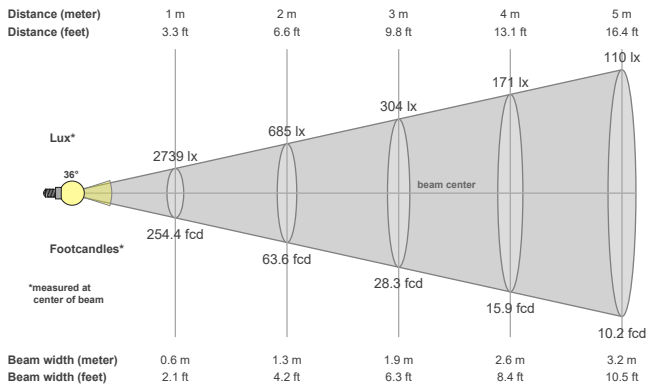


Color vector graphics



Color temperature	Color rendering index	Red component	Color fidelity	Color gamut	Color quality scale	Color coordinate cie 1931	Color coordinate cie 1931	Color coordinate	Color coordinate	Color deviation from black body
CCT	CRI	CRI R9	TM30 Rf	TM30 Rg	CQS	x	y	u	v	Δuv
3000 K	90.9	54.4	90.0	99.2	89.8	0.437	0.404	0.251	0.349	0.0017

Beam details



Beam angles

Beam angle 50%	Field angle 10%	Cutoff angle 2,5%
35.5°	54.1°	72.5°

Beam intensities

Peak intensity	Int. ratio in 120° cone	Int. ratio in 90° cone
2739 cd	99.5%	97.6%

Beam intensities from 1-20m

1m	2m	3m	4m	5m	6m	7m	8m	9m	10m	11m	12m	13m	14m	15m	16m	17m	18m	19m	20m
3.3ft	6.6ft	9.8ft	13.1ft	16.4ft	19.7ft	23ft	26.2ft	29.5ft	32.8ft	36.1ft	39.4ft	42.7ft	45.9ft	49.2ft	52.5ft	55.8ft	59.1ft	62.3ft	65.6ft
2739lx	685lx	304lx	171lx	110lx	76lx	56lx	43lx	34lx	27lx	23lx	19lx	16lx	14lx	12lx	11lx	9lx	8lx	8lx	7lx
254.4fcd	63.6fcd	28.3fcd	15.9fcd	10.2fcd	7.1fcd	5.2fcd	4fcd	3.1fcd	2.5fcd	2.1fcd	1.8fcd	1.5fcd	1.3fcd	1.1fcd	1fcd	0.9fcd	0.8fcd	0.7fcd	0.6fcd

The above information is for 3000K colour temperature, for specific module information please see LED spec located on our website

For information regarding other colour temperatures please use the following factors for lumen output and candelas:

- 2700K = 1
- 3500K = 1
- 4000K = 1.084

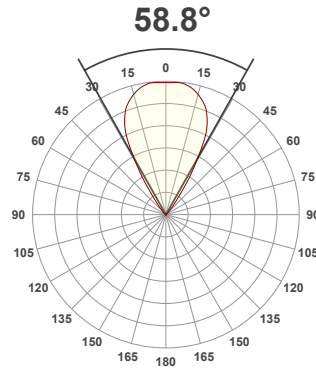
Light efficiency:



Light quality:



Color temperature:



Product name:

Plus Mini Fixed/Accent - LED50 ONE GEN2, 3000K, 55°, 350mA

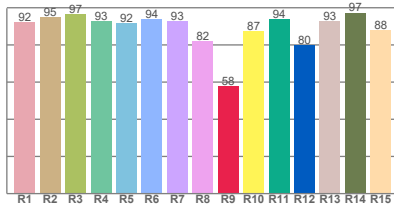
Item number:

750/753+LED51/2-30-55-350mA

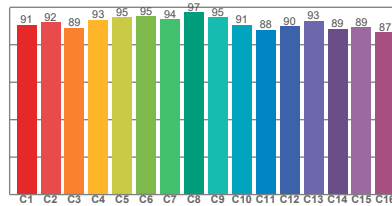
Delivered information for above fixture and LED combination.

Output: 1036 Lumen Peak intensity: 1213 cd Power consumption: 13.6

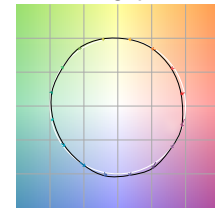
CRI R values



TM30 C Values

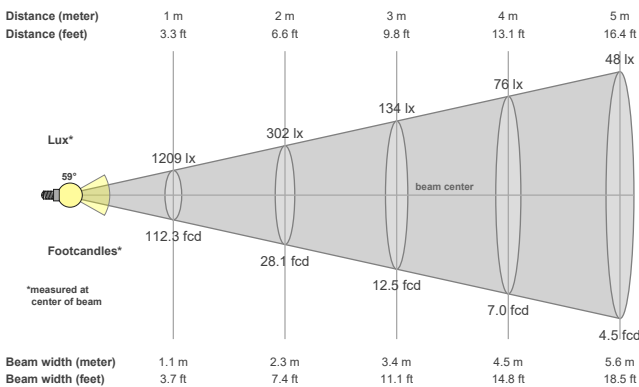


Color vector graphics



Color temperature	Color rendering index	Red component	Color fidelity	Color gamut	Color quality scale	Color coordinate cie 1931	Color coordinate cie 1931	Color coordinate	Color coordinate	Color deviation from black body
CCT	CRI	CRI R9	TM30 Rf	TM30 Rg	CQS	x	y	u	v	Δuv
3000 K	92.1	57.7	91.6	99.7	90.5	0.437	0.404	0.250	0.348	0.0006

Beam details



Beam angels

Beam angle 50%	Field angle 10%	Cutoff angle 2,5%
58.8°	77.7°	92.6°

Beam intensities

Peak intensity	Int. ratio in 120° cone	Int. ratio in 90° cone
1213 cd	99.3%	97.6%

Beam intensities from 1-20m

1m	2m	3m	4m	5m	6m	7m	8m	9m	10m	11m	12m	13m	14m	15m	16m	17m	18m	19m	20m
3.3ft	6.6ft	9.8ft	13.1ft	16.4ft	19.7ft	23ft	26.2ft	29.5ft	32.8ft	36.1ft	39.4ft	42.7ft	45.9ft	49.2ft	52.5ft	55.8ft	59.1ft	62.3ft	65.6ft
1209lx	302lx	134lx	76lx	48lx	34lx	25lx	19lx	15lx	12lx	10lx	8lx	7lx	6lx	5lx	5lx	4lx	4lx	3lx	3lx
112.3fcd	28.1fcd	12.5fcd	7fcd	4.5fcd	3.1fcd	2.3fcd	1.8fcd	1.4fcd	1.1fcd	0.9fcd	0.8fcd	0.7fcd	0.6fcd	0.5fcd	0.4fcd	0.4fcd	0.3fcd	0.3fcd	0.3fcd

The above information is for 3000K colour temperature, for specific module information please see LED spec located on our website

For information regarding other colour temperatures please use the following factors for lumen output and candelas:

- 2700K = 1
- 3500K = 1
- 4000K = 1.084

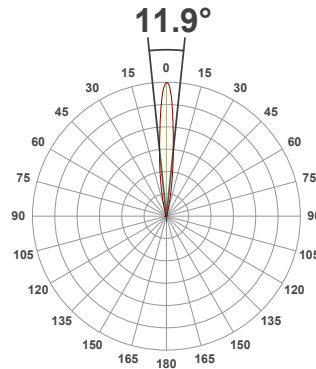
Light efficiency:



Light quality:



Color temperature:



Product name:

**750/753+LED -
LED51_U-30-12-350mA**

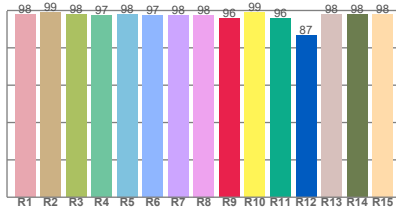
Item number:

**Plus Mini Fixed/Accent -
LED51_U-30-12-350mA**

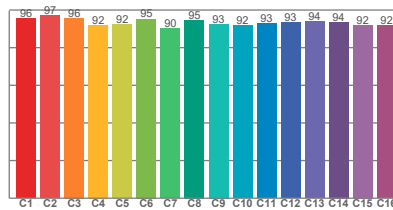
**Delivered information for above
fixture and LED combination.**

Output: 767 Lumen Peak intensity: 10038 cd Power consumption: 13.6

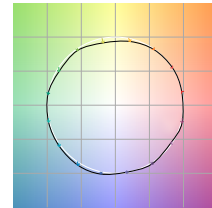
CRI R values



TM30 C Values

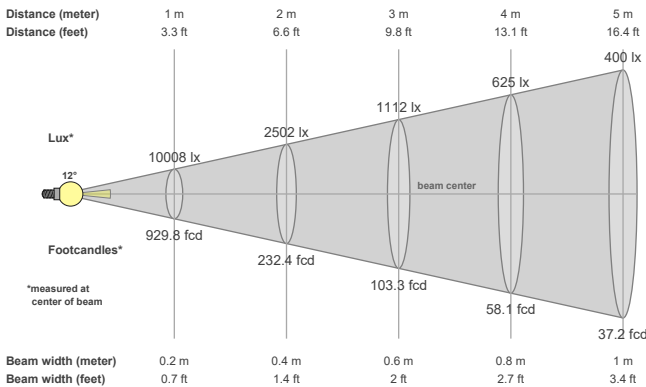


Color vector graphics



Color temperature	Color rendering index	Red component	Color fidelity	Color gamut	Color quality scale	Color coordinate cie 1931	Color coordinate cie 1931	Color coordinate	Color coordinate	Color deviation from black body
CCT	CRI	CRI R9	TM30 Rf	TM30 Rg	CQS	x	y	u	v	Δuv
3000 K	97.8	95.8	93.6	98.7	94.8	0.437	0.404	0.249	0.349	0.0016

Beam details



Beam angles

Beam angle 50%	Field angle 10%	Cutoff angle 2,5%
11.9°	25.8°	36.3°

Beam intensities

Peak intensity	Int. ratio in 120° cone	Int. ratio in 90° cone
10038 cd	98.9%	96.6%

Beam intensities from 1-20m

1m	2m	3m	4m	5m	6m	7m	8m	9m	10m	11m	12m	13m	14m	15m	16m	17m	18m	19m	20m
3.3ft	6.6ft	9.8ft	13.1ft	16.4ft	19.7ft	23ft	26.2ft	29.5ft	32.8ft	36.1ft	39.4ft	42.7ft	45.9ft	49.2ft	52.5ft	55.8ft	59.1ft	62.3ft	65.6ft
10008lx	2502lx	1112lx	625lx	400lx	278lx	204lx	156lx	124lx	100lx	83lx	69lx	59lx	51lx	44lx	39lx	35lx	31lx	28lx	25lx
929.8fcd	232.4fcd	103.3fcd	58.1fcd	37.2fcd	25.8fcd	19fcd	14.5fcd	11.5fcd	9.3fcd	7.7fcd	6.5fcd	5.5fcd	4.7fcd	4.1fcd	3.6fcd	3.2fcd	2.9fcd	2.6fcd	2.3fcd

The above information is for 3000K colour temperature, for specific module information please see LED spec located on our website

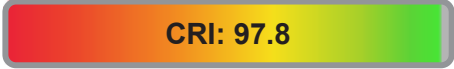
For information regarding other colour temperatures please use the following factors for lumen output and candelas:

2700K = 1

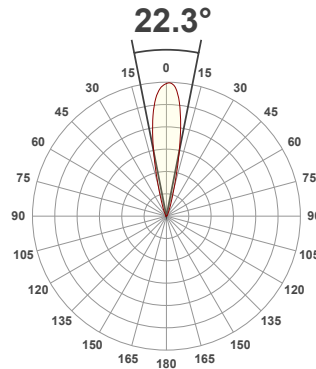
Light efficiency:



Light quality:



Color temperature:



Product name:

**750/753+LED -
LED51_U-30-24-350mA**

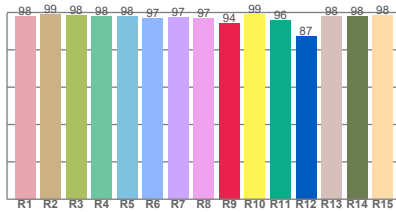
Item number:

**Plus Mini Fixed/Accent -
LED51_U-30-24-350mA**

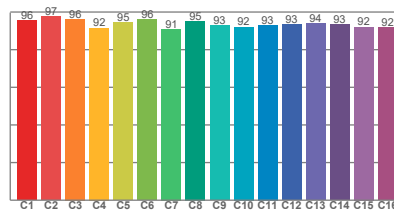
**Delivered information for above
fixture and LED combination.**

Output: 775 Lumen Peak intensity: 4109 cd Power consumption: 13.6

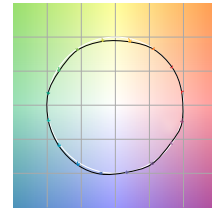
CRI R values



TM30 C Values

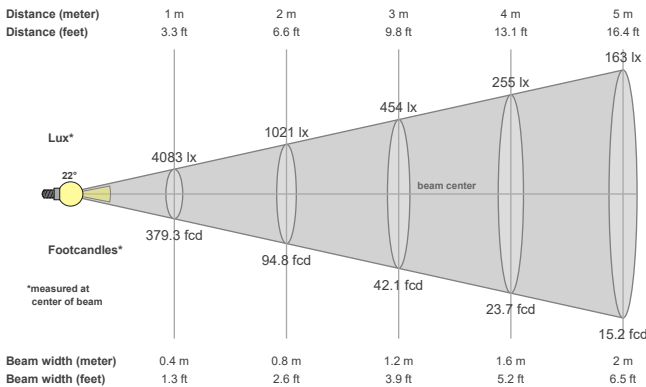


Color vector graphics



Color temperature	Color rendering index	Red component	Color fidelity	Color gamut	Color quality scale	Color coordinate cie 1931	Color coordinate cie 1931	Color coordinate	Color coordinate	Color deviation from black body
CCT	CRI	CRI R9	TM30 Rf	TM30 Rg	CQS	x	y	u	v	Δuv
3000 K	97.8	94.3	93.9	99.0	95.2	0.437	0.404	0.251	0.349	0.0010

Beam details



Beam angles

Beam angle 50%	Field angle 10%	Cutoff angle 2,5%
22.3°	39°	59.5°

Beam intensities

Peak intensity	Int. ratio in 120° cone	Int. ratio in 90° cone
4109 cd	99.3%	97.0%

Beam intensities from 1-20m

1m	2m	3m	4m	5m	6m	7m	8m	9m	10m	11m	12m	13m	14m	15m	16m	17m	18m	19m	20m
3.3ft	6.6ft	9.8ft	13.1ft	16.4ft	19.7ft	23ft	26.2ft	29.5ft	32.8ft	36.1ft	39.4ft	42.7ft	45.9ft	49.2ft	52.5ft	55.8ft	59.1ft	62.3ft	65.6ft
4083lx	1021lx	454lx	255lx	163lx	113lx	83lx	64lx	50lx	41lx	34lx	28lx	24lx	21lx	18lx	16lx	14lx	13lx	11lx	10lx
379.3fcd	94.8fcd	42.1fcd	23.7fcd	15.2fcd	10.5fcd	7.7fcd	5.9fcd	4.7fcd	3.8fcd	3.1fcd	2.6fcd	2.2fcd	1.9fcd	1.7fcd	1.5fcd	1.3fcd	1.2fcd	1.1fcd	0.9fcd

The above information is for 3000K colour temperature, for specific module information please see LED spec located on our website

For information regarding other colour temperatures please use the following factors for lumen output and candelas:

2700K = 1

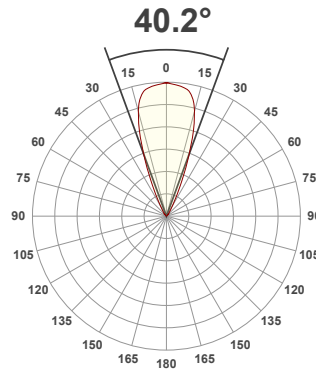
Light efficiency:



Light quality:



Color temperature:



Product name:

**750/753+LED -
LED51_U-30-38-350mA**

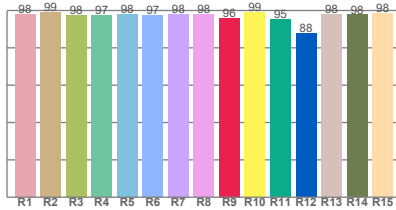
Item number:

**Plus Mini Fixed/Accent -
LED51_U-30-38-350mA**

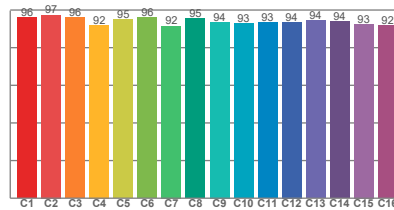
**Delivered information for above
fixture and LED combination.**

Output: 909 Lumen Peak intensity: 1934 cd Power consumption: 13.6

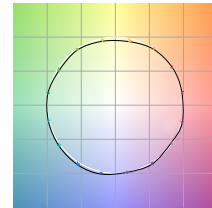
CRI R values



TM30 C Values

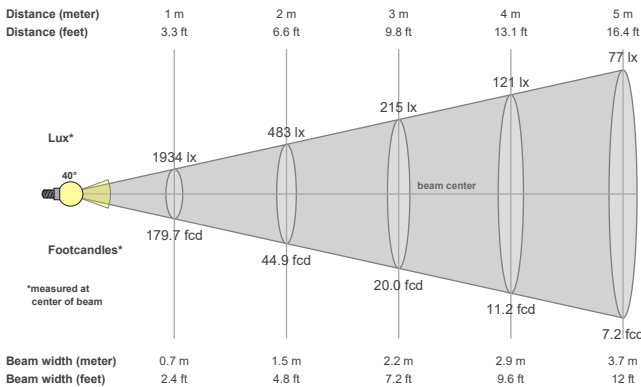


Color vector graphics



Color temperature	Color rendering index	Red component	Color fidelity	Color gamut	Color quality scale	Color coordinate cie 1931	Color coordinate cie 1931	Color coordinate	Color coordinate	Color deviation from black body
CCT	CRI	CRI R9	TM30 Rf	TM30 Rg	CQS	x	y	u	v	Δuv
3000 K	98.0	96.0	94.2	99.3	95.3	0.437	0.404	0.250	0.349	0.0013

Beam details



Beam angles

Beam angle 50%	Field angle 10%	Cutoff angle 2,5%
40.2°	59.4°	81.8°

Beam intensities

Peak intensity	Int. ratio in 120° cone	Int. ratio in 90° cone
1934 cd	99.5%	97.6%

Beam intensities from 1-20m

1m	2m	3m	4m	5m	6m	7m	8m	9m	10m	11m	12m	13m	14m	15m	16m	17m	18m	19m	20m
3.3ft	6.6ft	9.8ft	13.1ft	16.4ft	19.7ft	23ft	26.2ft	29.5ft	32.8ft	36.1ft	39.4ft	42.7ft	45.9ft	49.2ft	52.5ft	55.8ft	59.1ft	62.3ft	65.6ft
1934lx	483lx	215lx	121lx	77lx	54lx	39lx	30lx	24lx	19lx	16lx	13lx	11lx	10lx	9lx	8lx	7lx	6lx	5lx	5lx
179.7fcd	44.9fcd	20fcd	11.2fcd	7.2fcd	5fcd	3.7fcd	2.8fcd	2.2fcd	1.8fcd	1.5fcd	1.2fcd	1.1fcd	0.9fcd	0.8fcd	0.7fcd	0.6fcd	0.6fcd	0.5fcd	0.4fcd

The above information is for 3000K colour temperature, for specific module information please see LED spec located on our website

For information regarding other colour temperatures please use the following factors for lumen output and candelas:

2700K = 1

Light efficiency:

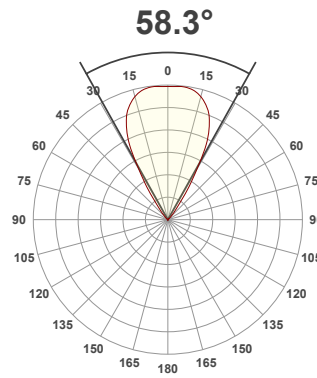
63 Lumen/Watt

Light quality:

CRI: 98.0

Color temperature:

3000 K



Product name:

750/753+LED -

LED51-U-30-55-350mA

Item number:

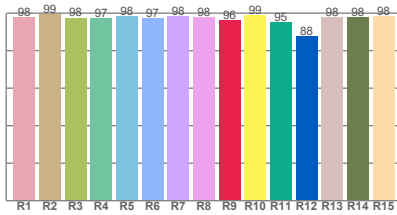
Plus Mini Fixed/Accent -

LED51-U-30-55-350mA

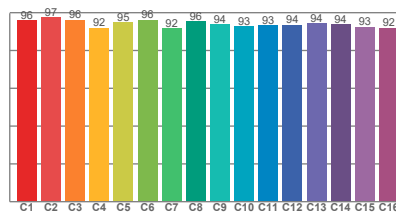
Delivered information for above fixture and LED combination.

Output: 864 Lumen Peak intensity: 1024 cd Power consumption: 13.6

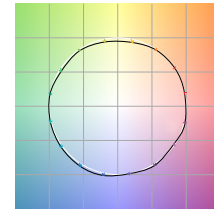
CRI R values



TM30 C Values

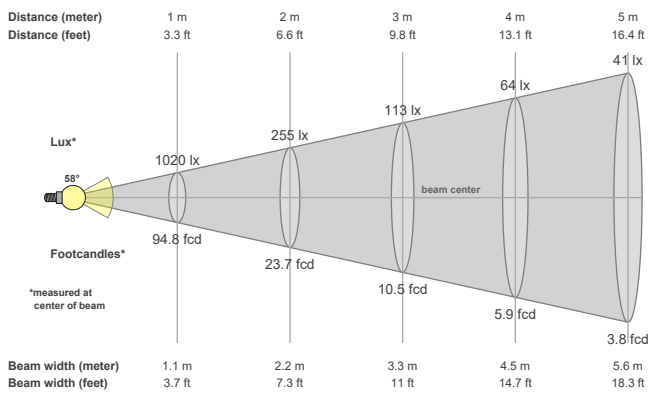


Color vector graphics



Color temperature	Color rendering index	Red component	Color fidelity	Color gamut	Color quality scale	Color coordinate cie 1931	Color coordinate cie 1931	Color coordinate	Color coordinate	Color deviation from black body
CCT	CRI	CRI R9	TM30 Rf	TM30 Rg	CQS	x	y	u	v	Δuv
3000 K	98.0	96.1	94.3	99.4	95.3	0.437	0.404	0.250	0.349	0.0013

Beam details



Beam angels

Beam angle 50%	Field angle 10%	Cutoff angle 2,5%
58.3°	76.6°	93°

Beam intensities

Peak intensity	Int. ratio in 120° cone	Int. ratio in 90° cone
1024 cd	99.4%	97.9%

Beam intensities from 1-20m

1m	2m	3m	4m	5m	6m	7m	8m	9m	10m	11m	12m	13m	14m	15m	16m	17m	18m	19m	20m
3.3ft	6.6ft	9.8ft	13.1ft	16.4ft	19.7ft	23ft	26.2ft	29.5ft	32.8ft	36.1ft	39.4ft	42.7ft	45.9ft	49.2ft	52.5ft	55.8ft	59.1ft	62.3ft	65.6ft
1020lx	255lx	113lx	64lx	41lx	28lx	21lx	16lx	13lx	10lx	8lx	7lx	6lx	5lx	5lx	4lx	4lx	3lx	3lx	3lx
94.8fcd	23.7fcd	10.5fcd	5.9fcd	3.8fcd	2.6fcd	1.9fcd	1.5fcd	1.2fcd	0.9fcd	0.8fcd	0.7fcd	0.6fcd	0.5fcd	0.4fcd	0.4fcd	0.3fcd	0.3fcd	0.3fcd	0.2fcd

The above information is for 3000K colour temperature, for specific module information please see LED spec located on our website

For information regarding other colour temperatures please use the following factors for lumen output and candelas:

2700K = 1