



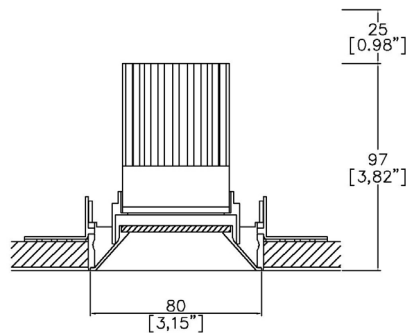
ProSpex Plus Mini Conical Fixed Trimless

TM65.2	11kgCO2e
--------	----------

TM66	2.3 CEAM
------	----------



80mm (3.15") overall trimless diameter. Available with standard trim kit or plaster-in kit options. Family of matching products also available.
Required depth = height + 25mm[^]



750+LED-TL/PCZ-65
Cut-out 82mm Ø
Trimless kit

LED Source	LED5ISS
CCT	3000K
Drive Current	500mA
Power inc Driver	6.75W
Beam Angle	7°
Delivered Lumens	444
Delivered Intensity cd	17572
Efficacy lm/w	66
Forward Volt	11.5V
CRI	≥90 CRI

Apply these factors to 3000K for lumen output of other CCTs: 2700K x 0.92 / 4000K x 1.053.

Project Ref: _____

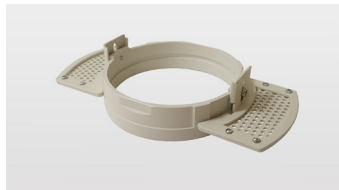
Location Ref: _____

Fixture Order Code: - - -

<p>Fixture 750+LED-TL</p> <p>Installation 750+TL 750+PCZ</p> <p>Finish</p> <p>WH BK RAL* ABR1 ABZ1 PCH1 PNK1 PBR1</p> <p>IP Rating 65</p>	<p>Plus Mini Conical Fixed Trimless with LED51</p> <p>TL trimless kit PCZ Plaster kit</p> <p>White RAL 9010 Black RAL 9005 Custom RAL Colour* Antique Brass Antique Bronze Polished Chrome Polished Nickel Polished Brass</p> <p>IP65</p>
---	---



750+PCZ
Trimless Kit
Front fitting, full skim



750+TL
Trimless Kit
Rear fitting, partial skim

LED Order Code: - -

<p>LED LED51SS</p> <p>CCT 927 930 940***</p> <p>Beam 7°</p>	<p>LED51 SuperSpot</p> <p>90 CRI 2700K 90 CRI 3000K 90 CRI 4000K***</p> <p>7°</p>
--	---

***contact Lucent for availability

Driver Options:

<p>Protocol</p> <p>S A P D B</p>	<p>Non-Dim Analogue (0-10v) Phase DALI Bluetooth**</p>
---	--

Emergency Options:

<p>Emergency</p> <p>E ED ES</p>	<p>Maintained 3hr Emergency Maintained 3hr DALI Self Test Maintained 3hr Self Test</p>
--	--

Finish selection



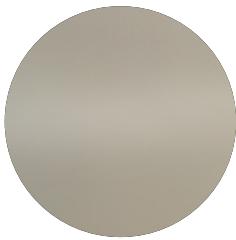
Antique Brass



Antique Bronze



Polished Brass

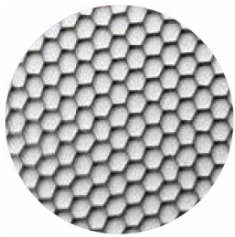


Polished Nickel



Polished Chrome

Accessories



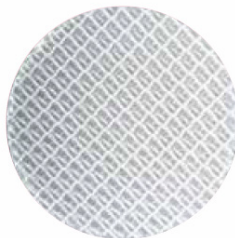
Honeycomb Louvre



Diffusing Lens



Frosted Lens



Heavy Spread Lens



Linear Spread Lens

Accessories Order Code:

Louvre/Lens

- LL45 Honeycomb Louvre
- LLCC Warm Tone Lens
- LLUV UV Lens
- LLDF Diffusing Lens
- LLFR Frosted Lens
- LLLS Linear Spread Lens
- LLHS Heavy Spread Lens

Technical Details

*Custom RAL code must be specified. Custom RAL colours can increase prices and lead times

Dimming. Whilst Lucent can offer the majority of its luminaires with various dimming options, it remains the responsibility of the specifier/installer to check and ensure compatibility of any control equipment used. Additional cabling may be required depending on the dimming protocol specified.

**Bluetooth (wireless) is the communication method. The exact dimming protocol must be confirmed to allow the selection of suitable drivers or bluetooth devices.

^ Depth indicated is the minimum recess depth for the luminaire with a remote mounted LED driver. Installing a driver through either the luminaire cut-out or installation kit may require additional recess depth, please refer to the relevant luminaire installation instructions for further details. Data correct at time of publishing

First Fix Requirement. Luminaire comprised of fixture body with ceiling trim and installation kit, which is to be fitted into the ceiling once finished. Ensure correct alignment of the installation kit before final assembly (see luminaire installation instructions for details)

IP Rating. Tested from underside of the ceiling

Note that the picture of the finishes provided is for illustrative purposes only. The finishes may vary in colour, texture and appearance. Contact Lucent lighting Ltd for more information.

It is the policy of Lucent Lighting to continually review and improve its products and therefore reserve the right to change any details of product or withdraw specifications without prior notice.

Luminaires designed to comply with EN60598 and all other standards.

This specification sheet supersedes all previous versions.

All intellectual property rights pertaining to the product described above and to this document are owned by or licensed to Lucent Lighting Ltd.

We reserve the right to take whatever action is necessary to protect those intellectual property rights.