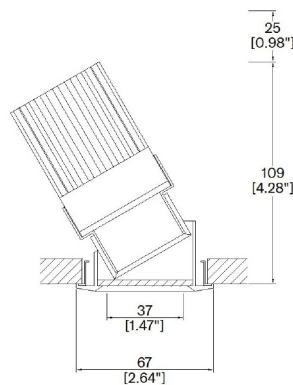




## ProSpex Focus60 Accent



67mm (2.64") overall diameter. Up to 25° tilt. Available with standard trim kit. Family of matching products also available. Required depth height + 25mm<sup>^</sup>



063-LED-65  
Cut-out 62mm Ø

LED Source	LED51/2	LED51/2	LED51/2	LED51/2
CCT	3000K	3000K	3000K	3000K
Drive Current	350mA	350mA	350mA	350mA
Power inc Driver	13.6W	13.6W	13.6W	13.6W
Beam Angle	12°	24°	38°	55°
Delivered Lumens	683	701	845	880
Delivered Intensisty cd	7613	4170	2393	1356
Efficacy lm/w	50	52	62	65
Forward Volt	36V	36V	36V	33V
CRI	≥90 CRI	≥90 CRI	≥90 CRI	≥90 CRI

Project Ref: \_\_\_\_\_

Location Ref: \_\_\_\_\_

### Fixture Order Code:

063-LED	-	65	-		-	
---------	---	----	---	--	---	--

Fixture  
063-LED

Focus60 Accent with LED51

IP Rating  
65

IP65

Finish  
WH  
BK  
RAL

White  
Black  
Custom RAL Colour\*

Emergency  
E  
ED  
ES

Maintained 3hr Emergency  
Maintained 3hr DALI Self Test  
Maintained 3hr Self Test



### LED Order Code:

LED51/2	-		-		-	
---------	---	--	---	--	---	--

LED  
LED51/2

LED50 ONE GEN2

CCT  
927  
930  
940

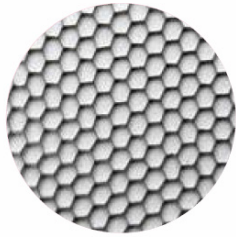
90 CRI 2700K  
90 CRI 3000K  
90 CRI 4000K

Beam  
12  
24  
38  
55

12°  
24°  
38°  
55°

Protocol  
S  
A  
P  
D  
B

Non-Dim  
Analogue (0-10v)  
Phase  
DALI  
Bluetooth\*\*



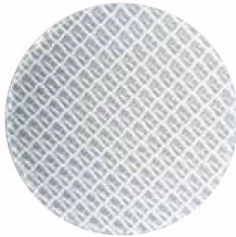
**Honeycomb Louvre**



**Diffusing Lens**



**Frosted Lens**



**Heavy Spread Lens**



**Linear Spread Lens**



**Warm Tone**

Accessories Order Code:

- |             |                    |
|-------------|--------------------|
| Louvre/Lens |                    |
| LL45        | Honeycomb Louvre   |
| LLCC        | Warm Tone Lens     |
| LLUV        | UV Lens            |
| LLDF        | Diffusing Lens     |
| LLFR        | Frosted Lens       |
| LLLS        | Linear Spread Lens |
| LLHS        | Heavy Spread Lens  |

**Technical Details**

\*Custom RAL code must be specified. Custom RAL colours can increase prices and lead times

Dimming. Whilst Lucent can offer the majority of its luminaires with various dimming options, it remains the responsibility of the specifier/installer to check and ensure compatibility of any control equipment used. Additional cabling may be required depending on the dimming protocol specified.

\*\*Bluetooth (wireless) is the communication method. The exact dimming protocol must be confirmed to allow the selection of suitable drivers or bluetooth devices.

^ Depth indicated is the minimum recess depth for the luminaire with a remote mounted LED driver. Installing a driver through either the luminaire cut-out or installation kit may require additional recess depth, please refer to the relevant luminaire installation instructions for further details. Data correct at time of publishing

First Fix Requirement. Luminaire comprised of fixture body with ceiling trim and installation kit, which is to be fitted into the ceiling once finished. Ensure correct alignment of the installation kit before final assembly (see luminaire installation instructions for details)

IP Rating. Tested from underside of the ceiling

It is the policy of Lucent Lighting to continually review and improve its products and therefore reserve the right to change any details of product or withdraw specifications without prior notice.

Luminaires designed to comply with EN60598 and all other standards.

This specification sheet superseded all previous versions.

All intellectual property rights pertaining to the product described above and to this document are owned by or licensed to Lucent Lighting Ltd.

We reserve the right to take whatever action is necessary to protect those intellectual property rights.

Please notify Lucent Lighting Ltd of any inaccuracies immediately. E&OE

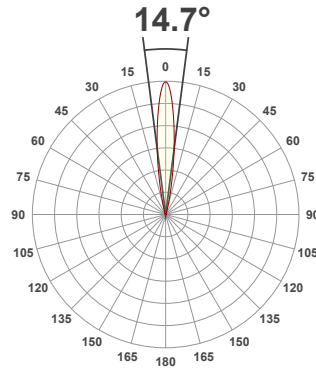
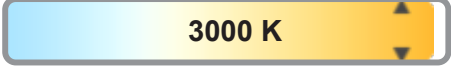
**Light efficiency:**



**Light quality:**



**Color temperature:**



**Product name:**

**Focus 60\_90\_Multi - LED50  
ONE GEN2, 3000K, 12°, 350mA**

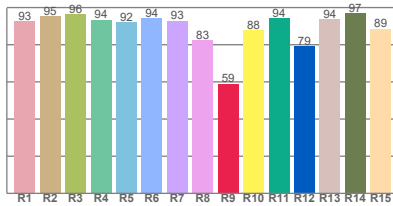
**Item number:**

**Focus 60\_90\_Multi -  
LED51/2-30-12-350mA**

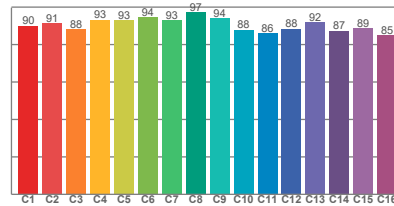
**Delivered information for above  
fixture and LED combination.**

**Output: 683 Lumen    Peak intensity: 7613 cd    Power consumption: 13.6**

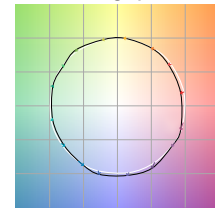
**CRI R values**



**TM30 C Values**

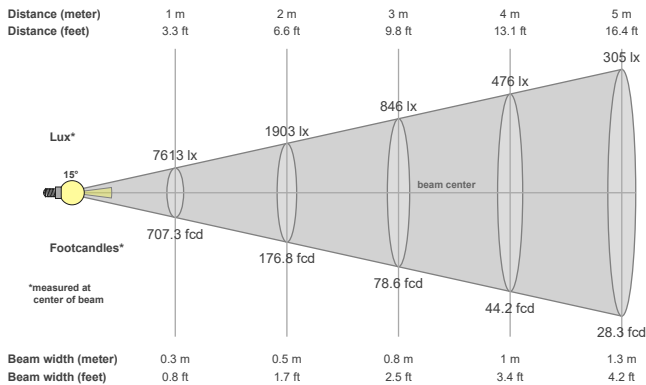


**Color vector graphics**



Color temperature	Color rendering index	Red component	Color fidelity	Color gamut	Color quality scale	Color coordinate cie 1931	Color coordinate cie 1931	Color coordinate	Color coordinate	Color deviation from black body
CCT	CRI	CRI R9	TM30 Rf	TM30 Rg	CQS	x	y	u	v	Δuv
3000 K	92.5	59.0	90.7	99.8	90.7	0.437	0.404	0.250	0.348	0.0003

**Beam details**



**Beam angles**

Beam angle 50%	Field angle 10%	Cutoff angle 2,5%
14.7°	27.8°	42.3°

**Beam intensities**

Peak intensity	Int. ratio in 120° cone	Int. ratio in 90° cone
7613 cd	99.6%	99.0%

**Beam intensities from 1-20m**

1m	2m	3m	4m	5m	6m	7m	8m	9m	10m	11m	12m	13m	14m	15m	16m	17m	18m	19m	20m
3.3ft	6.6ft	9.8ft	13.1ft	16.4ft	19.7ft	23ft	26.2ft	29.5ft	32.8ft	36.1ft	39.4ft	42.7ft	45.9ft	49.2ft	52.5ft	55.8ft	59.1ft	62.3ft	65.6ft
7613lx	1903lx	846lx	476lx	305lx	211lx	155lx	119lx	94lx	76lx	63lx	53lx	45lx	39lx	34lx	30lx	26lx	23lx	21lx	19lx
707.3fcd	176.8fcd	78.6fcd	44.2fcd	28.3fcd	19.6fcd	14.4fcd	11.1fcd	8.7fcd	7.1fcd	5.8fcd	4.9fcd	4.2fcd	3.6fcd	3.1fcd	2.8fcd	2.4fcd	2.2fcd	2fcd	1.8fcd

The above information is for 3000K colour temperature, for specific module information please see LED spec located on our website

For information regarding other colour temperatures please use the following factors for lumen output and candelas:

2700K = 1  
4000K = 1.084

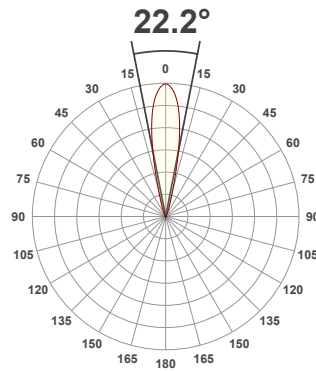
**Light efficiency:**



**Light quality:**



**Color temperature:**



**Product name:**

**Focus 60\_90\_Multi - LED50  
ONE GEN2, 3000K, 24°, 350mA**

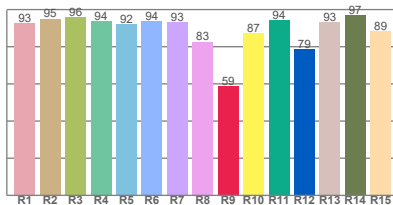
**Item number:**

**Focus 60\_90\_Multi -  
LED51/2-30-24-350mA**

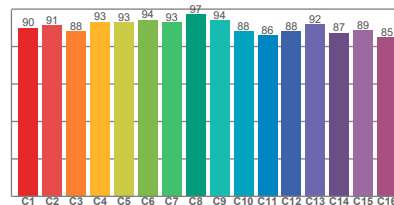
**Delivered information for above  
fixture and LED combination.**

**Output: 701 Lumen    Peak intensity: 4170 cd    Power consumption: 13.6**

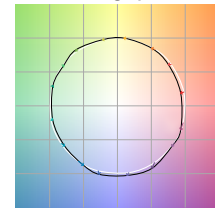
**CRI R values**



**TM30 C Values**

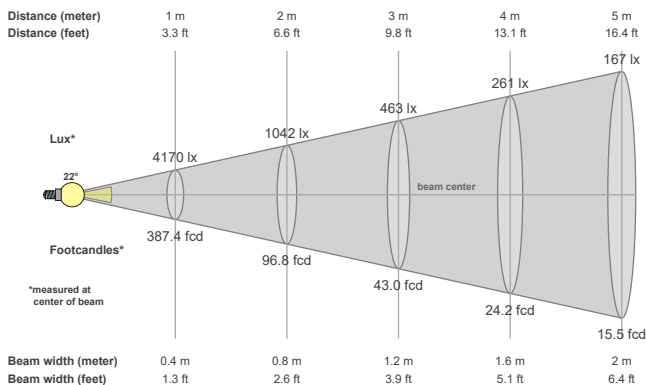


**Color vector graphics**



Color temperature	Color rendering index	Red component	Color fidelity	Color gamut	Color quality scale	Color coordinate cie 1931	Color coordinate cie 1931	Color coordinate	Color coordinate	Color deviation from black body
CCT	CRI	CRI R9	TM30 Rf	TM30 Rg	CQS	x	y	u	v	Δuv
3000 K	92.4	59.0	90.6	99.9	90.7	0.437	0.404	0.250	0.348	0.0005

**Beam details**



**Beam angles**

Beam angle 50%	Field angle 10%	Cutoff angle 2,5%
22.2°	37.4°	55°

**Beam intensities**

Peak intensity	Int. ratio in 120° cone	Int. ratio in 90° cone
4170 cd	99.8%	99.0%

**Beam intensities from 1-20m**

1m	2m	3m	4m	5m	6m	7m	8m	9m	10m	11m	12m	13m	14m	15m	16m	17m	18m	19m	20m
3.3ft	6.6ft	9.8ft	13.1ft	16.4ft	19.7ft	23ft	26.2ft	29.5ft	32.8ft	36.1ft	39.4ft	42.7ft	45.9ft	49.2ft	52.5ft	55.8ft	59.1ft	62.3ft	65.6ft
4170lx	1042lx	463lx	261lx	167lx	116lx	85lx	65lx	51lx	42lx	34lx	29lx	25lx	21lx	19lx	16lx	14lx	13lx	12lx	10lx
387.4fcd	96.8fcd	43fcd	24.2fcd	15.5fcd	10.8fcd	7.9fcd	6.1fcd	4.8fcd	3.9fcd	3.2fcd	2.7fcd	2.3fcd	2fcd	1.7fcd	1.5fcd	1.3fcd	1.2fcd	1.1fcd	1fcd

The above information is for 3000K colour temperature, for specific module information please see LED spec located on our website

For information regarding other colour temperatures please use the following factors for lumen output and candelas:

2700K = 1  
4000K = 1.084

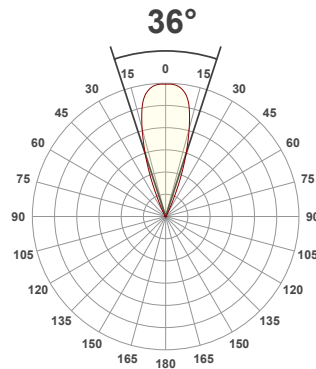
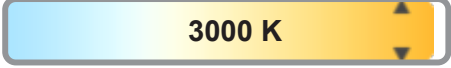
**Light efficiency:**



**Light quality:**



**Color temperature:**



**Product name:**

**Focus 60\_90\_Multi - LED50 ONE GEN2, 3000K, 38°, 350mA**

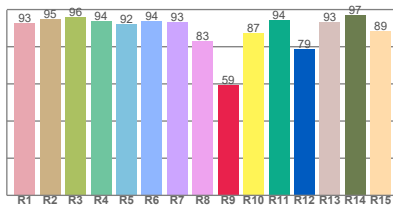
**Item number:**

**Focus 60\_90\_Multi - LED51/2-30-38-350mA**

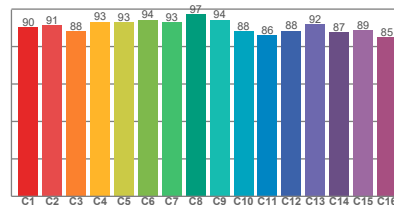
**Delivered information for above fixture and LED combination.**

**Output: 845 Lumen Peak intensity: 2393 cd Power consumption: 13.6**

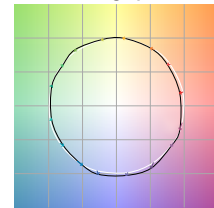
**CRI R values**



**TM30 C Values**

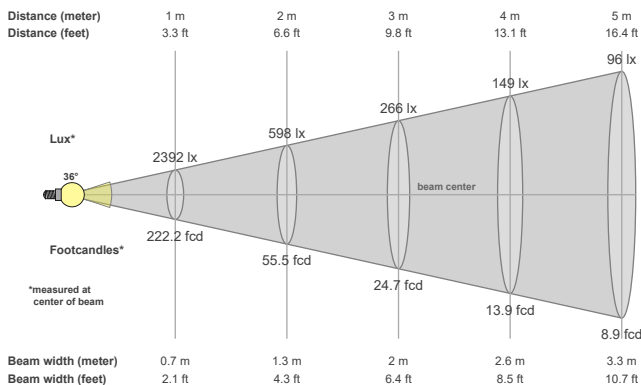


**Color vector graphics**



Color temperature	Color rendering index	Red component	Color fidelity	Color gamut	Color quality scale	Color coordinate cie 1931	Color coordinate cie 1931	Color coordinate	Color coordinate	Color deviation from black body
CCT	CRI	CRI R9	TM30 Rf	TM30 Rg	CQS	x	y	u	v	Δuv
3000 K	92.4	59.3	90.7	99.9	90.8	0.437	0.404	0.249	0.348	0.0006

**Beam details**



**Beam angles**

Beam angle 50%	Field angle 10%	Cutoff angle 2,5%
36°	50.9°	62.4°

**Beam intensities**

Peak intensity	Int. ratio in 120° cone	Int. ratio in 90° cone
2393 cd	99.7%	99.0%

**Beam intensities from 1-20m**

1m	2m	3m	4m	5m	6m	7m	8m	9m	10m	11m	12m	13m	14m	15m	16m	17m	18m	19m	20m
3.3ft	6.6ft	9.8ft	13.1ft	16.4ft	19.7ft	23ft	26.2ft	29.5ft	32.8ft	36.1ft	39.4ft	42.7ft	45.9ft	49.2ft	52.5ft	55.8ft	59.1ft	62.3ft	65.6ft
2392lx	598lx	266lx	149lx	96lx	66lx	49lx	37lx	30lx	24lx	20lx	17lx	14lx	12lx	11lx	9lx	8lx	7lx	7lx	6lx
222.2fcd	55.5fcd	24.7fcd	13.9fcd	8.9fcd	6.2fcd	4.5fcd	3.5fcd	2.7fcd	2.2fcd	1.8fcd	1.5fcd	1.3fcd	1.1fcd	1fcd	0.9fcd	0.8fcd	0.7fcd	0.6fcd	0.6fcd

The above information is for 3000K colour temperature, for specific module information please see LED spec located on our website

For information regarding other colour temperatures please use the following factors for lumen output and candelas:

2700K = 1  
4000K = 1.084

**Light efficiency:**

**65 Lumen/Watt**

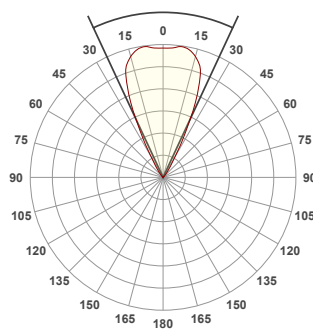
**Light quality:**

**CRI: 92.3**

**Color temperature:**

**3068 K**

**49.9°**



**Product name:**

**Focus 60\_90\_Multi - LED50 ONE GEN2, 3000K, 55°, 350mA**

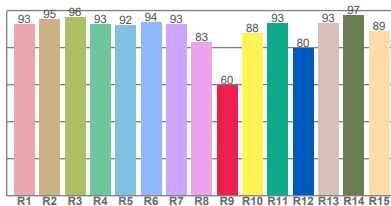
**Item number:**

**Focus 60\_90\_Multi - LED51/2-30-55-350mA**

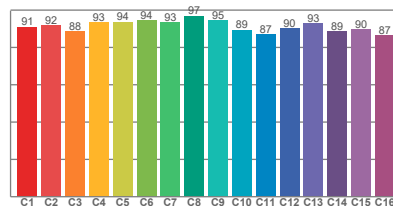
**Delivered information for above fixture and LED combination.**

**Output: 880 Lumen    Peak intensity: 1356 cd    Power consumption: 13.6**

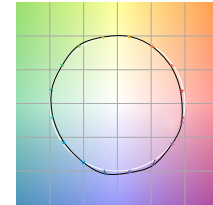
**CRI R values**



**TM30 C Values**

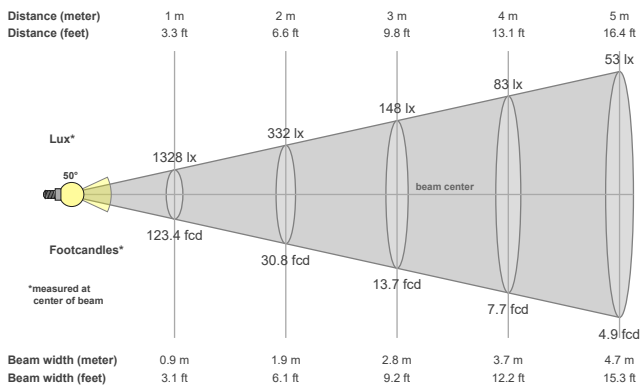


**Color vector graphics**



Color temperature	Color rendering index	Red component	Color fidelity	Color gamut	Color quality scale	Color coordinate cie 1931	Color coordinate cie 1931	Color coordinate	Color coordinate	Color deviation from black body
CCT	CRI	CRI R9	TM30 Rf	TM30 Rg	CQS	x	y	u	v	Δuv
3068 K	92.3	59.6	91.4	100.3	90.3	0.432	0.401	0.249	0.346	-0.0006

**Beam details**



**Beam angles**

Beam angle 50%	Field angle 10%	Cutoff angle 2,5%
49.9°	67.2°	84°

**Beam intensities**

Peak intensity	Int. ratio in 120° cone	Int. ratio in 90° cone
1356 cd	99.7%	98.6%

**Beam intensities from 1-20m**

1m	2m	3m	4m	5m	6m	7m	8m	9m	10m	11m	12m	13m	14m	15m	16m	17m	18m	19m	20m
3.3ft	6.6ft	9.8ft	13.1ft	16.4ft	19.7ft	23ft	26.2ft	29.5ft	32.8ft	36.1ft	39.4ft	42.7ft	45.9ft	49.2ft	52.5ft	55.8ft	59.1ft	62.3ft	65.6ft
1328lx	332lx	148lx	83lx	53lx	37lx	27lx	21lx	16lx	13lx	11lx	9lx	8lx	7lx	6lx	5lx	5lx	4lx	4lx	3lx
123.4fcd	30.8fcd	13.7fcd	7.7fcd	4.9fcd	3.4fcd	2.5fcd	1.9fcd	1.5fcd	1.2fcd	1fcd	0.9fcd	0.7fcd	0.6fcd	0.5fcd	0.5fcd	0.4fcd	0.4fcd	0.3fcd	0.3fcd

The above information is for 3000K colour temperature, for specific module information please see LED spec located on our website

For information regarding other colour temperatures please use the following factors for lumen output and candelas:

2700K = 1  
4000K = 1.084