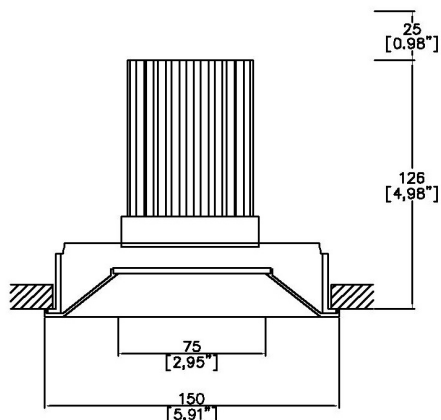


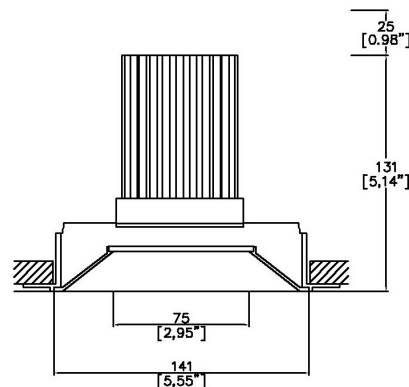
# Plus5 XL Conical Fixed



Plus provides high performance electronics and architectural aesthetics in round and square 3.5” and 5” trim. Plus products include adjustable, fixed and wallwash in a flanged or trimless installation kit. Adjustable can be provided with gear driven adjustment or manual adjustment. Available in various front plates (Conical, Bevel, Edge, Pyramidal and Square Bevel) Bevel and Square Bevel available with various color inserts. Tray, retrofit and housing installation methods (NIC, IC, AT, T24 and CCEA) Multiple configurations for equal spacing also available. Lucent modules available in a wide range of color temperatures, beam angles, intensities, and effects (Ambiance WarmDim and Dynamic Tuneable White). TRIAC/Phase, 0-10v/1-10v, DMX and DALI/Digital dimming.



A090+XL-LED-TR  
Cut-out 146mm Ø  
(5.75” Ø)



A090+XL-LED-TL  
Cut-out 146mm Ø  
(5.75” Ø)



**Installation kit for overlap flange**



**Mud-in kit for seamless/trimless**

	LED71TW	LED71TW	LED71TW
LED Source	@ 3000K	@ 3000K	@ 3000K
CCT range	5000K-2000K	@ 3000K	@ 3000K
Drive Current (max per channel)	1000mA	1000mA	1000mA
Power inc Driver Max	27.5W	27.5W	27.5W
Beam Angle	19°	23°	42°
Delivered Lumens	1565	1495	1502
Delivered Intensity cd	6091	3753	2237
Efficacy lm/w	57	54	55
Forward Volt (max per channel)	23.4V	23.4V	23.4V
CRI	≥95 CRI	≥95 CRI	≥95 CRI

Project Ref: \_\_\_\_\_

Location Ref: \_\_\_\_\_

Specify fixture part number (All boxes must be filled in to correctly order)

<b>A090+XL-LED</b>					<b>LED71WD</b>	<b>5020</b>							
--------------------	--	--	--	--	----------------	-------------	--	--	--	--	--	--	--

**Installation**

- TR** Flange kit
- TL** Mud-in kit

**Finish**

- WH** White
- BK** Black
- RAL** Custom\*

**Location**

- XX** Dry
- DP** Damp
- WT** Wet

**Ceiling Thickness**

- SC** Standard Ceiling (1/2"-5/8"-3/4")
- C** Custom

**LED Type**

- LED71TW** LED71 Dynamic Tuneable White (95CRI)

**CCT**

- 5020** 5000K - 2000K

**Beam Angles**

- 19** 19
- 23** 23
- 42** 42

**Housing/Tray**

- LMT-15-NIC** Mounting Tray Non-Insulated ceilings
- LH-8.50-NIC** Housing 8.50" Non-Insulated ceilings
- LH-11.25-AT/IC** Housing 11.25" Insulated/Air-tight ceilings and Chicago Plenum

**Mounting Hardware**

- 09** 9" to 15.25" - Adjustable Bar Hanger Lengths
- 14** 14" to 24" - Adjustable Bar Hanger Lengths
- 36** 28" to 36" - Adjustable Bar Hanger Lengths
- BB** Butterfly Bracket
- CB** Caterpillar Bracket

**Supply Voltage**

- 120** 120V
- 277** 277V

**Dimming Protocol**

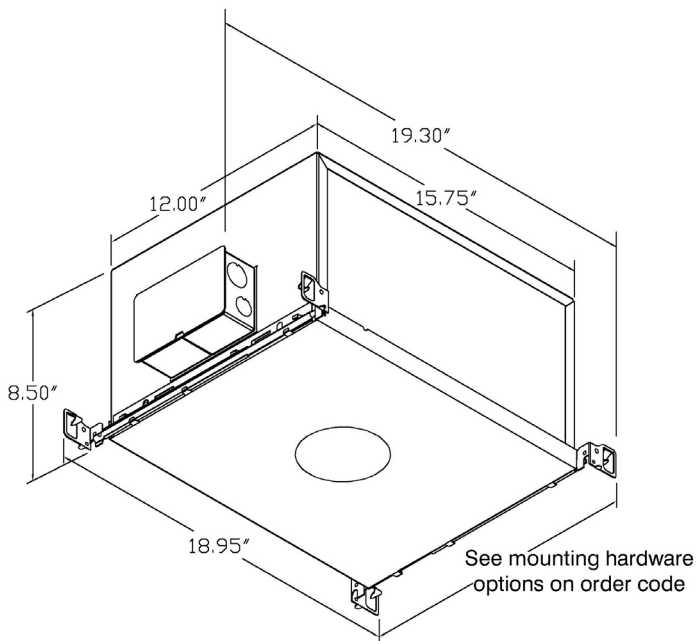
- A2** Analogue (0-10V) 2-Channel (0.1% Dimming)
- D6** DALI Type 6\*\* (0.1% Dimming)
- D8** DALI Type 8\*\* (0.1% Dimming)
- L** Lutron (Consult Factory)

- Emergency**
- E** 3hr Emergency
  - ES** 3hr Self Test

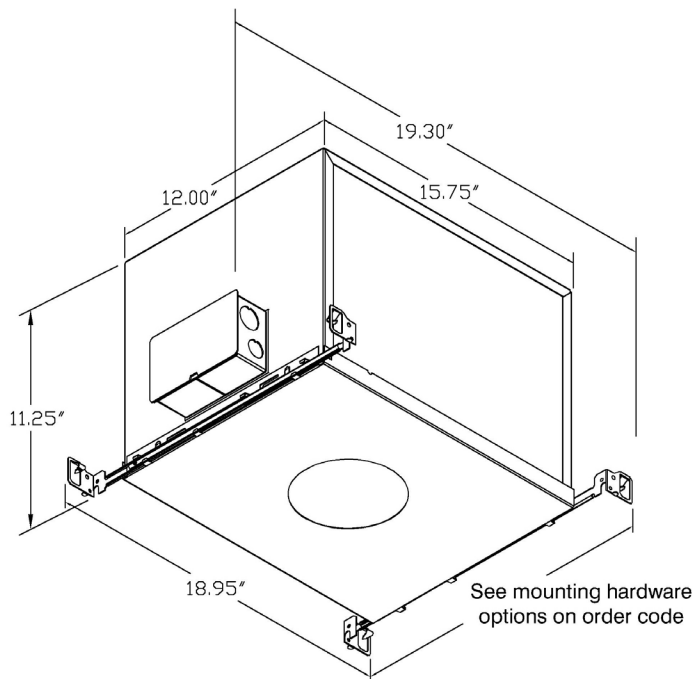
- Louvre/Lens**
- XX** Not required
  - MD45** Honeycomb
  - MDUV** UV
  - MDDF** Solite/Diffusing
  - MDFR** Frosted Lens
  - MDLS** Linear Spread
  - MDHS** Heavy Spread

\*Refer to Technical Details for more information

## Housing dimensions

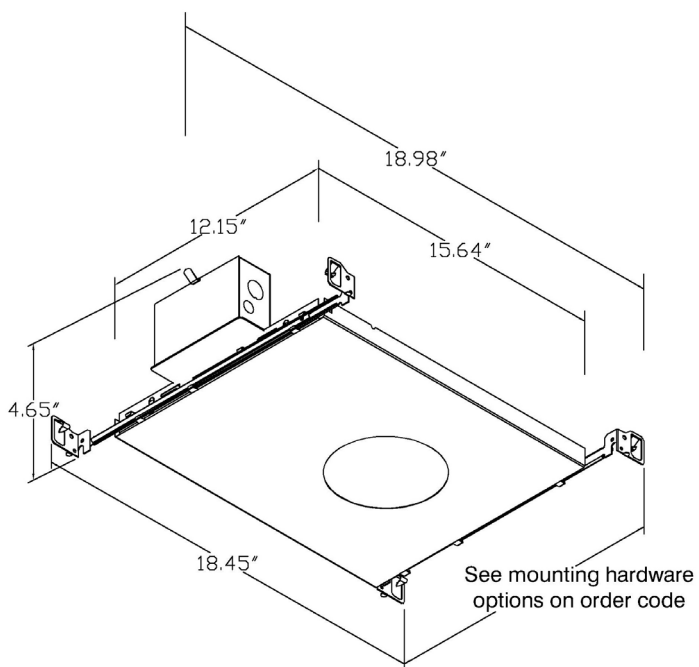


LH-8.50  
Non-insulated ceiling

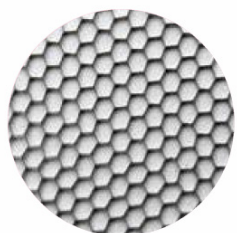


LH-11.25  
Insulated/air-tight ceilings and  
Chicago Plenum

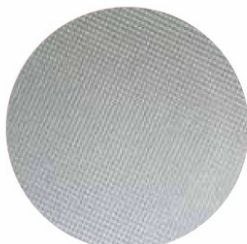
## Tray dimensions



LMT-15  
Non-insulated ceilings



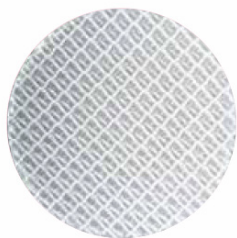
**Honeycomb Louvre (MD45)**



**Solite/Diffusing Lens (MDDF)**



**Frosted Lens (MDFR)**



**Heavy Spread Lens (MDHS)**



**Linear Spread Lens (MDLS)**

---

## Technical Details

\*Custom color requires a paint chip or RAL code and may increase price and lead-time

It is the responsibility of the specifier/integrator/installer to check and ensure compatibility of any control equipment used. Additional cabling may be required depending on the dimming protocol specified.

\*\*DALI Type 6 requires two DALI addresses, one for CCT control the other for intensity control. DALI Type 8 is a single DALI Type 8 address for CCT and intensity control. Please check which control system is being used before specifying.

^ Depth indicated is the minimum recess depth for the luminaire with a remote mounted LED driver. Installing a driver through either the luminaire cut-out or installation kit may require additional recess depth, please refer to the relevant installation instructions prior to purchase.

First Fix Requirement. Luminaire comprised of fixture body with ceiling trim and installation kit, which is to be fitted into the ceiling once finished. Ensure correct alignment of the installation kit before final assembly (see luminaire installation instructions for details)

Location. Tested from underside of the ceiling.

Data correct at time of publishing. It is the policy of Lucent Lighting to continually review and improve its products and therefore reserve the right to change any details of product or withdraw specifications without prior notice.

This specification sheet supersedes all previous versions.

All intellectual property rights pertaining to the product described above and to this document are owned by or licensed to Lucent Lighting, Incorporated. Lucent Lighting reserves the right to take whatever action is necessary to protect its intellectual property, patents and trademarks

Please notify Lucent Lighting Inc. inaccuracies. E&OE



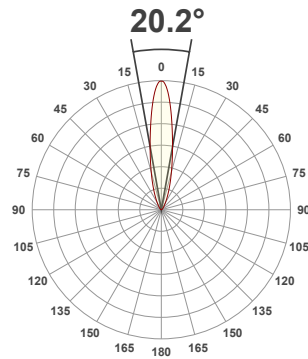
Light efficiency:



Light quality:



Color temperature:



Product name:

**090+XL-LED - LED71W-5020-19 - 3000K**

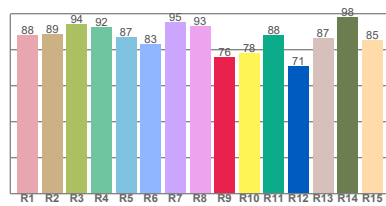
Item number:

**Plus XL Conical Fixed - LED71W-5020-19 @ 3000K**

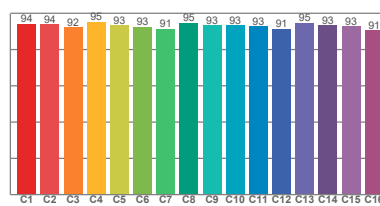
**Delivered information for above fixture and LED combination.**

**Output: 1565 Lumen Peak intensity: 6091 cd Power consumption: 27.5**

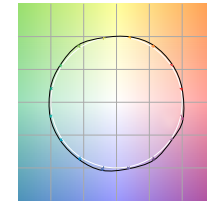
CRI R values



TM30 C Values

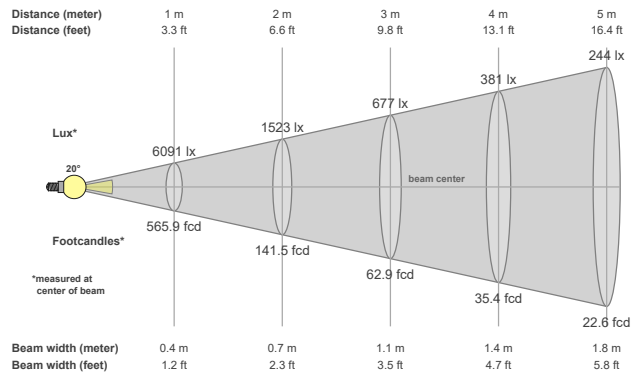


Color vector graphics



Color temperature	Color rendering index	Red component	Color fidelity	Color gamut	Color quality scale	Color coordinate cie 1931	Color coordinate cie 1931	Color coordinate	Color coordinate	Color deviation from black body
CCT	CRI	CRI R9	TM30 Rf	TM30 Rg	CQS	x	y	u	v	Δuv
3000 K	90.1	76.0	93.3	106.5	93.7	0.437	0.404	0.254	0.332	-0.0156

**Beam details**



**Beam angles**

Beam angle 50%	Field angle 10%	Cutoff angle 2,5%
20.2°	51.4°	82.1°

**Beam intensities**

Peak intensity	Int. ratio in 120° cone	Int. ratio in 90° cone
6091 cd	98.2%	92.0%

**Beam intensities from 1-20m**

1m	2m	3m	4m	5m	6m	7m	8m	9m	10m	11m	12m	13m	14m	15m	16m	17m	18m	19m	20m
3.3ft	6.6ft	9.8ft	13.1ft	16.4ft	19.7ft	23ft	26.2ft	29.5ft	32.8ft	36.1ft	39.4ft	42.7ft	45.9ft	49.2ft	52.5ft	55.8ft	59.1ft	62.3ft	65.6ft
6091lx	1523lx	677lx	381lx	244lx	169lx	124lx	95lx	75lx	61lx	50lx	42lx	36lx	31lx	27lx	24lx	21lx	19lx	17lx	15lx
565.9fcd	141.5fcd	62.9fcd	35.4fcd	22.6fcd	15.7fcd	11.5fcd	8.8fcd	7fcd	5.7fcd	4.7fcd	3.9fcd	3.3fcd	2.9fcd	2.5fcd	2.2fcd	2fcd	1.7fcd	1.6fcd	1.4fcd

All the above information for fixtures with LED71TW-5020 modules are tested at 3000K

Factors to adjust lumen output for the following CCTs at 100% output for the colour are as follows:

- 2000K = 0.75
- 2700K = 0.93
- 3500K = 1.07
- 4000K = 1.11
- 5000K = 1.17

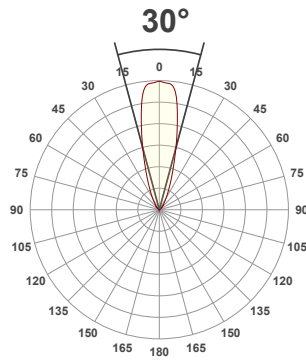
Light efficiency:



Light quality:



Color temperature:



Product name:

**090+XL-LED - LED71W-5020-23 3000K**

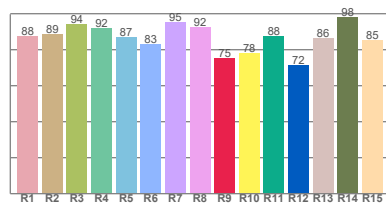
Item number:

**Plus XL Conical Fixed - LED71W-5020-23 @ 3000K**

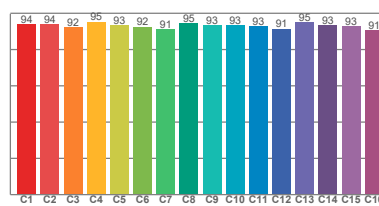
**Delivered information for above fixture and LED combination.**

**Output: 1495 Lumen Peak intensity: 3753 cd Power consumption: 27.5**

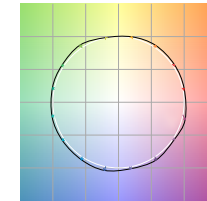
CRI R values



TM30 C Values

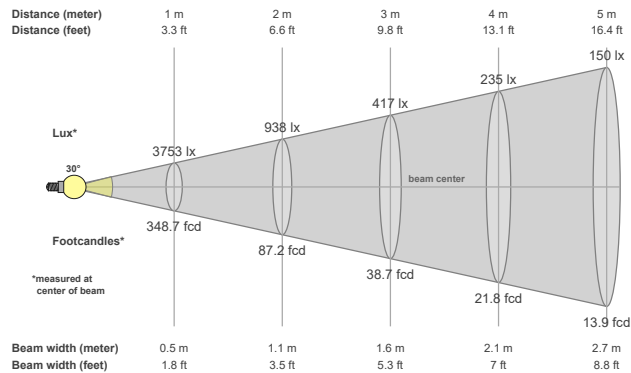


Color vector graphics



Color temperature	Color rendering index	Red component	Color fidelity	Color gamut	Color quality scale	Color coordinate cie 1931	Color coordinate cie 1931	Color coordinate	Color coordinate	Color deviation from black body
CCT	CRI	CRI R9	TM30 Rf	TM30 Rg	CQS	x	y	u	v	Δuv
3000 K	90.1	75.1	93.3	106.6	93.8	0.437	0.404	0.253	0.332	-0.0155

**Beam details**



**Beam angles**

Beam angle 50%	Field angle 10%	Cutoff angle 2,5%
30°	61.2°	96.1°

**Beam intensities**

Peak intensity	Int. ratio in 120° cone	Int. ratio in 90° cone
3753 cd	97.9%	91.5%

**Beam intensities from 1-20m**

1m	2m	3m	4m	5m	6m	7m	8m	9m	10m	11m	12m	13m	14m	15m	16m	17m	18m	19m	20m
3.3ft	6.6ft	9.8ft	13.1ft	16.4ft	19.7ft	23ft	26.2ft	29.5ft	32.8ft	36.1ft	39.4ft	42.7ft	45.9ft	49.2ft	52.5ft	55.8ft	59.1ft	62.3ft	65.6ft
3753lx	938lx	417lx	235lx	150lx	104lx	77lx	59lx	46lx	38lx	31lx	26lx	22lx	19lx	17lx	15lx	13lx	12lx	10lx	9lx
348.7fcd	87.2fcd	38.7fcd	21.8fcd	13.9fcd	9.7fcd	7.1fcd	5.4fcd	4.3fcd	3.5fcd	2.9fcd	2.4fcd	2.1fcd	1.8fcd	1.5fcd	1.4fcd	1.2fcd	1.1fcd	1fcd	0.9fcd

All the above information for fixtures with LED71TW-5020 modules are tested at 3000K

Factors to adjust lumen output for the following CCTs at 100% output for the colour are as follows:

2000K = 0.75                      2700K = 0.93                      3500K = 1.07  
 4000K = 1.11                      5000K = 1.17

Light efficiency:

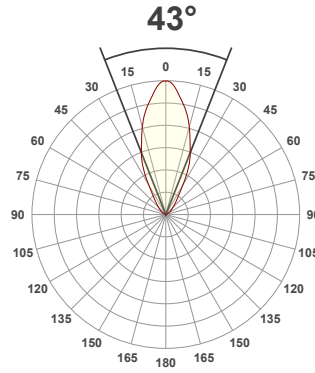
**55 Lumen/Watt**

Light quality:

**CRI: 89.9**

Color temperature:

**3000 K**



Product name:

**090+XL-LED - LED71W-5020-42 - 3000K**

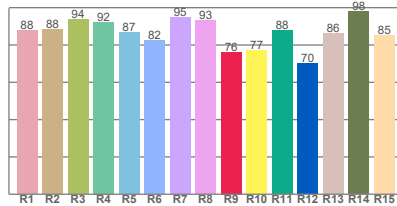
Item number:

**Plus XL Conical Fixed - LED71W-5020-42 - 3000K**

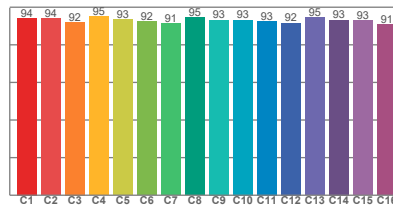
Delivered information for above fixture and LED combination.

Output: 1502 Lumen Peak intensity: 2237 cd Power consumption: 27.5

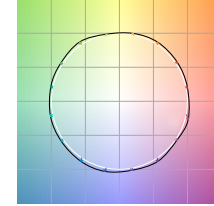
CRI R values



TM30 C Values

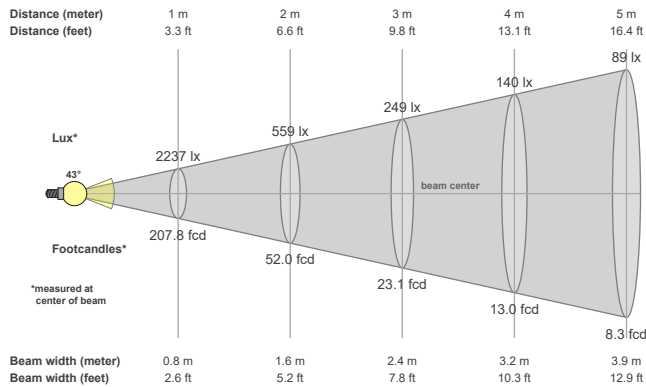


Color vector graphics



Color temperature	Color rendering index	Red component	Color fidelity	Color gamut	Color quality scale	Color coordinate cie 1931	Color coordinate cie 1931	Color coordinate	Color coordinate	Color deviation from black body
CCT	CRI	CRI R9	TM30 Rf	TM30 Rg	CQS	x	y	u	v	Δuv
3000 K	89.9	76.2	93.3	106.5	93.6	0.437	0.404	0.255	0.332	-0.0158

### Beam details



### Beam angles

Beam angle 50%	Field angle 10%	Cutoff angle 2,5%
43°	82.4°	119.6°

### Beam intensities

Peak intensity	Int. ratio in 120° cone	Int. ratio in 90° cone
2237 cd	97.7%	88.4%

### Beam intensities from 1-20m

1m	2m	3m	4m	5m	6m	7m	8m	9m	10m	11m	12m	13m	14m	15m	16m	17m	18m	19m	20m
3.3ft	6.6ft	9.8ft	13.1ft	16.4ft	19.7ft	23ft	26.2ft	29.5ft	32.8ft	36.1ft	39.4ft	42.7ft	45.9ft	49.2ft	52.5ft	55.8ft	59.1ft	62.3ft	65.6ft
2237lx	559lx	249lx	140lx	89lx	62lx	46lx	35lx	28lx	22lx	18lx	16lx	13lx	11lx	10lx	9lx	8lx	7lx	6lx	6lx
207.8fcd	52fcd	23.1fcd	13fcd	8.3fcd	5.8fcd	4.2fcd	3.2fcd	2.6fcd	2.1fcd	1.7fcd	1.4fcd	1.2fcd	1.1fcd	0.9fcd	0.8fcd	0.7fcd	0.6fcd	0.6fcd	0.5fcd

All the above information for fixtures with LED71TW-5020 modules are tested at 3000K

Factors to adjust lumen output for the following CCTs at 100% output for the colour are as follows:

2000K = 0.75

2700K = 0.93

3500K = 1.07

4000K = 1.11

5000K = 1.17