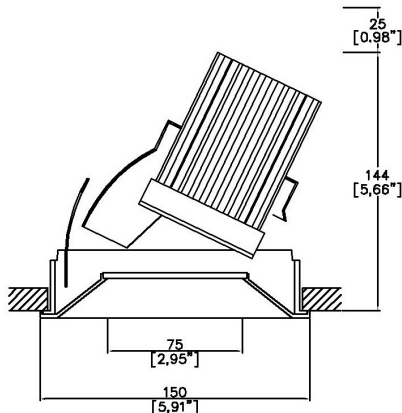


# Plus5 XL Conical Accent



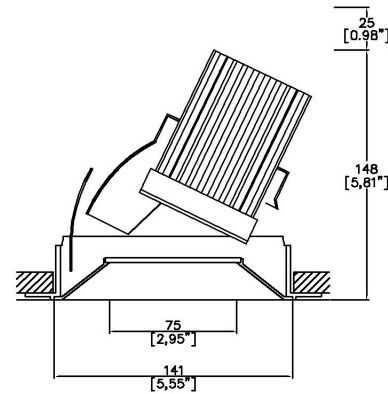
Plus provides high performance electronics and architectural aesthetics in round and square 3.5" and 5" trim. Plus products include adjustable, fixed and wallwash in a flanged or trimless installation kit. Adjustable can be provided with gear driven adjustment or manual adjustment. Available in various front plates (Conical, Bevel, Edge, Pyramidal and Square Bevel) Bevel and Square Bevel available with various color inserts. Tray, retrofit and housing installation methods (NIC, IC, AT, T24 and CCEA) Multiple configurations for equal spacing also available. Lucent modules available in a wide range of color temperatures, beam angles, intensities, and effects (Ambiance WarmDim and Dynamic Tuneable White). TRIAC/Phase, 0-10v/1-10v, DMX and DALI/Digital dimming.



A093+XL-LED-TR  
360° rotation. Up to 45° tilt.  
Cut-out 146mm Ø  
(5.75" Ø)



**Installation kit for overlap flange**



A093+XL-LED-TL  
360° rotation. Up to 45° tilt.  
Cut-out 146mm Ø  
(5.75" Ø)



**Mud-in kit for seamless/trimless**

LED Source	LED71TW	LED71TW	LED71TW
CCT range 5000K-2000K	@ 3000K	@ 3000K	@ 3000K
Drive Current (max per channel)	1000mA	1000mA	1000mA
Power inc Driver Max	27.5W	27.5W	27.5W
Beam Angle	19°	23°	42°
Delivered Lumens	1439	1406	1381
Delivered Intensity cd	5790	3677	2178
Efficacy lm/w	52	51	50
Forward Volt (max per channel)	23.4V	23.4V	23.4V
CRI	≥95 CRI	≥95 CRI	≥95 CRI

Project Ref: \_\_\_\_\_

Location Ref: \_\_\_\_\_

Specify fixture part number (All boxes must be filled in to correctly order)

A093+XL-LED					LED71WD	5020								
-------------	--	--	--	--	---------	------	--	--	--	--	--	--	--	--

**Installation**

- TR Flange kit
- TL Mud-in kit

**Finish**

- WH White
- BK Black
- RAL Custom\*

**Location**

- XX Dry
- DP Damp

**Ceiling Thickness**

- SC Standard Ceiling (1/2"-5/8"-3/4")
- C Custom

**LED Type**

- LED71TW LED71 Dynamic Tuneable White (95CRI)

**CCT**

- 5020 5000K - 2000K

**Beam Angles**

- 19 19
- 23 23
- 42 42

**Housing/Tray**

- LMT-15-NIC Mounting Tray Non-Insulated ceilings
- LH-8.50-NIC Housing 8.50" Non-Insulated ceilings
- LH-11.25-AT/IC Housing 11.25" Insulated/Air-tight ceilings and Chicago Plenum

**Mounting Hardware**

- 09 9" to 15.25" - Adjustable Bar Hanger Lengths
- 14 14" to 24" - Adjustable Bar Hanger Lengths
- 36 28" to 36" - Adjustable Bar Hanger Lengths
- BB Butterfly Bracket
- CB Caterpillar Bracket

**Supply Voltage**

- 120 120V
- 277 277V

**Dimming Protocol**

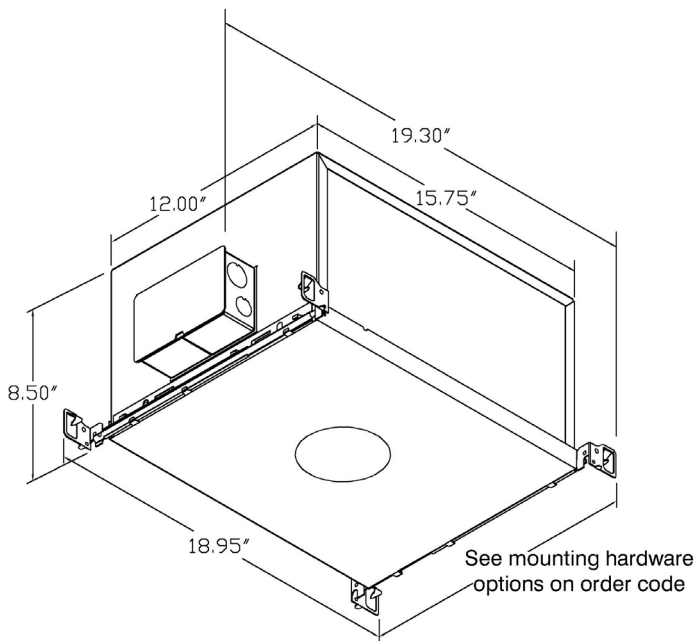
- A2 Analogue (0-10V) 2-Channel (0.1% Dimming)
- D6 DALI Type 6\*\* (0.1% Dimming)
- D8 DALI Type 8\*\* (0.1% Dimming)
- L Lutron (Consult Factory)

- Emergency**
- E 3hr Emergency
  - ES 3hr Self Test

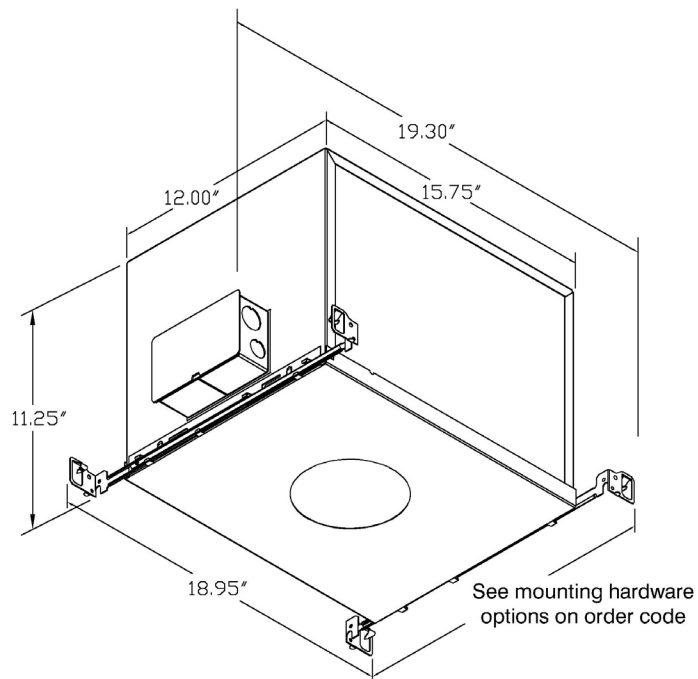
- Louvre/Lens**
- XX Not required
  - MD45 Honeycomb
  - MDUV UV
  - MDDF Solite/Diffusing
  - MDFR Frosted Lens
  - MDLS Linear Spread
  - MDHS Heavy Spread

\*Refer to Technical Details for more information

Housing dimensions

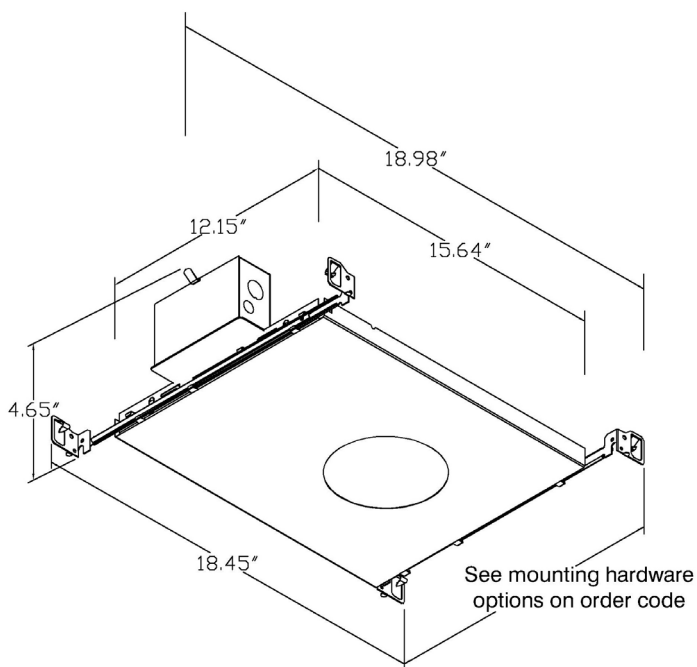


LH-8.50  
Non-insulated ceiling

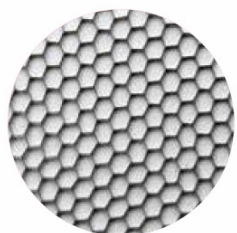


LH-11.25  
Insulated/air-tight ceilings and  
Chicago Plenum

Tray dimensions



LMT-15  
Non-insulated ceilings



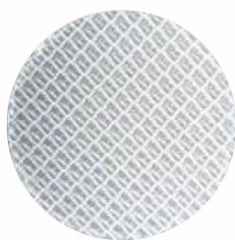
**Honeycomb Louvre (MD45)**



**Solite/Diffusing Lens (MDDF)**



**Frosted Lens (MDFR)**



**Heavy Spread Lens (MDHS)**



**Linear Spread Lens (MDLS)**

---

## Technical Details

\*Custom color requires a paint chip or RAL code and may increase price and lead-time

It is the responsibility of the specifier/integrator/installer to check and ensure compatibility of any control equipment used. Additional cabling may be required depending on the dimming protocol specified.

\*\*Bluetooth (wireless) is a communication protocol. The exact dimming protocol must be confirmed to allow the selection of suitable drivers or Bluetooth devices.

\*\*\*Non specific driver type, dimming performance depending on exact driver used. Contact Lucent Lighting for more information.

^ Depth indicated is the minimum recess depth for the luminaire with a remote mounted LED driver. Installing a driver through either the luminaire cut-out or installation kit may require additional recess depth, please refer to the relevant installation instructions prior to purchase.

First Fix Requirement. Luminaire comprised of fixture body with ceiling trim and installation kit, which is to be fitted into the ceiling once finished. Ensure correct alignment of the installation kit before final assembly (see luminaire installation instructions for details)

Location. Tested from underside of the ceiling.

Data correct at time of publishing. It is the policy of Lucent Lighting to continually review and improve its products and therefore reserve the right to change any details of product or withdraw specifications without prior notice.

This specification sheet supersedes all previous versions.

All intellectual property rights pertaining to the product described above and to this document are owned by or licensed to Lucent Lighting, Incorporated. Lucent Lighting reserves the right to take whatever action is necessary to protect its intellectual property, patents and trademarks

Please notify Lucent Lighting Inc. inaccuracies. E&OE

---



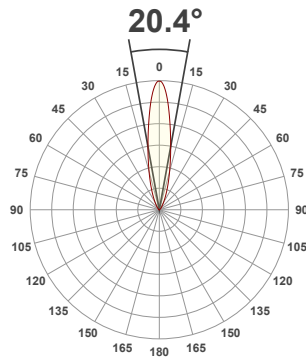
Light efficiency:



Light quality:



Color temperature:



Product name:

**093+XL-LED - LED71W-5020-19 - 3000K**

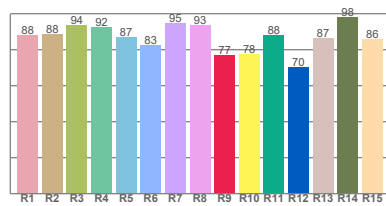
Item number:

**Plus XL Conical Accent - LED71W-5020-19 @ 3000K**

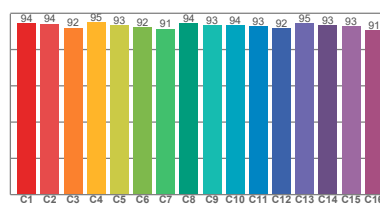
**Delivered information for above fixture and LED combination.**

**Output: 1439 Lumen Peak intensity: 5790 cd Power consumption: 27.5**

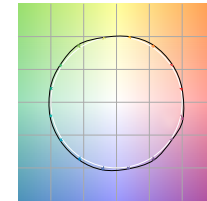
CRI R values



TM30 C Values

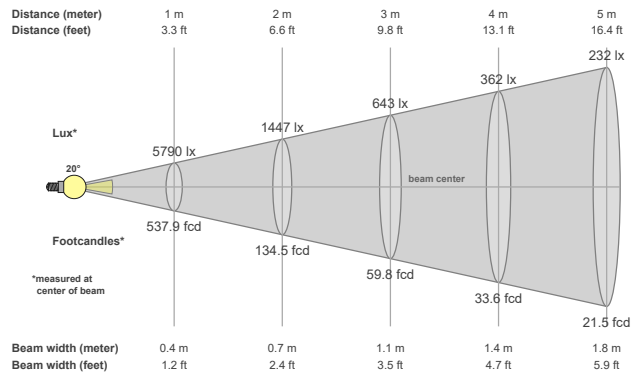


Color vector graphics



Color temperature	Color rendering index	Red component	Color fidelity	Color gamut	Color quality scale	Color coordinate cie 1931	Color coordinate cie 1931	Color coordinate	Color coordinate	Color deviation from black body
CCT	CRI	CRI R9	TM30 Rf	TM30 Rg	CQS	x	y	u	v	Δuv
3000 K	90.0	76.9	93.3	106.6	93.5	0.437	0.404	0.256	0.333	-0.0156

**Beam details**



**Beam angles**

Beam angle 50%	Field angle 10%	Cutoff angle 2,5%
20.4°	51.7°	81.4°

**Beam intensities**

Peak intensity	Int. ratio in 120° cone	Int. ratio in 90° cone
5790 cd	99.6%	96.0%

**Beam intensities from 1-20m**

1m	2m	3m	4m	5m	6m	7m	8m	9m	10m	11m	12m	13m	14m	15m	16m	17m	18m	19m	20m
3.3ft	6.6ft	9.8ft	13.1ft	16.4ft	19.7ft	23ft	26.2ft	29.5ft	32.8ft	36.1ft	39.4ft	42.7ft	45.9ft	49.2ft	52.5ft	55.8ft	59.1ft	62.3ft	65.6ft
5790lx	1447lx	643lx	362lx	232lx	161lx	118lx	90lx	71lx	58lx	48lx	40lx	34lx	30lx	26lx	23lx	20lx	18lx	16lx	14lx
537.9fcd	134.5fcd	59.8fcd	33.6fcd	21.5fcd	14.9fcd	11fcd	8.4fcd	6.6fcd	5.4fcd	4.4fcd	3.7fcd	3.2fcd	2.7fcd	2.4fcd	2.1fcd	1.9fcd	1.7fcd	1.5fcd	1.3fcd

All the above information for fixtures with LED71TW-5020 modules are tested at 3000K

Factors to adjust lumen output for the following CCTs at 100% output for the colour are as follows:

2000K = 0.75                      2700K = 0.93                      3500K = 1.07  
 4000K = 1.11                      5000K = 1.17

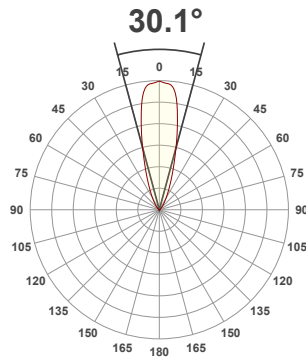
Light efficiency:



Light quality:



Color temperature:



Product name:

**093+XL-LED - LED71W-5020-24 - 3000K**

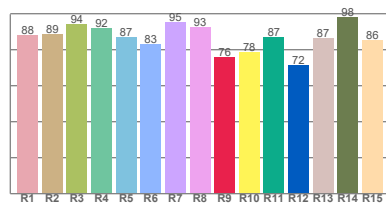
Item number:

**Plus XL Conical Accent - LED71W-5020-24 @ 3000K**

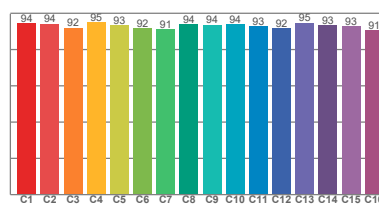
**Delivered information for above fixture and LED combination.**

**Output: 1406 Lumen Peak intensity: 3677 cd Power consumption: 27.5**

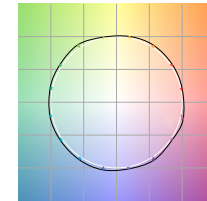
CRI R values



TM30 C Values

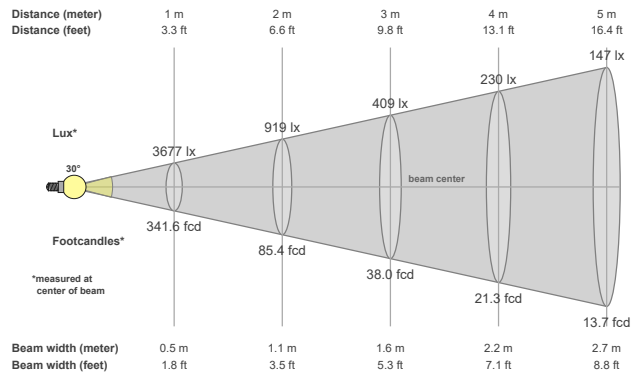


Color vector graphics



Color temperature	Color rendering index	Red component	Color fidelity	Color gamut	Color quality scale	Color coordinate cie 1931	Color coordinate cie 1931	Color coordinate	Color coordinate	Color deviation from black body
CCT	CRI	CRI R9	TM30 Rf	TM30 Rg	CQS	x	y	u	v	Δuv
3000 K	90.1	76.0	93.3	106.9	93.6	0.437	0.404	0.255	0.333	-0.0153

### Beam details



### Beam angles

Beam angle 50%	Field angle 10%	Cutoff angle 2,5%
30.1°	61.1°	91.7°

### Beam intensities

Peak intensity	Int. ratio in 120° cone	Int. ratio in 90° cone
3677 cd	99.3%	95.1%

### Beam intensities from 1-20m

1m	2m	3m	4m	5m	6m	7m	8m	9m	10m	11m	12m	13m	14m	15m	16m	17m	18m	19m	20m
3.3ft	6.6ft	9.8ft	13.1ft	16.4ft	19.7ft	23ft	26.2ft	29.5ft	32.8ft	36.1ft	39.4ft	42.7ft	45.9ft	49.2ft	52.5ft	55.8ft	59.1ft	62.3ft	65.6ft
3677lx	919lx	409lx	230lx	147lx	102lx	75lx	57lx	45lx	37lx	30lx	26lx	22lx	19lx	16lx	14lx	13lx	11lx	10lx	9lx
341.6fcd	85.4fcd	38fcd	21.3fcd	13.7fcd	9.5fcd	7fcd	5.3fcd	4.2fcd	3.4fcd	2.8fcd	2.4fcd	2fcd	1.7fcd	1.5fcd	1.3fcd	1.2fcd	1.1fcd	0.9fcd	0.9fcd

All the above information for fixtures with LED71TW-5020 modules are tested at 3000K

Factors to adjust lumen output for the following CCTs at 100% output for the colour are as follows:

2000K = 0.75

2700K = 0.93

3500K = 1.07

4000K = 1.11

5000K = 1.17

Light efficiency:

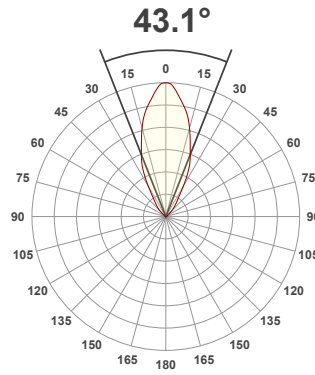
**50 Lumen/Watt**

Light quality:

**CRI: 90.2**

Color temperature:

**3000 K**



Product name:

**093+XL-LED - LED71W-5020-42 - 3000K**

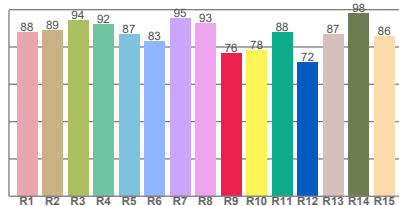
Item number:

**Plus XL Conical Accent - LED71W-5020-42 @ 3000K**

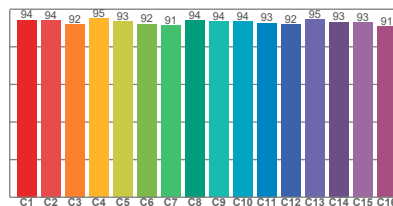
**Delivered information for above fixture and LED combination.**

**Output: 1381 Lumen Peak intensity: 2178 cd Power consumption: 27.5**

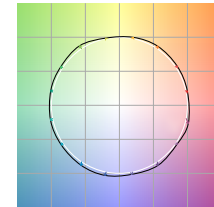
CRI R values



TM30 C Values

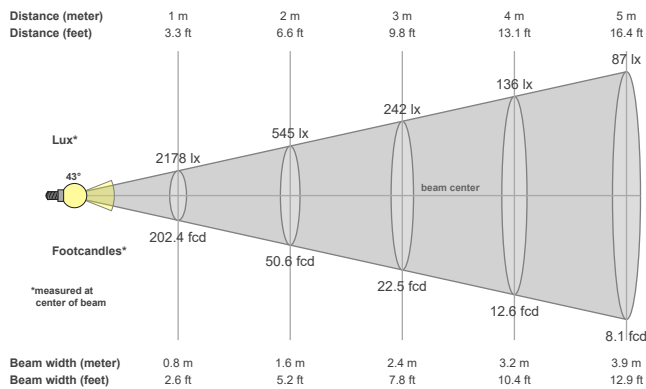


Color vector graphics



Color temperature	Color rendering index	Red component	Color fidelity	Color gamut	Color quality scale	Color coordinate cie 1931	Color coordinate cie 1931	Color coordinate	Color coordinate	Color deviation from black body
CCT	CRI	CRI R9	TM30 Rf	TM30 Rg	CQS	x	y	u	v	Δuv
3000 K	90.2	76.4	93.3	106.6	93.6	0.437	0.404	0.255	0.333	-0.0152

### Beam details



### Beam angles

Beam angle 50%	Field angle 10%	Cutoff angle 2,5%
43.1°	81.5°	103.5°

### Beam intensities

Peak intensity	Int. ratio in 120° cone	Int. ratio in 90° cone
2178 cd	99.5%	94.1%

### Beam intensities from 1-20m

1m	2m	3m	4m	5m	6m	7m	8m	9m	10m	11m	12m	13m	14m	15m	16m	17m	18m	19m	20m
3.3ft	6.6ft	9.8ft	13.1ft	16.4ft	19.7ft	23ft	26.2ft	29.5ft	32.8ft	36.1ft	39.4ft	42.7ft	45.9ft	49.2ft	52.5ft	55.8ft	59.1ft	62.3ft	65.6ft
2178lx	545lx	242lx	136lx	87lx	61lx	44lx	34lx	27lx	22lx	18lx	15lx	13lx	11lx	10lx	9lx	8lx	7lx	6lx	5lx
202.4fcd	50.6fcd	22.5fcd	12.6fcd	8.1fcd	5.6fcd	4.1fcd	3.2fcd	2.5fcd	2fcd	1.7fcd	1.4fcd	1.2fcd	1fcd	0.9fcd	0.8fcd	0.7fcd	0.6fcd	0.6fcd	0.5fcd

All the above information for fixtures with LED71TW-5020 modules are tested at 3000K

Factors to adjust lumen output for the following CCTs at 100% output for the colour are as follows:

2000K = 0.75

2700K = 0.93

3500K = 1.07

4000K = 1.11

5000K = 1.17