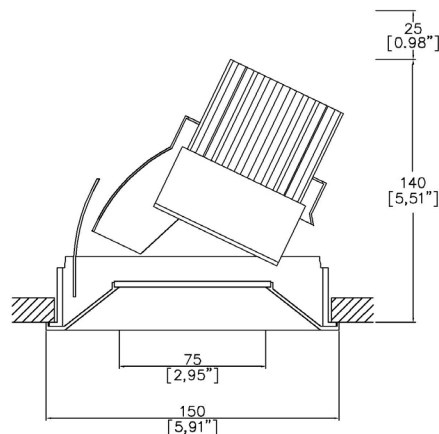


ProSpex Plus XL Conical Accent Trim



150mm (5.90") overall trim diameter. 360° rotation. Up to 45° tilt. Available with standard trim kit or plaster-in kit for flush appearance. Family of matching products also available. Required depth height + 25mm^



093+XL-LED-TR
Cut-out 142mm Ø

LED Source	LED71TW	LED71TW	LED71TW
CCT range 5000K-2000K	@ 5000K	@ 5000K	@ 5000K
Drive Current (max per channel)	1000mA	1000mA	1000mA
Power inc Driver Max	27.5W	27.5W	27.5W
Beam Angle	19°	23°	42°
Delivered Lumens	1439	1406	1381
Delivered Intensisty cd	5790	3677	2178
Efficacy lm/w	52	51	50
Forward Volt (max per channel)	23.4V	23.4V	23.4V
CRI	≥95 CRI	≥95 CRI	≥95 CRI

Project Ref: _____

Location Ref: _____

Fixture Order Code: - - -

Fixture
093+XL-LED-TR Plus XL Conical Accent Trim with LED71

Finish
WH White
BK Black
RAL Custom RAL Colour*

IP Rating
44 IP44

Emergency
E Maintained 3hr Emergency
ED Maintained 3hr DALI Self Test
ES Maintained 3hr Self Test



LED Order Code: - - -

LED
LED71TW LED70 ONE Tuneable White

CCT
5020 5000K - 2000K

Beam
19 19°
23 23°
42 42°

Protocol
D6 DALI Type 6**
D8 DALI Type 8**
B Bluetooth***



Honeycomb Louvre



Diffusing Lens



Frosted Lens



Heavy Spread Lens



Linear Spread Lens



Warm Tone

Accessories Order Code:

Louvre/Lens

- MD45 Honeycomb Louvre
- MDCC Warm Tone Lens
- MDUV UV Lens
- MDDF Diffusing Lens
- MDFR Frosted Lens
- MDLS Linear Spread Lens
- MDHS Heavy Spread Lens

Technical Details

*Custom RAL code must be specified. Custom RAL colours can increase prices and lead times

Dimming. Whilst Lucent can offer the majority of its luminaires with various dimming options, it remains the responsibility of the specifier/installer to check and ensure compatibility of any control equipment used. Additional cabling may be required depending on the dimming protocol specified.

**DALI Type 6 requires two DALI addresses, one for CCT control the other for Intesity control. DALI Type 8 is a single DALI Type 8 address for CCT and Intesity control. Please check which control system is being used before specifying.

***Bluetooth (wireless) is the communication method. The exact dimming protocol must be confirmed to allow the selection of suitable drivers or bluetooth devices.

^ Depth indicated is the minimum recess depth for the luminaire with a remote mounted LED driver. Installing a driver through either the luminaire cut-out or installation kit may require additional recess depth, please refer to the relevant luminaire installation instructions for further details.Data correct at time of publishing

First Fix Requirement. Luminaire comprised of fixture body with ceiling trim and installation kit, which is to be fitted into the ceiling once finished. Ensure correct alignment of the installation kit before final assembly (see luminaire instllation instructions for details)

IP Rating. Tested from underside of the ceiling

It is the policy of Lucent Lighting to continually review and improve its products and therefore reserve the right to change any details of product or withdraw specifications without prior notice.

Luminaires designed to comply with EN60598 and all other standards.

This specification sheet superseded all previous versions.

All intellectual property rights pertaining to the product described above and to this document are owned by or licensed to Lucent Lighting Ltd.

We reserve the right to take whatever action is necessary to protect those intellectual property rights.

Please notify Lucent Lighting Ltd of any inaccuracies immediately. E&OE

Light efficiency:

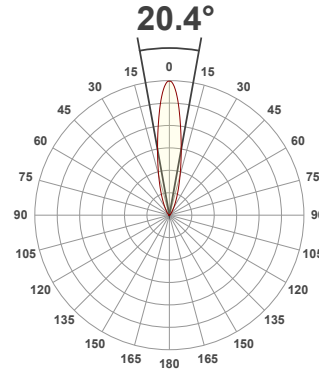
52 Lumen/Watt

Light quality:

CRI: 90.0

Color temperature:

3000 K



Product name:

093+XL-LED - LED71W-5020-19 - 3000K

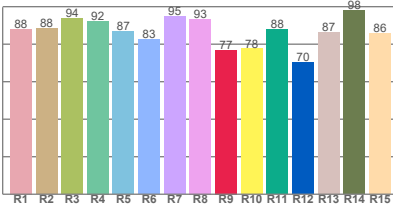
Item number:

Plus XL Conical Accent - LED71W-5020-19 @ 3000K

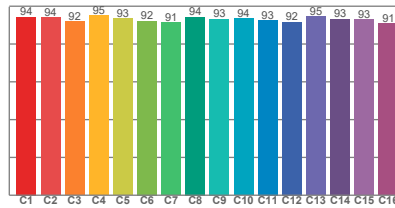
Delivered information for above fixture and LED combination.

Output: 1439 Lumen Peak intensity: 5790 cd Power consumption: 27.5

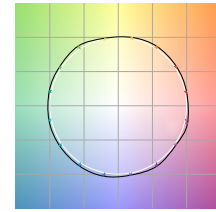
CRI R values



TM30 C Values

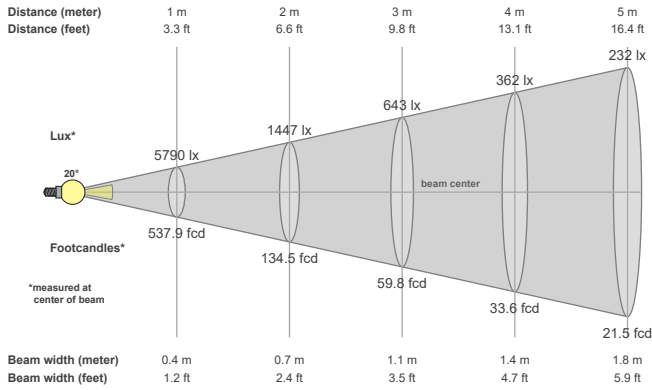


Color vector graphics



Color temperature	Color rendering index	Red component	Color fidelity	Color gamut	Color quality scale	Color coordinate cie 1931	Color coordinate cie 1931	Color coordinate	Color coordinate	Color deviation from black body
CCT	CRI	CRI R9	TM30 Rf	TM30 Rg	CQS	x	y	u	v	Δuv
3000 K	90.0	76.9	93.3	106.6	93.5	0.437	0.404	0.256	0.333	-0.0156

Beam details



Beam angles

Beam angle 50%	Field angle 10%	Cutoff angle 2,5%
20.4°	51.7°	81.4°

Beam intensities

Peak intensity	Int. ratio in 120° cone	Int. ratio in 90° cone
5790 cd	99.6%	96.0%

Beam intensities from 1-20m

1m	2m	3m	4m	5m	6m	7m	8m	9m	10m	11m	12m	13m	14m	15m	16m	17m	18m	19m	20m
3.3ft	6.6ft	9.8ft	13.1ft	16.4ft	19.7ft	23ft	26.2ft	29.5ft	32.8ft	36.1ft	39.4ft	42.7ft	45.9ft	49.2ft	52.5ft	55.8ft	59.1ft	62.3ft	65.6ft
5790lx	1447lx	643lx	362lx	232lx	161lx	118lx	90lx	71lx	58lx	48lx	40lx	34lx	30lx	26lx	23lx	20lx	18lx	16lx	14lx
537.9fcd	134.5fcd	59.8fcd	33.6fcd	21.5fcd	14.9fcd	11fcd	8.4fcd	6.6fcd	5.4fcd	4.4fcd	3.7fcd	3.2fcd	2.7fcd	2.4fcd	2.1fcd	1.9fcd	1.7fcd	1.5fcd	1.3fcd

All the above information for fixtures with LED71TW-5020 modules are tested at 3000K

Factors to adjust lumen output for the following CCTs at 100% output for the colour are as follows:

2000K = 0.75

2700K = 0.93

3500K = 1.07

4000K = 1.11

5000K = 1.17

Light efficiency:

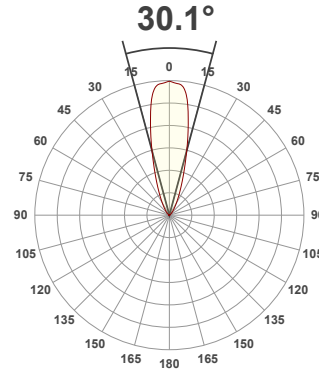
51 Lumen/Watt

Light quality:

CRI: 90.1

Color temperature:

3000 K



Product name:

093+XL-LED - LED71W-5020-24 - 3000K

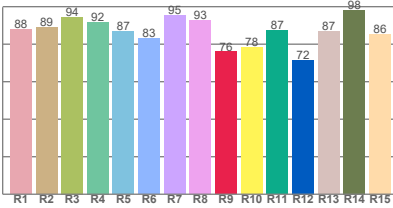
Item number:

Plus XL Conical Accent - LED71W-5020-24 @ 3000K

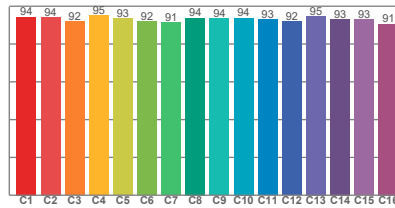
Delivered information for above fixture and LED combination.

Output: 1406 Lumen Peak intensity: 3677 cd Power consumption: 27.5

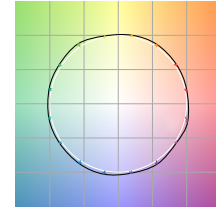
CRI R values



TM30 C Values

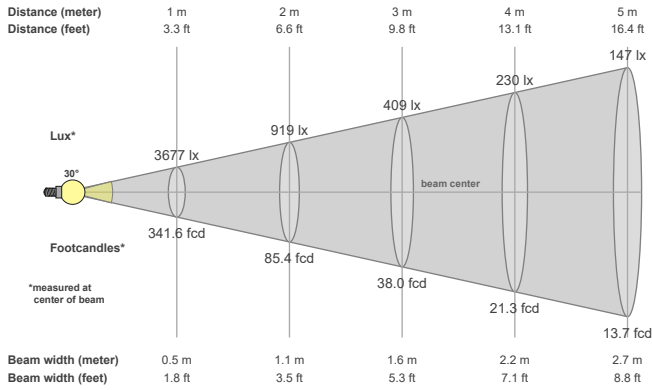


Color vector graphics



Color temperature	Color rendering index	Red component	Color fidelity	Color gamut	Color quality scale	Color coordinate cie 1931	Color coordinate cie 1931	Color coordinate	Color coordinate	Color deviation from black body
CCT	CRI	CRI R9	TM30 Rf	TM30 Rg	CQS	x	y	u	v	Δuv
3000 K	90.1	76.0	93.3	106.9	93.6	0.437	0.404	0.255	0.333	-0.0153

Beam details



Beam angles

Beam angle 50%	Field angle 10%	Cutoff angle 2,5%
30.1°	61.1°	91.7°

Beam intensities

Peak intensity	Int. ratio in 120° cone	Int. ratio in 90° cone
3677 cd	99.3%	95.1%

Beam intensities from 1-20m

1m	2m	3m	4m	5m	6m	7m	8m	9m	10m	11m	12m	13m	14m	15m	16m	17m	18m	19m	20m
3.3ft	6.6ft	9.8ft	13.1ft	16.4ft	19.7ft	23ft	26.2ft	29.5ft	32.8ft	36.1ft	39.4ft	42.7ft	45.9ft	49.2ft	52.5ft	55.8ft	59.1ft	62.3ft	65.6ft
3677lx	919lx	409lx	230lx	147lx	102lx	75lx	57lx	45lx	37lx	30lx	26lx	22lx	19lx	16lx	14lx	13lx	11lx	10lx	9lx
341.6fc d	85.4fcd	38fcd	21.3fcd	13.7fcd	9.5fcd	7fcd	5.3fcd	4.2fcd	3.4fcd	2.8fcd	2.4fcd	2fcd	1.7fcd	1.5fcd	1.3fcd	1.2fcd	1.1fcd	0.9fcd	0.9fcd

All the above information for fixtures with LED71TW-5020 modules are tested at 3000K

Factors to adjust lumen output for the following CCTs at 100% output for the colour are as follows:

2000K = 0.75

2700K = 0.93

3500K = 1.07

4000K = 1.11

5000K = 1.17

Light efficiency:

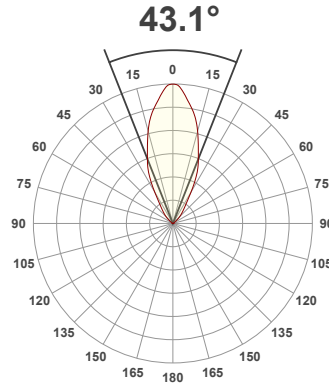
50 Lumen/Watt

Light quality:

CRI: 90.2

Color temperature:

3000 K



Product name:

093+XL-LED - LED71W-5020-42 - 3000K

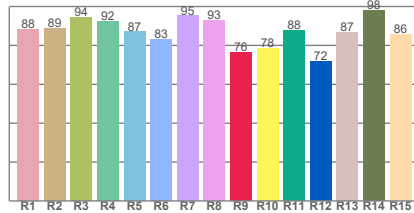
Item number:

Plus XL Conical Accent - LED71W-5020-42 @ 3000K

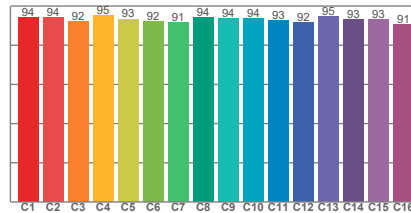
Delivered information for above fixture and LED combination.

Output: 1381 Lumen Peak intensity: 2178 cd Power consumption: 27.5

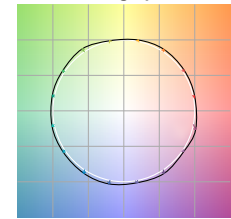
CRI R values



TM30 C Values

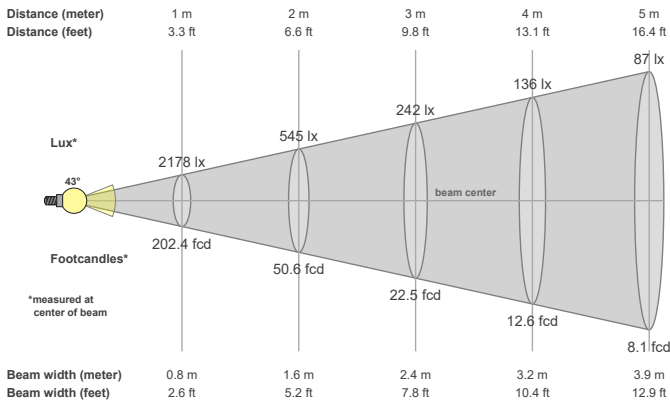


Color vector graphics



Color temperature	Color rendering index	Red component	Color fidelity	Color gamut	Color quality scale	Color coordinate cie 1931	Color coordinate cie 1931	Color coordinate	Color coordinate	Color deviation from black body
CCT	CRI	CRI R9	TM30 Rf	TM30 Rg	CQS	x	y	u	v	Δuv
3000 K	90.2	76.4	93.3	106.6	93.6	0.437	0.404	0.255	0.333	-0.0152

Beam details



Beam angles

Beam angle 50%	Field angle 10%	Cutoff angle 2,5%
43.1°	81.5°	103.5°

Beam intensities

Peak intensity	Int. ratio in 120° cone	Int. ratio in 90° cone
2178 cd	99.5%	94.1%

Beam intensities from 1-20m

1m	2m	3m	4m	5m	6m	7m	8m	9m	10m	11m	12m	13m	14m	15m	16m	17m	18m	19m	20m
3.3ft	6.6ft	9.8ft	13.1ft	16.4ft	19.7ft	23ft	26.2ft	29.5ft	32.8ft	36.1ft	39.4ft	42.7ft	45.9ft	49.2ft	52.5ft	55.8ft	59.1ft	62.3ft	65.6ft
2178lx	545lx	242lx	136lx	87lx	61lx	44lx	34lx	27lx	22lx	18lx	15lx	13lx	11lx	10lx	9lx	8lx	7lx	6lx	5lx
202.4fcd	50.6fcd	22.5fcd	12.6fcd	8.1fcd	5.6fcd	4.1fcd	3.2fcd	2.5fcd	2fcd	1.7fcd	1.4fcd	1.2fcd	1fcd	0.9fcd	0.8fcd	0.7fcd	0.6fcd	0.6fcd	0.5fcd

All the above information for fixtures with LED71TW-5020 modules are tested at 3000K

Factors to adjust lumen output for the following CCTs at 100% output for the colour are as follows:

2000K = 0.75

2700K = 0.93

3500K = 1.07

4000K = 1.11

5000K = 1.17