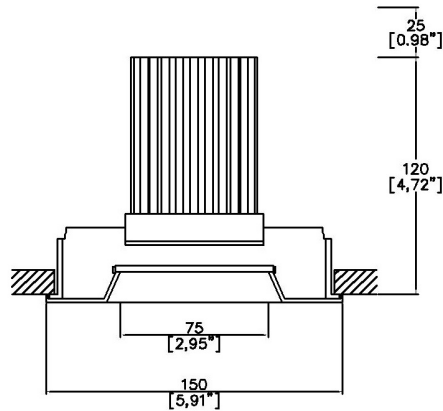


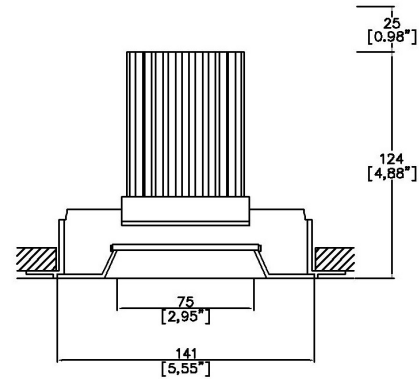
Plus5 XL Bevel Fixed



Plus provides high performance electronics and architectural aesthetics in round and square 3.5” and 5” trim. Plus products include adjustable, fixed and wallwash in a flanged or trimless installation kit. Adjustable can be provided with gear driven adjustment or manual adjustment. Available in various front plates (Conical, Bevel, Edge, Pyramidal and Square Bevel) Bevel and Square Bevel available with various color inserts. Tray, retrofit and housing installation methods (NIC, IC, AT, T24 and CCEA) Multiple configurations for equal spacing also available. Lucent modules available in a wide range of color temperatures, beam angles, intensities, and effects (Ambiance WarmDim and Dynamic Tuneable White). TRIAC/Phase, 0-10v/1-10v, DMX and DALI/Digital dimming.



A090+XL-13-LED-TR
Cut-out 146mm Ø
(5.75" Ø)



A090+XL-13-LED-TL
Cut-out 146mm Ø
(5.75" Ø)



Installation kit for overlap flange



Mud-in kit for seamless/trimless

LED Source	LED71WD	LED71WD	LED71WD
CCT	3000K	3000K	3000K
Drive Current	1000mA	1000mA	1000mA
Power inc Driver	27W	27W	27W
Beam Angle	19°	23°	42°
Delivered Lumens	1562	1503	1448
Delivered Intensisty cd	6289	4701	2077
Efficacy lm/w	58	56	54
Forward Volt	23V	23V	23V
CRI	≥95 CRI	≥95 CRI	≥95 CRI
Test results at full output			

Project Ref: _____

Location Ref: _____

Specify fixture part number (All boxes must be filled in to correctly order)

A090+XL-13-LED					LED71WD									
----------------	--	--	--	--	---------	--	--	--	--	--	--	--	--	--

Installation

- TR Flange kit
- TL Mud-in kit

Finish

- WH White
- BK Black
- RAL Custom*

Location

- XX Dry
- DP Damp

Ceiling Thickness

- SC Standard Ceiling (1/2"-5/8"-3/4")
- C Custom

LED Type

- LED71WD LED71 Ambiance WarmDim (95CRI)

CCT

- 2720 2700K - 2000K
- 3020 3000K - 2000K

Beam Angles

- 19 19
- 23 23
- 42 42

Housing/Tray

- LMT-15-NIC Mounting Tray Non-Insulated ceilings
- LH-8.50-NIC Housing 8.50" Non-Insulated ceilings
- LH-11.25-AT/IC Housing 11.25" Insulated/Air-tight ceilings and Chicago Plenum

Mounting Hardware

- 09 9" to 15.25" - Adjustable Bar Hanger Lengths
- 14 14" to 24" - Adjustable Bar Hanger Lengths
- 36 28" to 36" - Adjustable Bar Hanger Lengths
- BB Butterfly Bracket
- CB Caterpillar Bracket

Supply Voltage

- 120 120V
- 277 277V

Dimming Protocol

- S Non-Dimmable
- P TRIAC/Phase (120V ONLY) (25-10% Minimum Dimming)***
- LP Lutron Forward Phase 2-Wire (1% Dimming) (120V ONLY)
- ESS EcoSystem 5-Series (5% Dimming)
- LHE EcoSystem Hi-Lume Fade to Black (1% Dimming)
- LAE Lutron 3-Wire Hi-Lume (1% Dimming)
- LHP Lutron Hi-Lume Premier EcoSystem (0.1% Dimming)
- A 0-10V (15-5% Minimum Dimming)***
- B Bluetooth**

Emergency

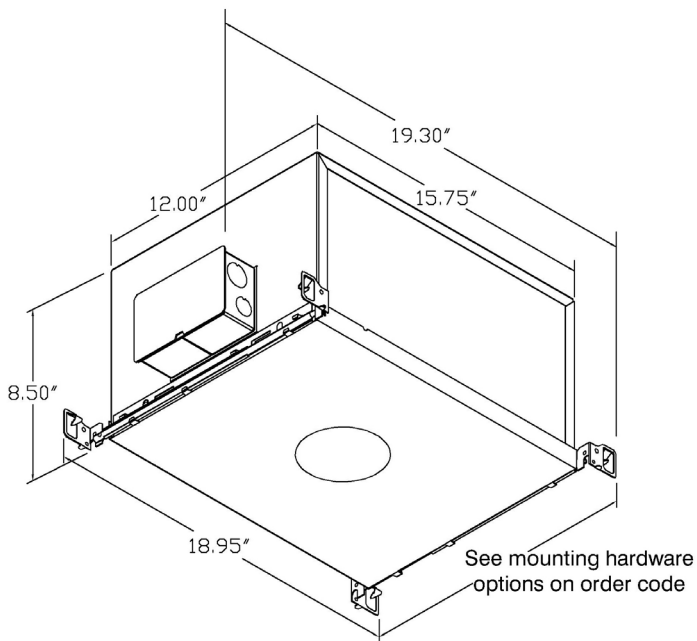
- E 3hr Emergency
- ES 3hr Self Test

Louvre/Lens

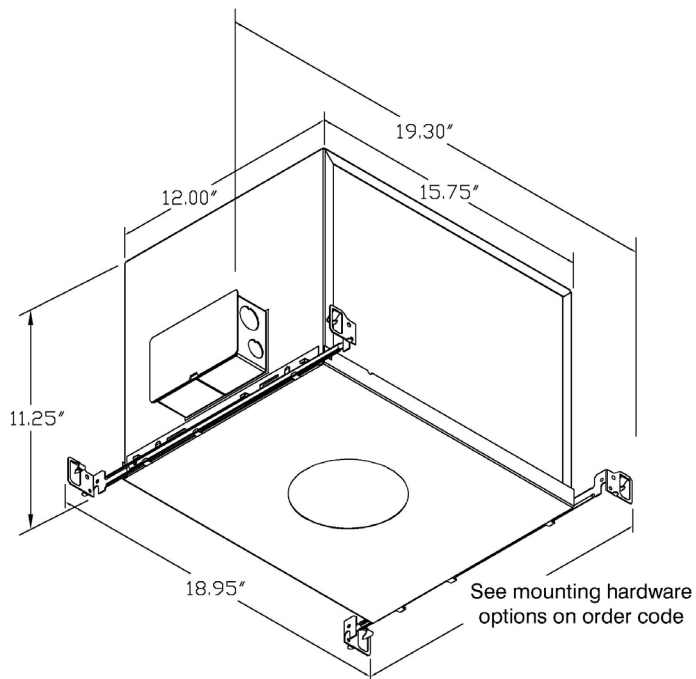
- XX Not required
- MD45 Honeycomb
- MDUV UV
- MDDF Solite/Diffusing
- MDFR Frosted Lens
- MDLS Linear Spread
- MDHS Heavy Spread

*Refer to Technical Details for more information

Housing dimensions

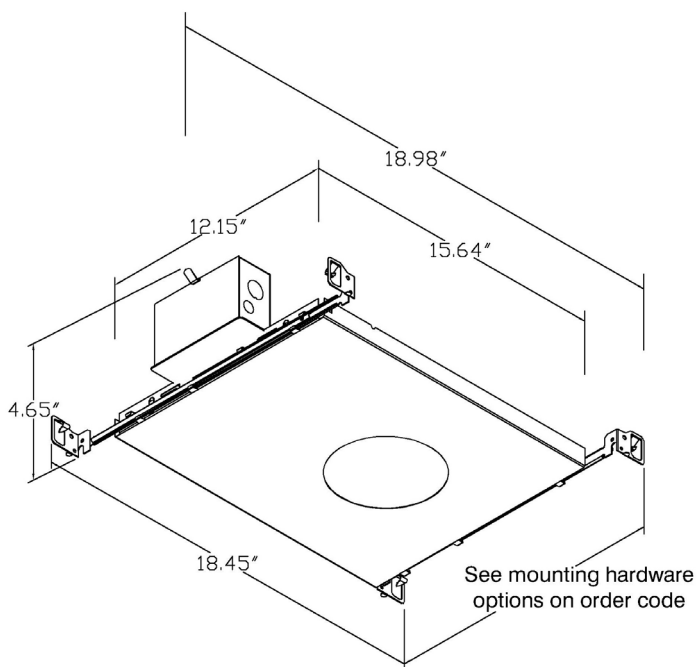


LH-8.50
Non-insulated ceiling



LH-11.25
Insulated/air-tight ceilings and
Chicago Plenum

Tray dimensions



LMT-15
Non-insulated ceilings



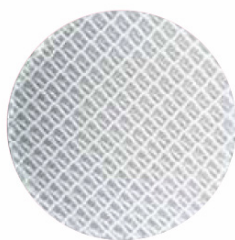
Honeycomb Louvre (MD45)



Solite/Diffusing Lens (MDDF)



Frosted Lens (MDFR)



Heavy Spread Lens (MDHS)



Linear Spread Lens (MDLS)

Technical Details

*Custom color requires a paint chip or RAL code and may increase price and lead-time

It is the responsibility of the specifier/integrator/installer to check and ensure compatibility of any control equipment used. Additional cabling may be required depending on the dimming protocol specified.

**Bluetooth (wireless) is a communication protocol. The exact dimming protocol must be confirmed to allow the selection of suitable drivers or Bluetooth devices.

***Non specific driver type, dimming performance depending on exact driver used. Contact Lucent Lighting for more information.

^ Depth indicated is the minimum recess depth for the luminaire with a remote mounted LED driver. Installing a driver through either the luminaire cut-out or installation kit may require additional recess depth, please refer to the relevant installation instructions prior to purchase.

First Fix Requirement. Luminaire comprised of fixture body with ceiling trim and installation kit, which is to be fitted into the ceiling once finished. Ensure correct alignment of the installation kit before final assembly (see luminaire installation instructions for details)

Location. Tested from underside of the ceiling.

Data correct at time of publishing. It is the policy of Lucent Lighting to continually review and improve its products and therefore reserve the right to change any details of product or withdraw specifications without prior notice.

This specification sheet supersedes all previous versions.

All intellectual property rights pertaining to the product described above and to this document are owned by or licensed to Lucent Lighting, Incorporated. Lucent Lighting reserves the right to take whatever action is necessary to protect its intellectual property, patents and trademarks

Please notify Lucent Lighting Inc. inaccuracies. E&OE



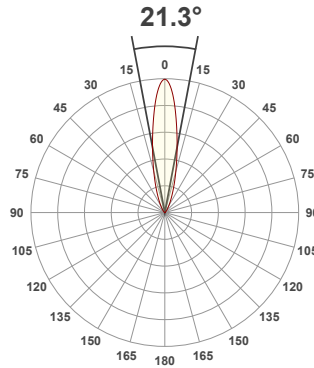
Light efficiency:



Light quality:



Color temperature:



Product name:

090+13-XL-LED - LED71WD-3020-19

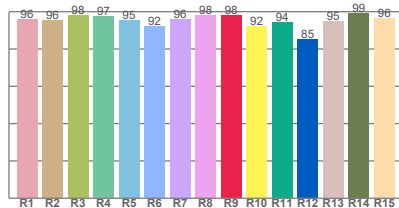
Item number:

Plus XL Bevel Fixed LED71WD-3020-19 - 1000mA

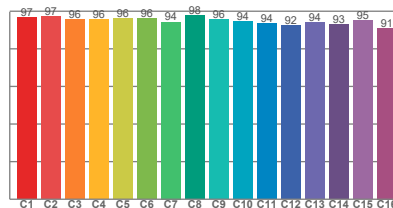
Delivered information for above fixture and LED combination.

Output: 1562 Lumen Peak intensity: 6289 cd Power consumption: 27.0

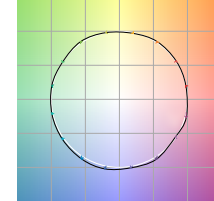
CRI R values



TM30 C Values

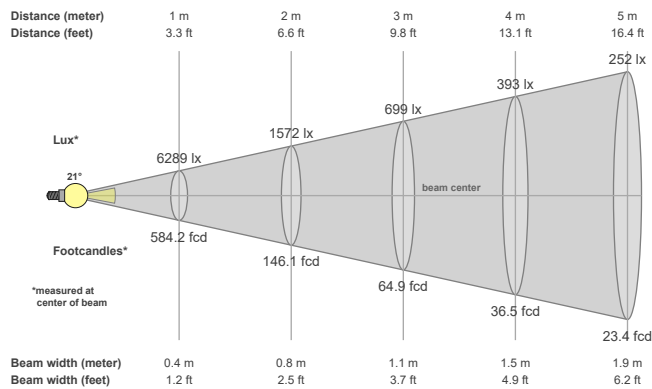


Color vector graphics



Color temperature	Color rendering index	Red component	Color fidelity	Color gamut	Color quality scale	Color coordinate cie 1931	Color coordinate cie 1931	Color coordinate	Color coordinate	Color deviation from black body
CCT	CRI	CRI R9	TM30 Rf	TM30 Rg	CQS	x	y	u	v	Δuv
3000 K	96.0	98.0	95.1	102.5	95.2	0.437	0.404	0.251	0.348	-0.0059

Beam details



Beam angles

Beam angle 50%	Field angle 10%	Cutoff angle 2,5%
21.3°	51.2°	79.2°

Beam intensities

Peak intensity	Int. ratio in 120° cone	Int. ratio in 90° cone
6289 cd	99.7%	96.6%

Beam intensities from 1-20m

1m	2m	3m	4m	5m	6m	7m	8m	9m	10m	11m	12m	13m	14m	15m	16m	17m	18m	19m	20m
3.3ft	6.6ft	9.8ft	13.1ft	16.4ft	19.7ft	23ft	26.2ft	29.5ft	32.8ft	36.1ft	39.4ft	42.7ft	45.9ft	49.2ft	52.5ft	55.8ft	59.1ft	62.3ft	65.6ft
6289lx	1572lx	699lx	393lx	252lx	175lx	128lx	98lx	78lx	63lx	52lx	44lx	37lx	32lx	28lx	25lx	22lx	19lx	17lx	16lx
584.2fcd	146.1fcd	64.9fcd	36.5fcd	23.4fcd	16.2fcd	11.9fcd	9.1fcd	7.2fcd	5.8fcd	4.8fcd	4.1fcd	3.5fcd	3fcd	2.6fcd	2.3fcd	2fcd	1.8fcd	1.6fcd	1.5fcd

The above information is for 3000K colour temperature, for specific module information please see LED spec located on our website

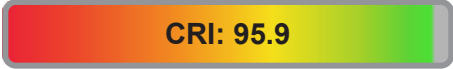
For information regarding other colour temperatures please use the following factors for lumen output and candelas:

2700K = 0.85

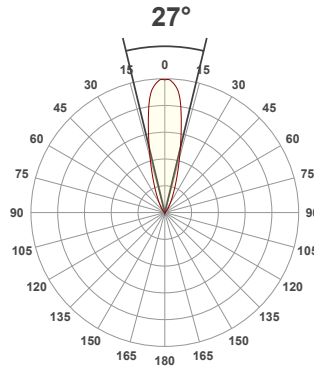
Light efficiency:



Light quality:



Color temperature:



Product name:

090+13-XL-LED - LED71WD-3020-23

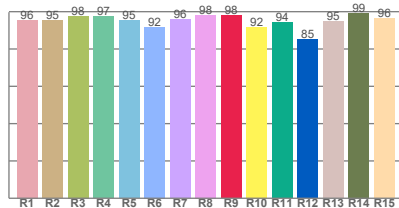
Item number:

Plus XL Bevel Fixed LED71WD-3020-24 - 1000mA

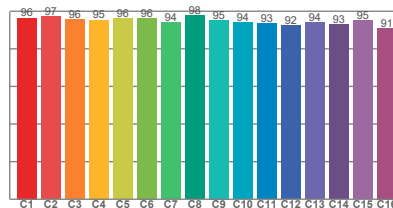
Delivered information for above fixture and LED combination.

Output: 1503 Lumen Peak intensity: 4701 cd Power consumption: 27.0

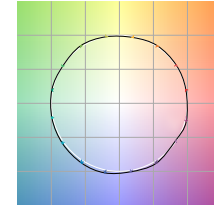
CRI R values



TM30 C Values

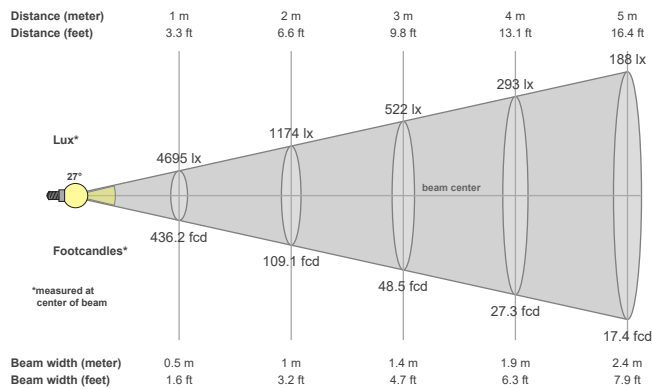


Color vector graphics



Color temperature	Color rendering index	Red component	Color fidelity	Color gamut	Color quality scale	Color coordinate cie 1931	Color coordinate cie 1931	Color coordinate	Color coordinate	Color deviation from black body
CCT	CRI	CRI R9	TM30 Rf	TM30 Rg	CQS	x	y	u	v	Δuv
3000 K	95.9	97.9	95.0	102.4	95.2	0.437	0.404	0.251	0.348	-0.0060

Beam details



Beam angles

Beam angle 50%	Field angle 10%	Cutoff angle 2,5%
27°	56.5°	83.4°

Beam intensities

Peak intensity	Int. ratio in 120° cone	Int. ratio in 90° cone
4701 cd	99.8%	96.9%

Beam intensities from 1-20m

1m	2m	3m	4m	5m	6m	7m	8m	9m	10m	11m	12m	13m	14m	15m	16m	17m	18m	19m	20m
3.3ft	6.6ft	9.8ft	13.1ft	16.4ft	19.7ft	23ft	26.2ft	29.5ft	32.8ft	36.1ft	39.4ft	42.7ft	45.9ft	49.2ft	52.5ft	55.8ft	59.1ft	62.3ft	65.6ft
4695lx	1174lx	522lx	293lx	188lx	130lx	96lx	73lx	58lx	47lx	39lx	33lx	28lx	24lx	21lx	18lx	16lx	14lx	13lx	12lx
436.2fcd	109.1fcd	48.5fcd	27.3fcd	17.4fcd	12.1fcd	8.9fcd	6.8fcd	5.4fcd	4.4fcd	3.6fcd	3fcd	2.6fcd	2.2fcd	1.9fcd	1.7fcd	1.5fcd	1.3fcd	1.2fcd	1.1fcd

The above information is for 3000K colour temperature, for specific module information please see LED spec located on our website

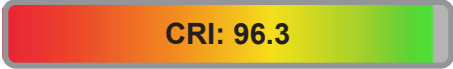
For information regarding other colour temperatures please use the following factors for lumen output and candelas:

2700K = 0.85

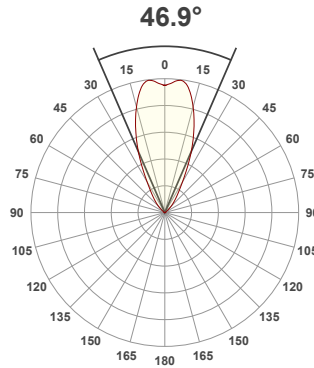
Light efficiency:



Light quality:



Color temperature:



Product name:

090+13-XL-LED - LED71WD-3020-42

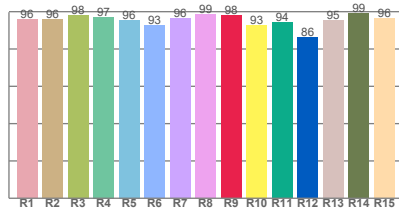
Item number:

Plus XL Bevel Fixed LED71WD-3020-42 - 1000mA

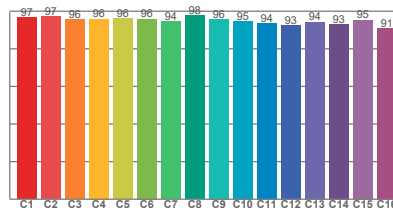
Delivered information for above fixture and LED combination.

Output: 1448 Lumen Peak intensity: 2077 cd Power consumption: 27.0

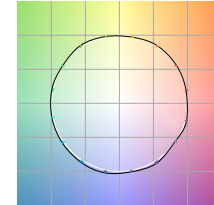
CRI R values



TM30 C Values

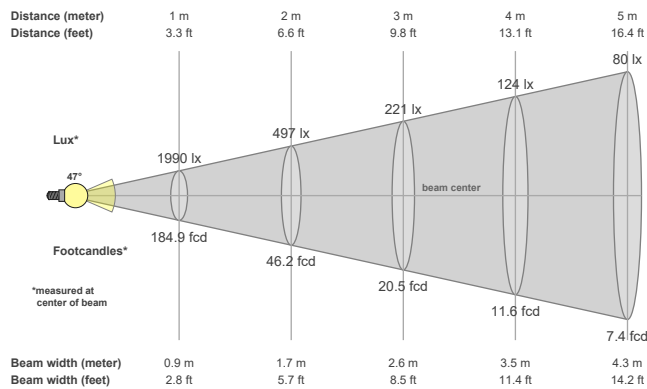


Color vector graphics



Color temperature	Color rendering index	Red component	Color fidelity	Color gamut	Color quality scale	Color coordinate cie 1931	Color coordinate cie 1931	Color coordinate	Color coordinate	Color deviation from black body
CCT	CRI	CRI R9	TM30 Rf	TM30 Rg	CQS	x	y	u	v	Δuv
3000 K	96.3	98.0	95.2	102.7	95.2	0.437	0.404	0.251	0.348	-0.0057

Beam details



Beam angles

Beam angle 50%	Field angle 10%	Cutoff angle 2,5%
46.9°	82.3°	103.7°

Beam intensities

Peak intensity	Int. ratio in 120° cone	Int. ratio in 90° cone
2077 cd	99.7%	94.7%

Beam intensities from 1-20m

1m	2m	3m	4m	5m	6m	7m	8m	9m	10m	11m	12m	13m	14m	15m	16m	17m	18m	19m	20m
3.3ft	6.6ft	9.8ft	13.1ft	16.4ft	19.7ft	23ft	26.2ft	29.5ft	32.8ft	36.1ft	39.4ft	42.7ft	45.9ft	49.2ft	52.5ft	55.8ft	59.1ft	62.3ft	65.6ft
1990lx	497lx	221lx	124lx	80lx	55lx	41lx	31lx	25lx	20lx	16lx	14lx	12lx	10lx	9lx	8lx	7lx	6lx	6lx	5lx
184.9fcd	46.2fcd	20.5fcd	11.6fcd	7.4fcd	5.1fcd	3.8fcd	2.9fcd	2.3fcd	1.8fcd	1.5fcd	1.3fcd	1.1fcd	0.9fcd	0.8fcd	0.7fcd	0.6fcd	0.6fcd	0.5fcd	0.5fcd

The above information is for 3000K colour temperature, for specific module information please see LED spec located on our website

For information regarding other colour temperatures please use the following factors for lumen output and candelas:

2700K = 0.85