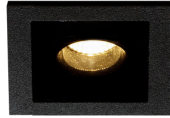
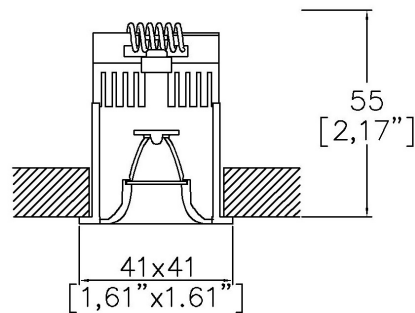


Line 1LED Flare



41 x 41mm (1.61" x 1.61") overall dimension. Fully recessed downlight for interior installation with remote driver installation. Family of matching products also available.



2601-FL-TR

LED Source	LED	LED	LED
CCT	3000K	3000K	3000K
Drive Current	700mA	700mA	700mA
Power inc Driver	2.6W	2.6W	2.6W
Beam Angle	12°	34°	48°
Delivered Lumens	141	157	163
Delivered Intensity cd	1494	504	328
Efficacy lm/w	54	60	63
Forward Volt	3V	3V	3V
CRI	≥90 CRI	≥90 CRI	≥90 CRI

Project Ref: _____

Location Ref: _____

Fixture Order Code: 2601-FL-TR - [] - [] - [] - []

Fixture 2601-FL-TR Line ILED Flared Baffle Trim

CCT 27 90 CRI 2700K
30 90 CRI 3000K
40 90 CRI 4000K

Finish BK Black*

Beam 12 12°
34 34°
48 48°

Protocol (Remote Driver) S Non-Dim
A Analogue (0-10v)
P Phase
D DALI
B Bluetooth**

Required depth is for the fitting only. If drivers need to be located locally the depth requirement may increase depending on the driver. Please contact Lucent Lighting for more information.

Technical Details

*Other RAL trim finishes upon application

Dimming. Whilst Lucent can offer the majority of its luminaires with various dimming options, it remains the responsibility of the specifier/installer to check and ensure compatibility of any control equipment used.

**Bluetooth (wireless) is the communication method. The exact dimming protocol must be confirmed to allow the selection of suitable drivers or bluetooth devices.

^ Depth indicated is the minimum recess depth for the luminaire with a remote mounted LED driver. Installing a driver through either the luminaire cut-out or installation kit may require additional recess depth, please refer to the relevant luminaire installation instructions for further details.

First Fix Requirement. Luminaire comprised of fixture body with ceiling trim and installation kit, which is to be fitted into the ceiling once finished.

IP Rating. Tested from underside of the ceiling

It is the policy of Lucent Lighting to continually review and improve its products and therefore reserve the right to change any details of product or withdraw specifications without prior notice.

Luminaires designed to comply with EN60598 and all other standards.

This specification sheet supersedes all previous versions.

All intellectual property rights pertaining to the product described above and to this document are owned by or licensed to Lucent Lighting Ltd.

We reserve the right to take whatever action is necessary to protect those intellectual property rights.

Please notify Lucent Lighting Ltd of any inaccuracies immediately. E&OE