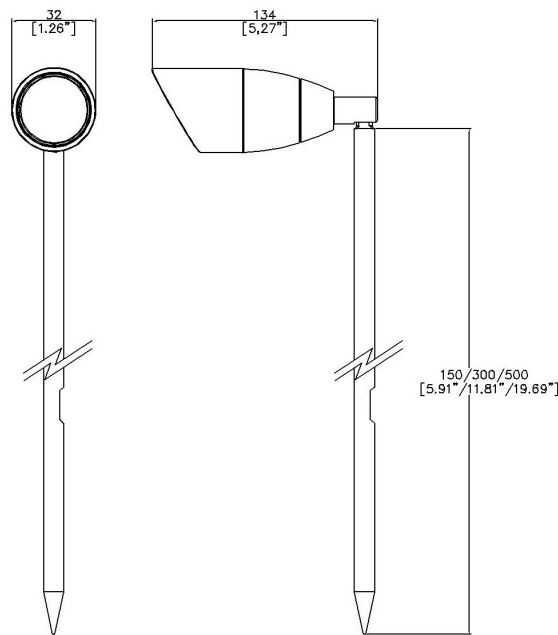


# VistaMini Spot Spike



32mm (1.97") overall diameter. IP65 constant voltage exterior grade spike mounted fully adjustable spotlight. 90° Pivot and 359° rotation.

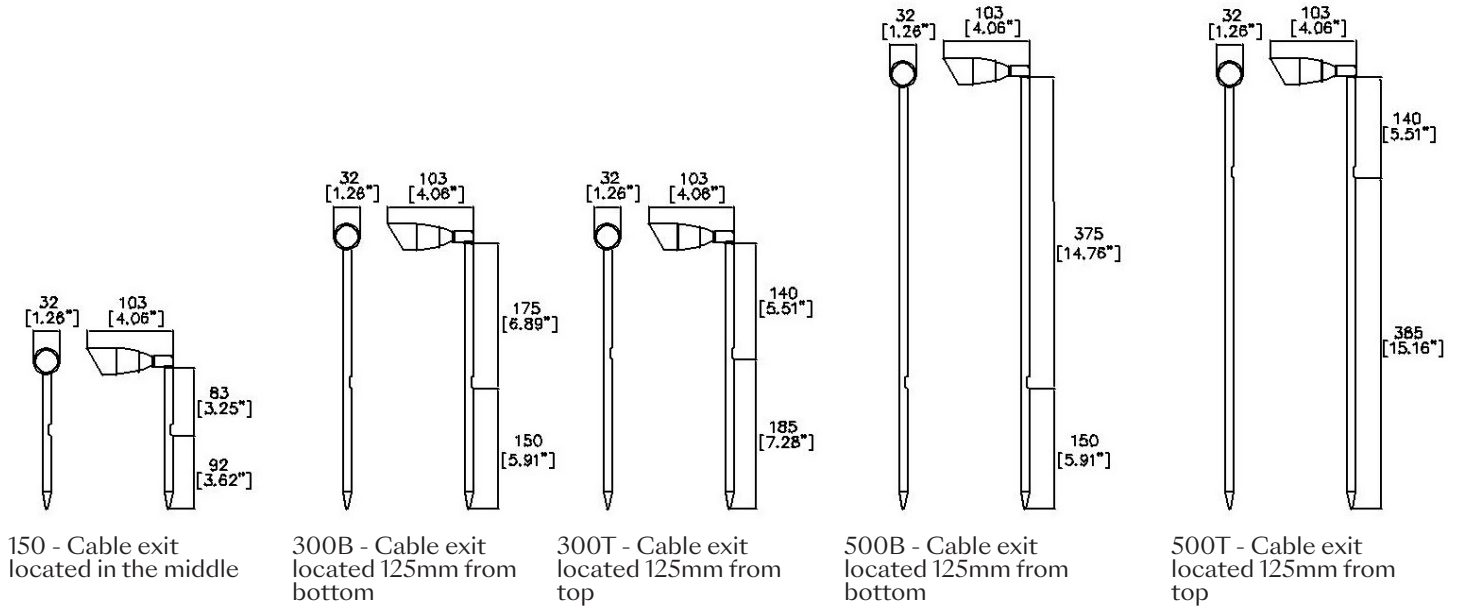


VS002-K

LED Source	LED	LED
CCT	2700K	2700K
Supply Voltage	24v	24v
Power inc Driver	1.5W	1.5W
Beam Angle	14°	28°
Delivered Lumens	104	93
Delivered Intensisty cd	1241	333
Efficacy lm/w	69	62
CRI	≥90 CRI	≥90 CRI
Ingress Protection	IP65	IP65

Project Ref: \_\_\_\_\_

Location Ref: \_\_\_\_\_



Fixture Order Code:  -  -  -  -  -  -

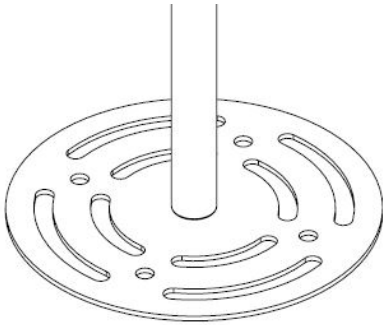
Fixture VS002	VistaMini Spot
CCT 27	2700K
Beam 14 28	14° 28°
Finish BK	Black
Mount K	Spike Mounted
Protocol S A P D	Non-Dim Analogue (0-10v) Phase DALI
Stem Length 150 300B 300T 500B 500T	150mm length. Cable exit located in the middle 300mm length. Cable exit 125mm from bottom 300mm length. Cable exit 125mm from top 500mm length. Cable exit 125mm from bottom 500mm length. Cable exit 125mm from top

Please refer to installation instruction for wiring diagram  
 All Lucent Vista products are supplied with a 5m cable  
 This product has undergone a 1000 hour salt spray test in accordance with ASTM B117

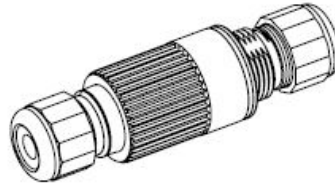
Project Ref: \_\_\_\_\_

Location Ref: \_\_\_\_\_

Accessories



VS-ANCHOR



TH381

Accessories Order Code:

Accessories  
VS-ANCHOR  
TH381

Ground Anchor  
IP68 Connector

Technical Details

Dimming. Whilst Lucent can offer the majority of its luminaires with various dimming options, it remains the responsibility of the specifier/installer to check and ensure compatibility of any control equipment used. Additional cabling may be required depending on the dimming protocol specified.

First Fix Requirement. Luminaire comprised of fixture body with ceiling trim and installation kit, which is to be fitted into the ceiling once finished. Ensure correct alignment of the installation kit before final assembly (see luminaire installation instructions for details)

IP Rating. Tested from underside of the ceiling

It is the policy of Lucent Lighting to continually review and improve its products and therefore reserve the right to change any details of product or withdraw specifications without prior notice.

Luminaires designed to comply with EN60598 and all other standards.

This specification sheet supersedes all previous versions.

All intellectual property rights pertaining to the product described above and to this document are owned by or licensed to Lucent Lighting Ltd.

We reserve the right to take whatever action is necessary to protect those intellectual property rights.

Please notify Lucent Lighting Ltd of any inaccuracies immediately. E&OE

**Light efficiency:**

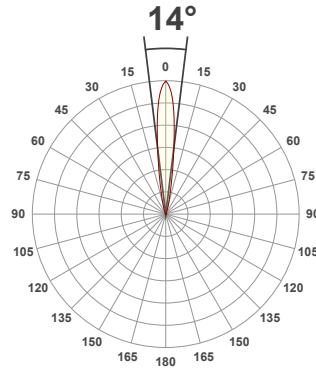
**69 Lumen/Watt**

**Light quality:**

**CRI: 93.0**

**Color temperature:**

**2700 K**



**Product name:**

**VistaMini Spot, 2700K, 14°**

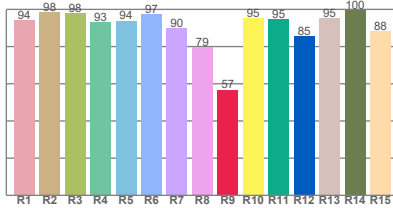
**Item number:**

**VS002-27-14**

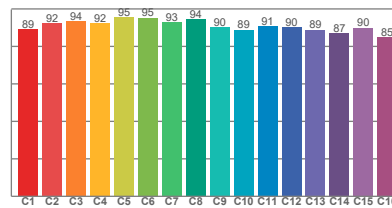
**Delivered information for above fixture and LED combination.**

**Output: 104 Lumen    Peak intensity: 1241 cd    Power consumption: 1.5**

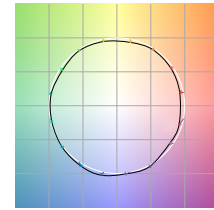
**CRI R values**



**TM30 C Values**

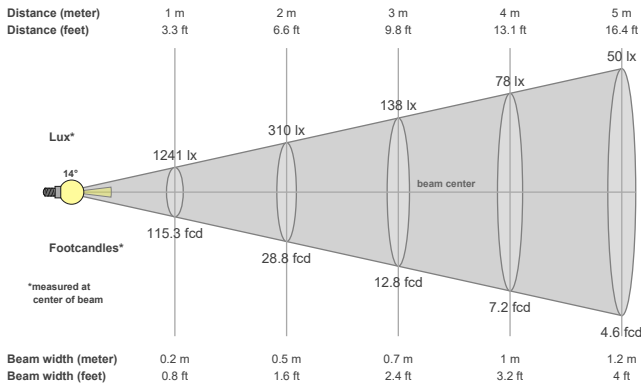


**Color vector graphics**



Color temperature	Color rendering index	Red component	Color fidelity	Color gamut	Color quality scale	Color coordinate cie 1931	Color coordinate cie 1931	Color coordinate	Color coordinate	Color deviation from black body
CCT	CRI	CRI R9	TM30 Rf	TM30 Rg	CQS	x	y	u	v	Δuv
2700 K	93.0	56.8	90.9	96.5	90.8	0.460	0.411	0.264	0.352	0.0004

**Beam details**



**Beam angels**

Beam angle 50%	Field angle 10%	Cutoff angle 2,5%
14°	28.6°	41.4°

**Beam intensities**

Peak intensity	Int. ratio in 120° cone	Int. ratio in 90° cone
1241 cd	99.5%	99.2%

**Beam intensities from 1-20m**

1m	2m	3m	4m	5m	6m	7m	8m	9m	10m	11m	12m	13m	14m	15m	16m	17m	18m	19m	20m
3.3ft	6.6ft	9.8ft	13.1ft	16.4ft	19.7ft	23ft	26.2ft	29.5ft	32.8ft	36.1ft	39.4ft	42.7ft	45.9ft	49.2ft	52.5ft	55.8ft	59.1ft	62.3ft	65.6ft
1241lx	310lx	138lx	78lx	50lx	34lx	25lx	19lx	15lx	12lx	10lx	9lx	7lx	6lx	6lx	5lx	4lx	4lx	3lx	3lx
115.3fcd	28.8fcd	12.8fcd	7.2fcd	4.6fcd	3.2fcd	2.4fcd	1.8fcd	1.4fcd	1.2fcd	1fcd	0.8fcd	0.7fcd	0.6fcd	0.5fcd	0.5fcd	0.4fcd	0.4fcd	0.3fcd	0.3fcd

The above information is for 2700K colour temperature.

**Light efficiency:**

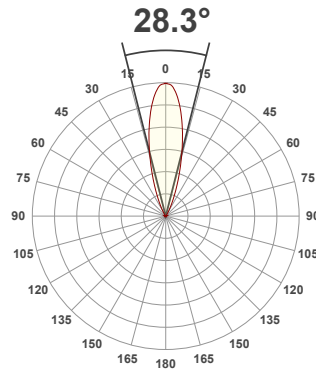
**62 Lumen/Watt**

**Light quality:**

**CRI: 93.0**

**Color temperature:**

**2700 K**



**Product name:**

**VistaMini Spot, 2700K, 28°**

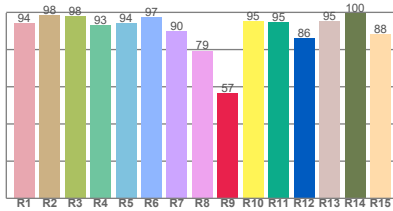
**Item number:**

**VS002-27-28**

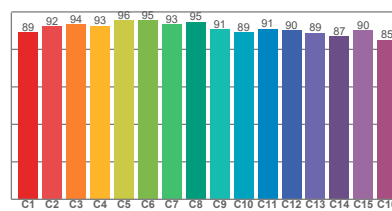
**Delivered information for above fixture and LED combination.**

**Output: 92.5 Lumen    Peak intensity: 333 cd    Power consumption: 1.5**

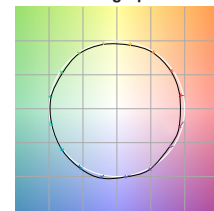
**CRI R values**



**TM30 C Values**

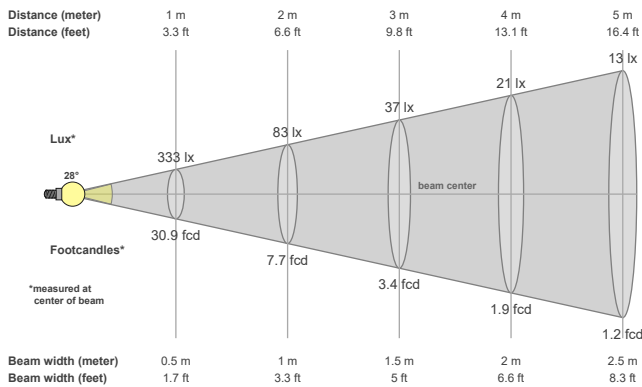


**Color vector graphics**



Color temperature	Color rendering index	Red component	Color fidelity	Color gamut	Color quality scale	Color coordinate cie 1931	Color coordinate cie 1931	Color coordinate	Color coordinate	Color deviation from black body
CCT	CRI	CRI R9	TM30 Rf	TM30 Rg	CQS	x	y	u	v	Δuv
2700 K	93.0	56.7	91.1	96.6	90.8	0.460	0.411	0.264	0.352	0.0004

**Beam details**



**Beam angles**

Beam angle 50%	Field angle 10%	Cutoff angle 2,5%
28.3°	51.7°	65.5°

**Beam intensities**

Peak intensity	Int. ratio in 120° cone	Int. ratio in 90° cone
333 cd	98.9%	98.3%

**Beam intensities from 1-20m**

1m	2m	3m	4m	5m	6m	7m	8m	9m	10m	11m	12m	13m	14m	15m	16m	17m	18m	19m	20m
3.3ft	6.6ft	9.8ft	13.1ft	16.4ft	19.7ft	23ft	26.2ft	29.5ft	32.8ft	36.1ft	39.4ft	42.7ft	45.9ft	49.2ft	52.5ft	55.8ft	59.1ft	62.3ft	65.6ft
333lx	83lx	37lx	21lx	13lx	9lx	7lx	5lx	4lx	3lx	3lx	2lx	2lx	2lx	1lx	1lx	1lx	1lx	1lx	1lx
30.9fcd	7.7fcd	3.4fcd	1.9fcd	1.2fcd	0.9fcd	0.6fcd	0.5fcd	0.4fcd	0.3fcd	0.3fcd	0.2fcd	0.2fcd	0.2fcd	0.1fcd	0.1fcd	0.1fcd	0.1fcd	0.1fcd	0.1fcd

The above information is for 2700K colour temperature.