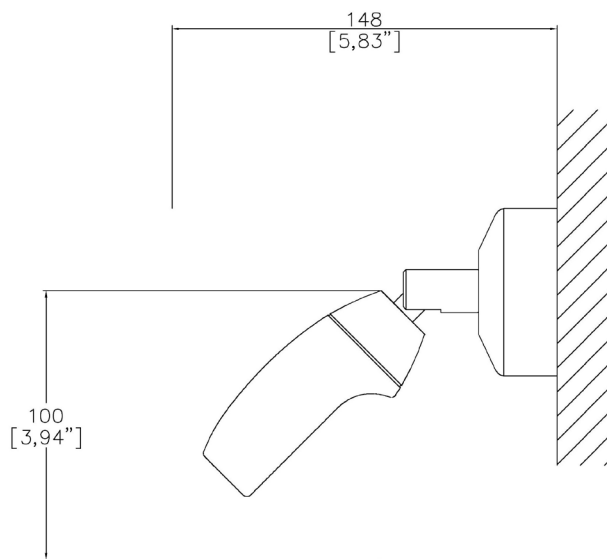


VistaFlood Wall Mount or Tree Mount



50mm (1.97") overall diameter. IP65 constant voltage exterior grade surface mounted fully adjustable ultra wide flood light. 90° Pivot and 359° rotation.



VF001-W/T

LED Source	LED
CCT	2700K
Supply Voltage	24v
Power inc driver	6.5W
Beam Angle	117°
Delivered Lumens	468
Delivered Intensity cd	181
Efficacy lm/w	72
CRI	≥90 CRI
Ingress Protection	IP65

Project Ref: _____

Location Ref: _____

Fixture Order Code: VF001 - 27 - BK - -

Fixture
VF001

VistaFlood

CCT
27

2700K

Finish
BK

Black

Mount
W
T

Wall Mount
Tree Mount

Protocol
S
A
P
D

Non-Dim
Analogue (0-10v)
Phase
DALI

Please refer to installation instruction for wiring diagram

All Lucent Vista products are supplied with a 5m cable

.....

Please refer to installation instruction for wiring diagram

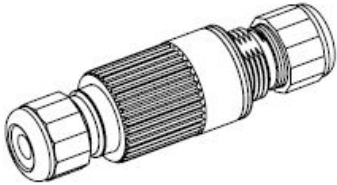
All Lucent Vista products are supplied with a 5m cable

This product has undergone a 1000 hour salt spray test in accordance with ASTM B117

Project Ref: _____

Location Ref: _____

Accessories



TH381

Accessories Order Code:

Accessories
TH381

IP68 Connector

Technical Details

Dimming. Whilst Lucent can offer the majority of its luminaires with various dimming options, it remains the responsibility of the specifier/installer to check and ensure compatibility of any control equipment used. Additional cabling may be required depending on the dimming protocol specified.

First Fix Requirement. Luminaire comprised of fixture body with ceiling trim and installation kit, which is to be fitted into the ceiling once finished. Ensure correct alignment of the installation kit before final assembly (see luminaire installation instructions for details)

IP Rating. Tested from underside of the ceiling

It is the policy of Lucent Lighting to continually review and improve its products and therefore reserve the right to change any details of product or withdraw specifications without prior notice.

Luminaires designed to comply with EN60598 and all other standards.

This specification sheet supersedes all previous versions.

All intellectual property rights pertaining to the product described above and to this document are owned by or licensed to Lucent Lighting Ltd.

We reserve the right to take whatever action is necessary to protect those intellectual property rights.

Please notify Lucent Lighting Ltd of any inaccuracies immediately. E&OE

Light efficiency:

72 Lumen/Watt

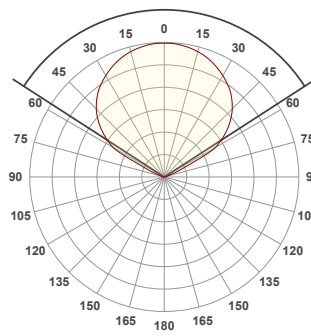
Light quality:

CRI: 91.4

Color temperature:

2700 K

114.3°



Product name:

VistaFlood 2700K

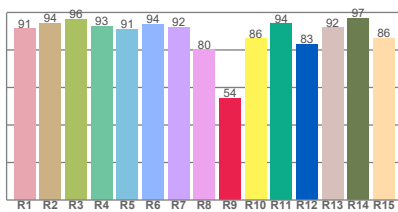
Item number:

VF001-27

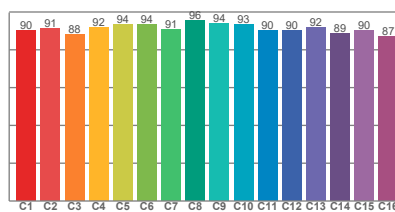
Delivered information for above fixture and LED combination.

Output: 468 Lumen Peak intensity: 181 cd Power consumption: 6.5

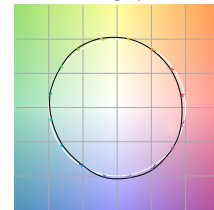
CRI R values



TM30 C Values

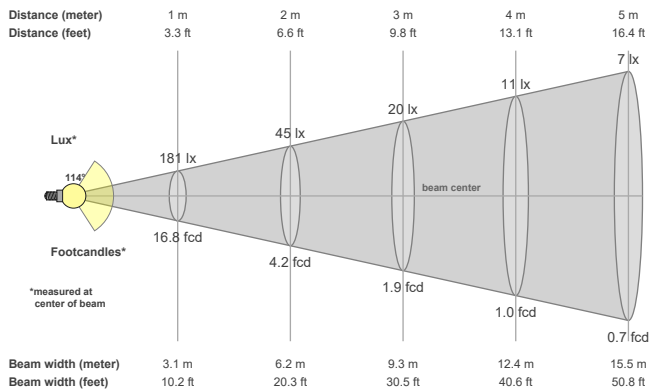


Color vector graphics



Color temperature	Color rendering index	Red component	Color fidelity	Color gamut	Color quality scale	Color coordinate cie 1931	Color coordinate cie 1931	Color coordinate	Color coordinate	Color deviation from black body
CCT	CRI	CRI R9	TM30 Rf	TM30 Rg	CQS	x	y	u	v	Δuv
2700 K	91.4	54.0	91.3	100.1	89.6	0.460	0.411	0.261	0.352	0.0013

Beam details



Beam angels

Beam angle 50%	Field angle 10%	Cutoff angle 2,5%
114.3°	135.3°	150.5°

Beam intensities

Peak intensity	Int. ratio in 120° cone	Int. ratio in 90° cone
181 cd	90.6%	61.3%

Beam intensities from 1-20m

1m	2m	3m	4m	5m	6m	7m	8m	9m	10m	11m	12m	13m	14m	15m	16m	17m	18m	19m	20m
3.3ft	6.6ft	9.8ft	13.1ft	16.4ft	19.7ft	23ft	26.2ft	29.5ft	32.8ft	36.1ft	39.4ft	42.7ft	45.9ft	49.2ft	52.5ft	55.8ft	59.1ft	62.3ft	65.6ft
181lx	45lx	20lx	11lx	7lx	5lx	4lx	3lx	2lx	2lx	1lx	1lx	1lx	1lx	1lx	1lx	1lx	1lx	1lx	0lx
16.8fcd	4.2fcd	1.9fcd	1fcd	0.7fcd	0.5fcd	0.3fcd	0.3fcd	0.2fcd	0.2fcd	0.1fcd	0.1fcd	0.1fcd	0.1fcd	0.1fcd	0.1fcd	0.1fcd	0.1fcd	0fcd	0fcd

The above information is for 2700K colour temperature.