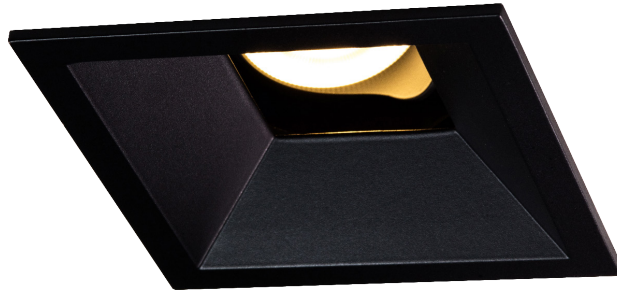
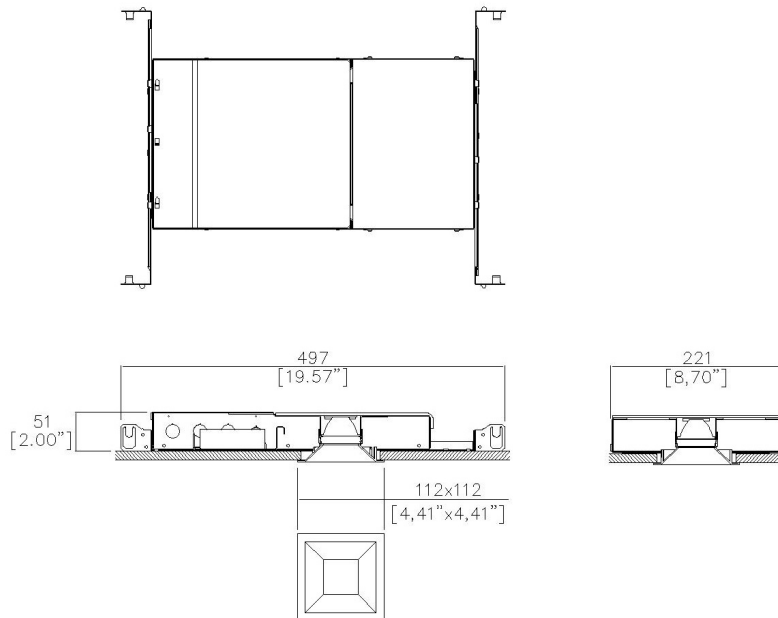


# Plus Pyramidal LP Low Profile Fixed Downlight



Shallow 2" housing provides high performance electronics and architectural aesthetics in round and square 3.5" trim. Using our standard Plus front plates with a shallow height 2" housing with built in LED. Include fixed in a flanged or trimless installation kit. Available in various front plates (Conical, Bevel, Edge, Pyramidal and Square Bevel). Lucent modules available in a wide range of color temperatures, beam angles, intensities, and effects (Ambiance WarmDim and Dynamic Tuneable White). MR16 and GU10 LED lamp options available. TRIAC/Phase, 0-10v/1-10v, DMX and DALI/Digital dimming.



ALP090+LED-TR-SQ - LH-LP-2.00  
Cut-out 4.02" x 4.02"  
(102 x 102mm)



### Installation kit for overlap flange

LED Source	LED	LED	LED	LED
CCT	3000K	3000K	3000K	3000K
Drive Current	400mA	400mA	400mA	400mA
Power inc Driver	16.3W	16.3W	16.3W	16.3W
Beam Angle	17°	24°	35°	55°
Delivered Lumens	1260	1203	1260	1259
Delivered Intensisty cd	10068	6356	3812	1649
Efficacy lm/w	77	74	77	77
Forward Volt	34.6V	34.6V	34.6V	34.6V
CRI	≥90 CRI	≥90 CRI	≥90 CRI	≥90 CRI

Project Ref: \_\_\_\_\_

Location Ref: \_\_\_\_\_

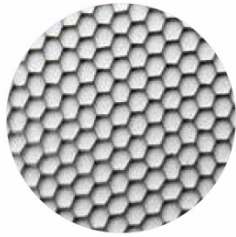
Specify fixture part number (All boxes must be filled in to correctly order)

ALP090+LED-TR-SQ					LH-LP-2.00	NIC	STR				
------------------	--	--	--	--	------------	-----	-----	--	--	--	--

Finish	_____
<b>WH</b>	White
<b>BK</b>	Black
<b>RAL</b>	Custom*
CCT	_____
<b>27</b>	2700K
<b>30</b>	3000K
<b>40</b>	4000K
Beam Angles	_____
<b>17</b>	17
<b>24</b>	24
<b>35</b>	35
<b>55</b>	55
Ceiling Thickness	_____
<b>SC</b>	Standard Ceiling (1/2"-5/8"-3/4")
<b>C</b>	Custom
Housing Size	_____
<b>LH-LP-2.00</b>	Lucent Housing Low Profile 2.00"
Housing Type	_____
<b>NIC</b>	Non-Insulated Ceiling
Fixture Type	_____
<b>STR</b>	Square Flange
Mounting Hardware	_____
<b>09</b>	9" to 15.25"
<b>14</b>	14" to 24"
<b>36</b>	28" to 36"
Supply Voltage	_____
<b>120</b>	120V
<b>277</b>	277V
Protocol	_____
<b>S</b>	Non-Dimmable (120 - 277V)
<b>P</b>	TRIAC/Phase (120V ONLY)
<b>A</b>	Analog (0-10V) (120 -277V)
Louvre/Lens	_____
<b>XX</b>	Not required
<b>LL45</b>	Honeycomb
<b>LLCC</b>	Warm Tone
<b>LLUV</b>	UV
<b>LLDF</b>	Solite/Diffusing
<b>LLFR</b>	Frosted Lens
<b>LLLS</b>	Linear Spread
<b>LLHS</b>	Heavy Spread

\*Refer to Technical Details for more information

**NIC Housing Type - No contact with insulation and at least 3 inches spacing from insulation in all directions**



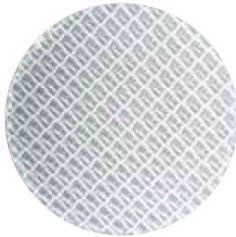
**Honeycomb Louvre**



**Diffusing Lens**



**Frosted Lens**



**Heavy Spread Lens**



**Linear Spread Lens**



**Warm Tone**

.....

## Technical Details

\*Custom RAL code must be specified. Custom RAL colours can increase prices and lead times

Dimming. Whilst Lucent can offer the majority of its luminaires with various dimming options, it remains the responsibility of the specifier/installer to check and ensure compatibility of any control equipment used. Additional cabling may be required depending on the dimming protocol specified.

\*\*Bluetooth (wireless) is the communication method. The exact dimming protocol must be confirmed to allow the selection of suitable drivers or bluetooth devices.

^ Depth indicated may vary depending on lamp type used

First Fix Requirement. Luminaire comprised of fixture body with ceiling trim and installation kit, which is to be fitted into the ceiling once finished. Ensure correct alignment of the installation kit before final assembly (see luminaire installation instructions for details)

IP Rating. Tested from underside of the ceiling

It is the policy of Lucent Lighting to continually review and improve its products and therefore reserve the right to change any details of product or withdraw specifications without prior notice.

Luminaires designed to comply with EN60598 and all other standards.

This specification sheet supersedes all previous versions.

All intellectual property rights pertaining to the product described above and to this document are owned by or licensed to Lucent Lighting Ltd.

We reserve the right to take whatever action is necessary to protect those intellectual property rights.

Please notify Lucent Lighting Ltd of any inaccuracies immediately. E&OE

.....



**Light efficiency:**

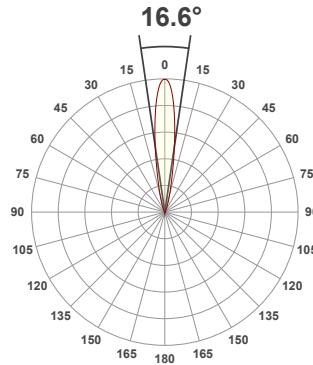
**77 Lumen/Watt**

**Light quality:**

**CRI: 91.6**

**Color temperature:**

**3000 K**



**Product name:**

**Plus3.5 Pyramidal Fixed, 3000K  
17° 400mA + Lucent Housing 2"**

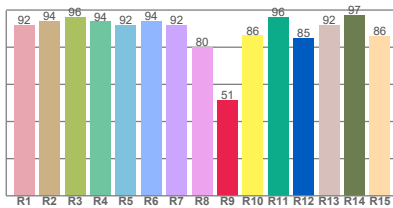
**Item number:**

**ALP090+LED-SQ-930-17-400mA  
+ LH-LP-2.00**

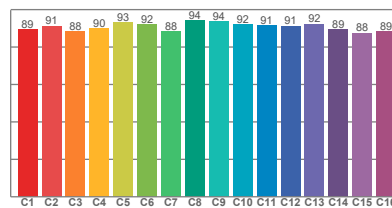
**Delivered information for above  
fixture and LED combination.**

**Output: 1260 Lumen Peak intensity: 10068 cd Power consumption: 16.3**

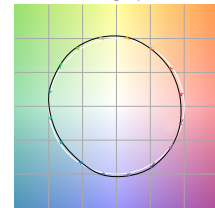
**CRI R values**



**TM30 C Values**

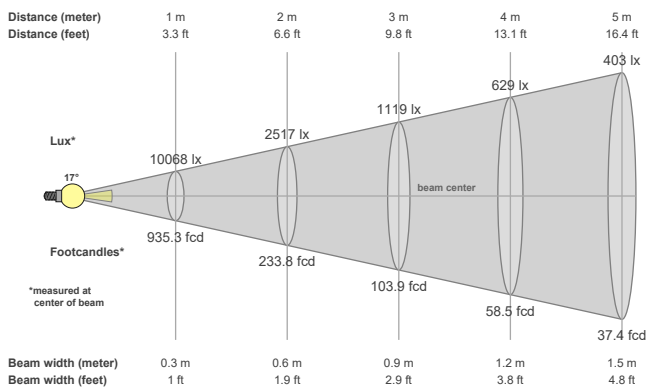


**Color vector graphics**



Color temperature	Color rendering index	Red component	Color fidelity	Color gamut	Color quality scale	Color coordinate cie 1931	Color coordinate cie 1931	Color coordinate	Color coordinate	Color deviation from black body
CCT	CRI	CRI R9	TM30 Rf	TM30 Rg	CQS	x	y	u	v	Δuv
3000 K	91.6	51.4	91.0	100.9	90.2	0.437	0.404	0.251	0.348	0.0020

**Beam details**



**Beam angels**

Beam angle 50%	Field angle 10%	Cutoff angle 2,5%
16.6°	34.4°	51.6°

**Beam intensities**

Peak intensity	Int. ratio in 120° cone	Int. ratio in 90° cone
10068 cd	99.4%	98.1%

**Beam intensities from 1-20m**

1m	2m	3m	4m	5m	6m	7m	8m	9m	10m	11m	12m	13m	14m	15m	16m	17m	18m	19m	20m
3.3ft	6.6ft	9.8ft	13.1ft	16.4ft	19.7ft	23ft	26.2ft	29.5ft	32.8ft	36.1ft	39.4ft	42.7ft	45.9ft	49.2ft	52.5ft	55.8ft	59.1ft	62.3ft	65.6ft
10068lx	2517lx	1119lx	629lx	403lx	280lx	205lx	157lx	124lx	101lx	83lx	70lx	60lx	51lx	45lx	39lx	35lx	31lx	28lx	25lx
935.3fcd	233.8fcd	103.9fcd	58.5fcd	37.4fcd	26fcd	19.1fcd	14.6fcd	11.5fcd	9.4fcd	7.7fcd	6.5fcd	5.5fcd	4.8fcd	4.2fcd	3.7fcd	3.2fcd	2.9fcd	2.6fcd	2.3fcd

The above information is for 3000K colour temperature, for specific module information please see LED spec located on our website

For information regarding other colour temperatures please use the following factors for lumen output and candelas:

2700K = 0.94  
4000K = 1.07

Light efficiency:

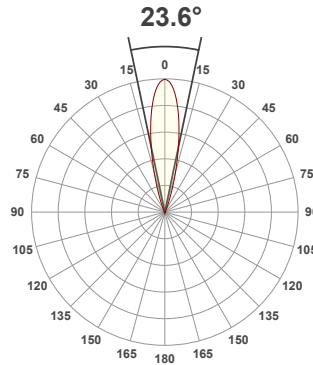
**74 Lumen/Watt**

Light quality:

**CRI: 91.5**

Color temperature:

**3000 K**



Product name:

**Plus3.5 Pyramidal Fixed, 3000K  
24° 400mA + Lucent Housing 2"**

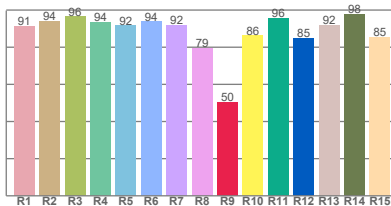
Item number:

**ALP090+LED-SQ-930-24-400mA  
+ LH-LP-2.00**

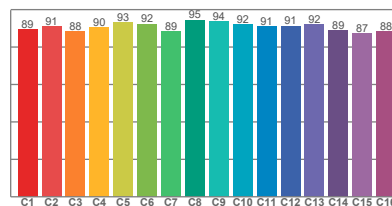
**Delivered information for above  
fixture and LED combination.**

**Output: 1203 Lumen Peak intensity: 6356 cd Power consumption: 16.3**

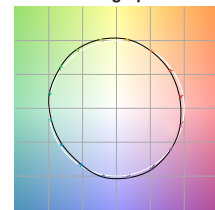
CRI R values



TM30 C Values

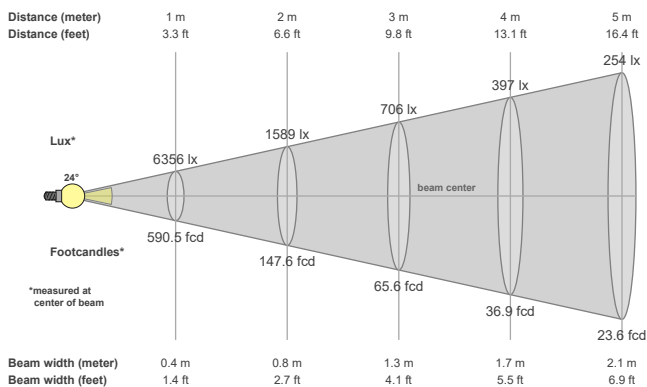


Color vector graphics



Color temperature	Color rendering index	Red component	Color fidelity	Color gamut	Color quality scale	Color coordinate cie 1931	Color coordinate cie 1931	Color coordinate	Color coordinate	Color deviation from black body
CCT	CRI	CRI R9	TM30 Rf	TM30 Rg	CQS	x	y	u	v	Δuv
3000 K	91.5	50.2	91.0	100.8	90.1	0.437	0.404	0.251	0.348	0.0019

## Beam details



## Beam angels

Beam angle 50%	Field angle 10%	Cutoff angle 2,5%
23.6°	40.6°	53.5°

## Beam intensities

Peak intensity	Int. ratio in 120° cone	Int. ratio in 90° cone
6356 cd	99.6%	98.3%

## Beam intensities from 1-20m

1m	2m	3m	4m	5m	6m	7m	8m	9m	10m	11m	12m	13m	14m	15m	16m	17m	18m	19m	20m
3.3ft	6.6ft	9.8ft	13.1ft	16.4ft	19.7ft	23ft	26.2ft	29.5ft	32.8ft	36.1ft	39.4ft	42.7ft	45.9ft	49.2ft	52.5ft	55.8ft	59.1ft	62.3ft	65.6ft
6356lx	1589lx	706lx	397lx	254lx	177lx	130lx	99lx	78lx	64lx	53lx	44lx	38lx	32lx	28lx	25lx	22lx	20lx	18lx	16lx
590.5fcd	147.6fcd	65.6fcd	36.9fcd	23.6fcd	16.4fcd	12.1fcd	9.2fcd	7.3fcd	5.9fcd	4.9fcd	4.1fcd	3.5fcd	3fcd	2.6fcd	2.3fcd	2fcd	1.8fcd	1.6fcd	1.5fcd

The above information is for 3000K colour temperature, for specific module information please see LED spec located on our website

For information regarding other colour temperatures please use the following factors for lumen output and candelas:

2700K = 0.94

4000K = 1.07

**Light efficiency:**

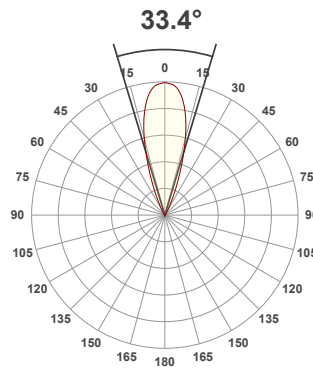
**77 Lumen/Watt**

**Light quality:**

**CRI: 91.3**

**Color temperature:**

**3000 K**



**Product name:**

**Plus3.5 Pyramidal Fixed, 3000K  
35° 400mA + Lucent Housing 2"**

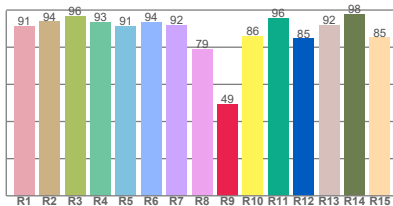
**Item number:**

**ALP090+LED-SQ-930-35-400mA  
+ LH-LP-2.00**

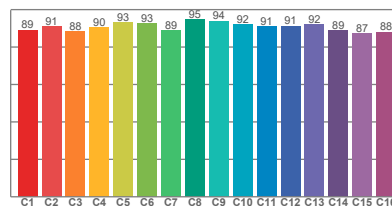
**Delivered information for above  
fixture and LED combination.**

**Output: 1260 Lumen Peak intensity: 3812 cd Power consumption: 16.3**

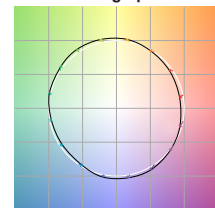
**CRI R values**



**TM30 C Values**

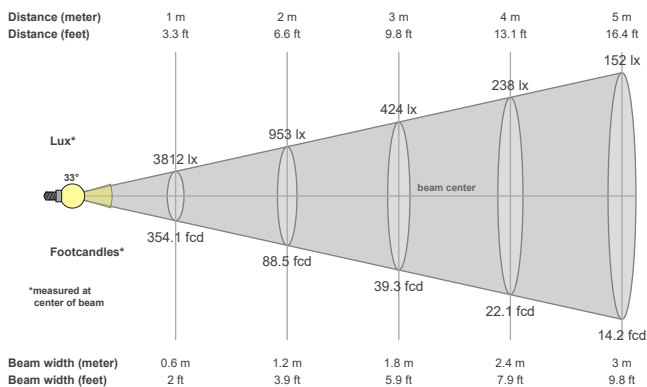


**Color vector graphics**



Color temperature	Color rendering index	Red component	Color fidelity	Color gamut	Color quality scale	Color coordinate cie 1931	Color coordinate cie 1931	Color coordinate	Color coordinate	Color deviation from black body
CCT	CRI	CRI R9	TM30 Rf	TM30 Rg	CQS	x	y	u	v	Δuv
3000 K	91.3	49.3	91.0	100.6	90.0	0.437	0.404	0.251	0.348	0.0020

**Beam details**



**Beam angles**

Beam angle 50%	Field angle 10%	Cutoff angle 2,5%
33.4°	52.2°	65.1°

**Beam intensities**

Peak intensity	Int. ratio in 120° cone	Int. ratio in 90° cone
3812 cd	99.8%	98.5%

**Beam intensities from 1-20m**

1m	2m	3m	4m	5m	6m	7m	8m	9m	10m	11m	12m	13m	14m	15m	16m	17m	18m	19m	20m
3.3ft	6.6ft	9.8ft	13.1ft	16.4ft	19.7ft	23ft	26.2ft	29.5ft	32.8ft	36.1ft	39.4ft	42.7ft	45.9ft	49.2ft	52.5ft	55.8ft	59.1ft	62.3ft	65.6ft
3812lx	953lx	424lx	238lx	152lx	106lx	78lx	60lx	47lx	38lx	32lx	26lx	23lx	19lx	17lx	15lx	13lx	12lx	11lx	10lx
354.1fcd	88.5fcd	39.3fcd	22.1fcd	14.2fcd	9.8fcd	7.2fcd	5.5fcd	4.4fcd	3.5fcd	2.9fcd	2.5fcd	2.1fcd	1.8fcd	1.6fcd	1.4fcd	1.2fcd	1.1fcd	1fcd	0.9fcd

The above information is for 3000K colour temperature, for specific module information please see LED spec located on our website

For information regarding other colour temperatures please use the following factors for lumen output and candelas:

2700K = 0.94  
4000K = 1.07

**Light efficiency:**

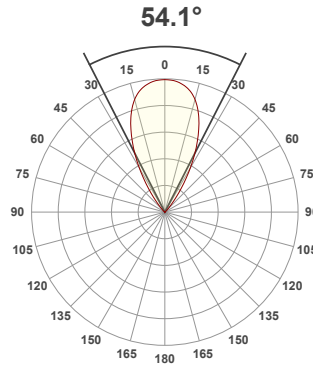
**77 Lumen/Watt**

**Light quality:**

**CRI: 91.5**

**Color temperature:**

**3000 K**



**Product name:**

**Plus3.5 Pyramidal Fixed, 3000K  
55° 400mA + Lucent Housing 2"**

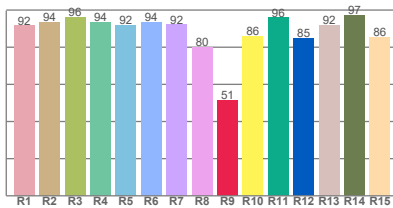
**Item number:**

**ALP090+LED-SQ-930-55-400mA  
+ LH-LP-2.00**

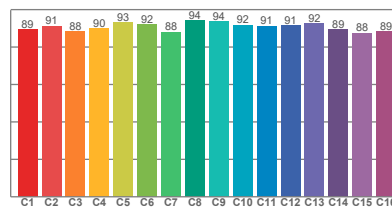
**Delivered information for above  
fixture and LED combination.**

**Output: 1259 Lumen Peak intensity: 1649 cd Power consumption: 16.3**

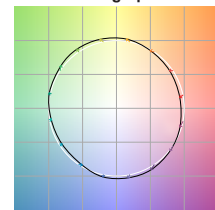
**CRI R values**



**TM30 C Values**

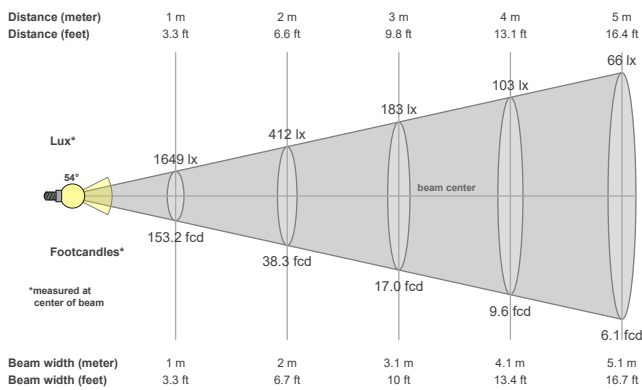


**Color vector graphics**



Color temperature	Color rendering index	Red component	Color fidelity	Color gamut	Color quality scale	Color coordinate cie 1931	Color coordinate cie 1931	Color coordinate	Color coordinate	Color deviation from black body
CCT	CRI	CRI R9	TM30 Rf	TM30 Rg	CQS	x	y	u	v	Δuv
3000 K	91.5	51.5	90.9	100.9	90.2	0.437	0.404	0.251	0.348	0.0022

**Beam details**



**Beam angels**

Beam angle 50%	Field angle 10%	Cutoff angle 2,5%
54.1°	78.1°	92.3°

**Beam intensities**

Peak intensity	Int. ratio in 120° cone	Int. ratio in 90° cone
1649 cd	99.7%	97.9%

**Beam intensities from 1-20m**

1m	2m	3m	4m	5m	6m	7m	8m	9m	10m	11m	12m	13m	14m	15m	16m	17m	18m	19m	20m
3.3ft	6.6ft	9.8ft	13.1ft	16.4ft	19.7ft	23ft	26.2ft	29.5ft	32.8ft	36.1ft	39.4ft	42.7ft	45.9ft	49.2ft	52.5ft	55.8ft	59.1ft	62.3ft	65.6ft
1649lx	412lx	183lx	103lx	66lx	46lx	34lx	26lx	20lx	16lx	14lx	11lx	10lx	8lx	7lx	6lx	6lx	5lx	5lx	4lx
153.2fcd	38.3fcd	17fcd	9.6fcd	6.1fcd	4.3fcd	3.1fcd	2.4fcd	1.9fcd	1.5fcd	1.3fcd	1.1fcd	0.9fcd	0.8fcd	0.7fcd	0.6fcd	0.5fcd	0.5fcd	0.4fcd	0.4fcd

The above information is for 3000K colour temperature, for specific module information please see LED spec located on our website

For information regarding other colour temperatures please use the following factors for lumen output and candelas:

2700K = 0.94  
4000K = 1.07