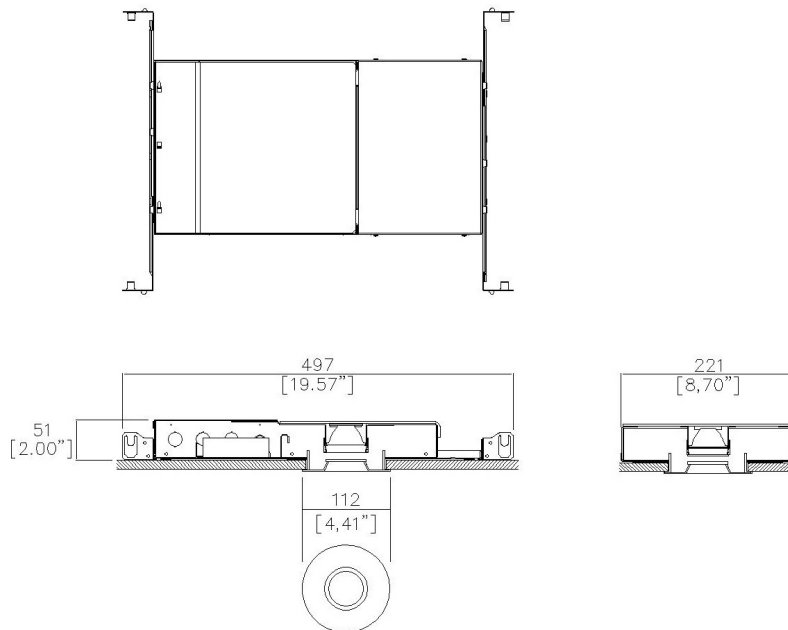


Plus Bevel LP Low Profile Fixed Downlight



Shallow 2" housing provides high performance electronics and architectural aesthetics in round and square 3.5" trim. Using our standard Plus front plates with a shallow height 2" housing with built in LED. Include fixed in a flanged or trimless installation kit. Available in various front plates (Conical, Bevel, Edge, Pyramidal and Square Bevel). Lucent modules available in a wide range of color temperatures, beam angles, intensities, and effects (Ambiance WarmDim and Dynamic Tuneable White). MR16 and GU10 LED lamp options available. TRIAC/Phase, 0-10v/1-10v, DMX and DALI/Digital dimming.



ALP090+13-LED-TR - LH-LP-2.00
Cut-out 4.02" (102mm)



Installation kit for overlap flange

LED Source	LED	LED	LED	LED
CCT	3000K	3000K	3000K	3000K
Drive Current	400mA	400mA	400mA	400mA
Power inc Driver	16.3W	16.3W	16.3W	16.3W
Beam Angle	17°	24°	35°	55°
Delivered Lumens	1235	1200	1223	1194
Delivered Intensisty cd	9830	6290	3810	1697
Efficacy lm/w	76	74	75	73
Forward Volt	34.6V	34.6V	34.6V	34.6V
CRI	≥90 CRI	≥90 CRI	≥90 CRI	≥90 CRI

Project Ref: _____

Location Ref: _____

Specify fixture part number (All boxes must be filled in to correctly order)

ALP090+13-LED-TR					LH-LP-2.00	NIC	RTR				
------------------	--	--	--	--	------------	-----	-----	--	--	--	--

Finish _____

- WH** White
- BK** Black
- RAL** Custom*

CCT _____

- 27** 2700K
- 30** 3000K
- 40** 4000K

Beam Angles _____

- 17** 17
- 24** 24
- 35** 35
- 55** 55

Ceiling Thickness _____

- SC** Standard Ceiling (1/2"-5/8"-3/4")
- C** Custom

Housing Size _____

- LH-LP-2.00** Lucent Housing Low Profile 2.00"

Housing Type _____

- NIC** Non-Insulated Ceiling

Fixture Type _____

- RTR** Round Flange

Mounting Hardware _____

- 09** 9" to 15.25"
- 14** 14" to 24"
- 36** 28" to 36"

Supply Voltage _____

- 120** 120V
- 277** 277V

Protocol _____

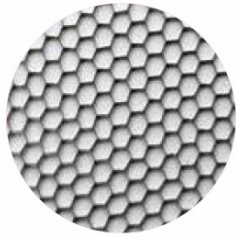
- S** Non-Dimmable (120 - 277V)
- P** TRIAC/Phase (120V ONLY)
- A** Analog (0-10V) (120 -277V)

Louvre/Lens _____

- XX** Not required
- LL45** Honeycomb
- LLCC** Warm Tone
- LLUV** UV
- LLDF** Solite/Diffusing
- LLFR** Frosted Lens
- LLLS** Linear Spread
- LLHS** Heavy Spread

*Refer to Technical Details for more information

NIC Housing Type - No contact with insulation and at least 3 inches spacing from insulation in all directions



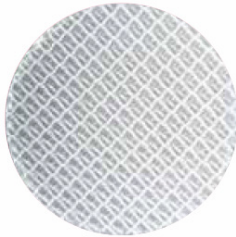
Honeycomb Louvre



Diffusing Lens



Frosted Lens



Heavy Spread Lens



Linear Spread Lens



Warm Tone

.....

Technical Details

*Custom RAL code must be specified. Custom RAL colours can increase prices and lead times

Dimming. Whilst Lucent can offer the majority of its luminaires with various dimming options, it remains the responsibility of the specifier/installer to check and ensure compatibility of any control equipment used. Additional cabling may be required depending on the dimming protocol specified.

**Bluetooth (wireless) is the communication method. The exact dimming protocol must be confirmed to allow the selection of suitable drivers or bluetooth devices.

^ Depth indicated may vary depending on lamp type used

First Fix Requirement. Luminaire comprised of fixture body with ceiling trim and installation kit, which is to be fitted into the ceiling once finished. Ensure correct alignment of the installation kit before final assembly (see luminaire installation instructions for details)

IP Rating. Tested from underside of the ceiling

It is the policy of Lucent Lighting to continually review and improve its products and therefore reserve the right to change any details of product or withdraw specifications without prior notice.

Luminaires designed to comply with EN60598 and all other standards.

This specification sheet supersedes all previous versions.

All intellectual property rights pertaining to the product described above and to this document are owned by or licensed to Lucent Lighting Ltd.

We reserve the right to take whatever action is necessary to protect those intellectual property rights.

Please notify Lucent Lighting Ltd of any inaccuracies immediately. E&OE

.....



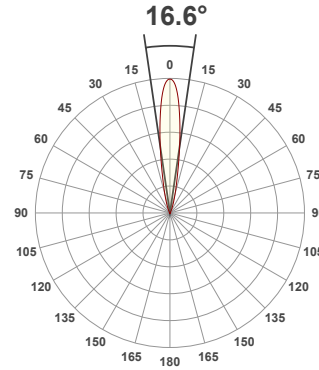
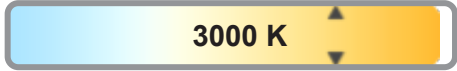
Light efficiency:



Light quality:



Color temperature:



Product name:

Plus3.5 Bevel Fixed, 3000K 17° 400mA + Lucent Housing 2"

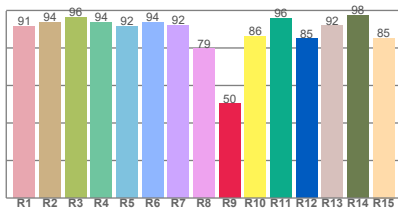
Item number:

ALP090+13-LED-930-17-400mA + LH-LP-2.00

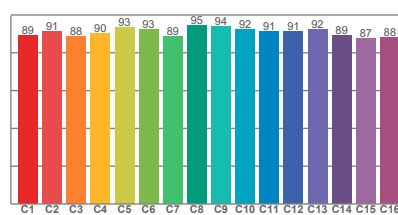
Delivered information for above fixture and LED combination.

Output: 1235 Lumen Peak intensity: 9830 cd Power consumption: 16.3

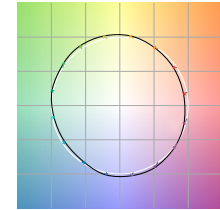
CRI R values



TM30 C Values

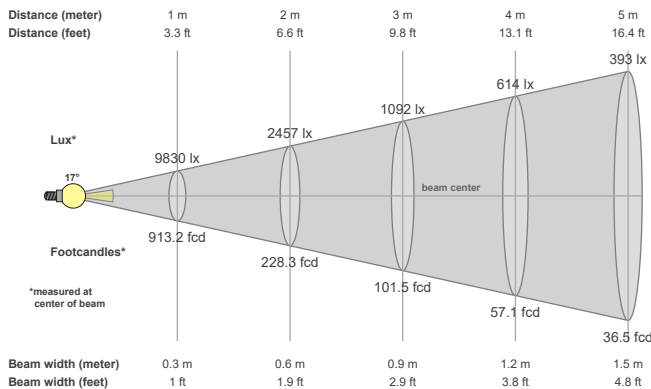


Color vector graphics



Color temperature	Color rendering index	Red component	Color fidelity	Color gamut	Color quality scale	Color coordinate cie 1931	Color coordinate cie 1931	Color coordinate	Color coordinate	Color deviation from black body
CCT	CRI	CRI R9	TM30 Rf	TM30 Rg	CQS	x	y	u	v	Δuv
3000 K	91.5	50.2	91.0	100.7	90.1	0.437	0.404	0.251	0.348	0.0021

Beam details



Beam angels

Beam angle 50%	Field angle 10%	Cutoff angle 2,5%
16.6°	34.9°	52.4°

Beam intensities

Peak intensity	Int. ratio in 120° cone	Int. ratio in 90° cone
9830 cd	99.6%	98.8%

Beam intensities from 1-20m

1m	2m	3m	4m	5m	6m	7m	8m	9m	10m	11m	12m	13m	14m	15m	16m	17m	18m	19m	20m
3.3ft	6.6ft	9.8ft	13.1ft	16.4ft	19.7ft	23ft	26.2ft	29.5ft	32.8ft	36.1ft	39.4ft	42.7ft	45.9ft	49.2ft	52.5ft	55.8ft	59.1ft	62.3ft	65.6ft
9830lx	2457lx	1092lx	614lx	393lx	273lx	201lx	154lx	121lx	98lx	81lx	68lx	58lx	50lx	44lx	38lx	34lx	30lx	27lx	25lx
913.2fcd	228.3fcd	101.5fcd	57.1fcd	36.5fcd	25.4fcd	18.6fcd	14.3fcd	11.3fcd	9.1fcd	7.5fcd	6.3fcd	5.4fcd	4.7fcd	4.1fcd	3.6fcd	3.2fcd	2.8fcd	2.5fcd	2.3fcd

The above information is for 3000K colour temperature, for specific module information please see LED spec located on our website

For information regarding other colour temperatures please use the following factors for lumen output and candelas:

2700K = 0.94
4000K = 1.07

Light efficiency:

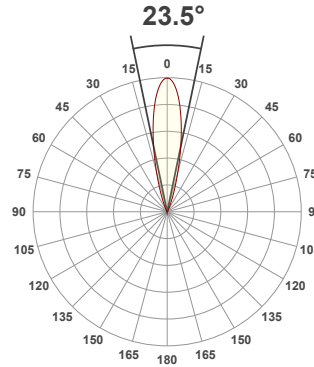
74 Lumen/Watt

Light quality:

CRI: 91.5

Color temperature:

3000 K



Product name:

**Plus3.5 Bevel Fixed, 3000K 24°
400mA + Lucent Housing 2"**

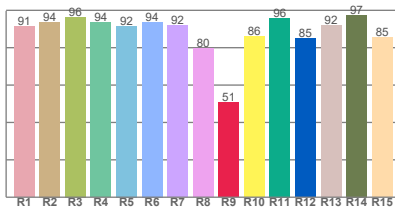
Item number:

**ALP090+13-LED-930-24-400mA
+ LH-LP-2.00**

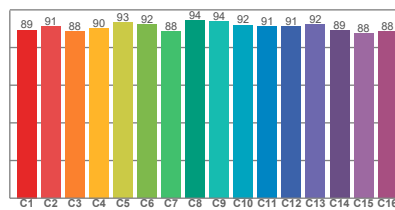
**Delivered information for
above fixture and LED
combination.**

Output: 1200 Lumen Peak intensity: 6290 cd Power consumption: 16.3

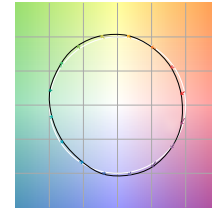
CRI R values



TM30 C Values

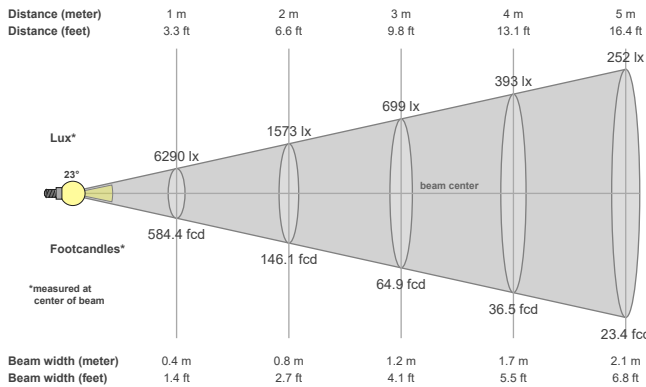


Color vector graphics



Color temperature	Color rendering index	Red component	Color fidelity	Color gamut	Color quality scale	Color coordinate cie 1931	Color coordinate cie 1931	Color coordinate	Color coordinate	Color deviation from black body
CCT	CRI	CRI R9	TM30 Rf	TM30 Rg	CQS	x	y	u	v	Δuv
3000 K	91.5	50.6	91.0	100.8	90.1	0.437	0.404	0.251	0.348	0.0020

Beam details



Beam angels

Beam angle 50%	Field angle 10%	Cutoff angle 2,5%
23.5°	41.6°	55°

Beam intensities

Peak intensity	Int. ratio in 120° cone	Int. ratio in 90° cone
6290 cd	99.6%	98.8%

Beam intensities from 1-20m

1m	2m	3m	4m	5m	6m	7m	8m	9m	10m	11m	12m	13m	14m	15m	16m	17m	18m	19m	20m
3.3ft	6.6ft	9.8ft	13.1ft	16.4ft	19.7ft	23ft	26.2ft	29.5ft	32.8ft	36.1ft	39.4ft	42.7ft	45.9ft	49.2ft	52.5ft	55.8ft	59.1ft	62.3ft	65.6ft
6290lx	1573lx	699lx	393lx	252lx	175lx	128lx	98lx	78lx	63lx	52lx	44lx	37lx	32lx	28lx	25lx	22lx	19lx	17lx	16lx
584.4fcd	146.1fcd	64.9fcd	36.5fcd	23.4fcd	16.2fcd	11.9fcd	9.1fcd	7.2fcd	5.8fcd	4.8fcd	4.1fcd	3.5fcd	3fcd	2.6fcd	2.3fcd	2fcd	1.8fcd	1.6fcd	1.5fcd

The above information is for 3000K colour temperature, for specific module information please see LED spec located on our website

For information regarding other colour temperatures please use the following factors for lumen output and candelas:

2700K = 0.94

4000K = 1.07

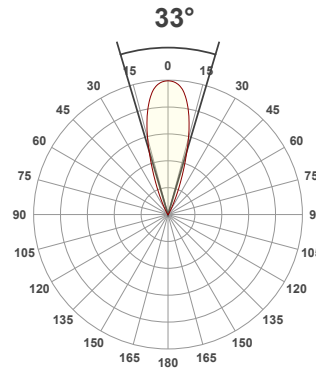
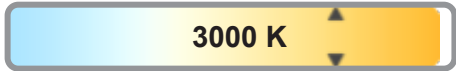
Light efficiency:



Light quality:



Color temperature:



Product name:

**Plus3.5 Bevel Fixed, 3000K 35°
400mA + Lucent Housing 2"**

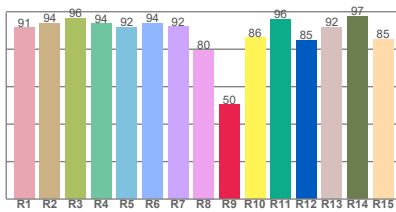
Item number:

**ALP090+13-LED-930-35-400mA
+ LH-LP-2.00**

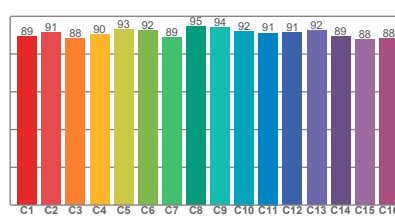
**Delivered information for
above fixture and LED
combination.**

Output: 1223 Lumen Peak intensity: 3810 cd Power consumption: 16.3

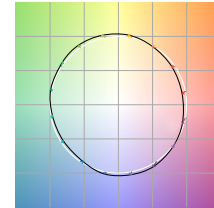
CRI R values



TM30 C Values

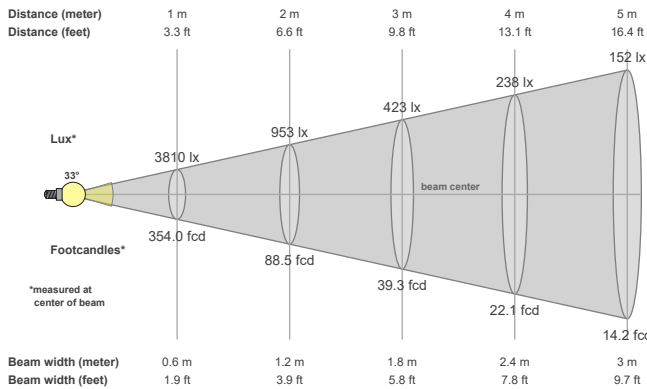


Color vector graphics



Color temperature	Color rendering index	Red component	Color fidelity	Color gamut	Color quality scale	Color coordinate cie 1931	Color coordinate cie 1931	Color coordinate	Color coordinate	Color deviation from black body
CCT	CRI	CRI R9	TM30 Rf	TM30 Rg	CQS	x	y	u	v	Δuv
3000 K	91.5	50.3	91.0	100.8	90.2	0.437	0.404	0.251	0.348	0.0020

Beam details



Beam angles

Beam angle 50%	Field angle 10%	Cutoff angle 2,5%
33°	51.8°	63.7°

Beam intensities

Peak intensity	Int. ratio in 120° cone	Int. ratio in 90° cone
3810 cd	99.6%	98.9%

Beam intensities from 1-20m

1m	2m	3m	4m	5m	6m	7m	8m	9m	10m	11m	12m	13m	14m	15m	16m	17m	18m	19m	20m
3.3ft	6.6ft	9.8ft	13.1ft	16.4ft	19.7ft	23ft	26.2ft	29.5ft	32.8ft	36.1ft	39.4ft	42.7ft	45.9ft	49.2ft	52.5ft	55.8ft	59.1ft	62.3ft	65.6ft
3810lx	953lx	423lx	238lx	152lx	106lx	78lx	60lx	47lx	38lx	31lx	26lx	23lx	19lx	17lx	15lx	13lx	12lx	11lx	10lx
354fcd	88.5fcd	39.3fcd	22.1fcd	14.2fcd	9.8fcd	7.2fcd	5.5fcd	4.4fcd	3.5fcd	2.9fcd	2.5fcd	2.1fcd	1.8fcd	1.6fcd	1.4fcd	1.2fcd	1.1fcd	1fcd	0.9fcd

The above information is for 3000K colour temperature, for specific module information please see LED spec located on our website

For information regarding other colour temperatures please use the following factors for lumen output and candelas:

2700K = 0.94
4000K = 1.07

Light efficiency:

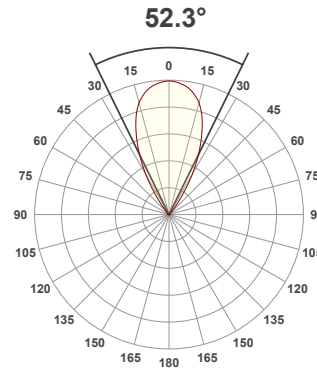
73 Lumen/Watt

Light quality:

CRI: 91.3

Color temperature:

3000 K



Product name:

**Plus3.5 Bevel Fixed, 3000K 55°
400mA + Lucent Housing 2"**

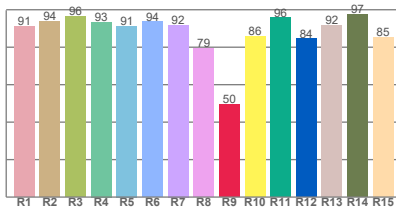
Item number:

**ALP090+13-LED-930-55-400mA
+ LH-LP-2.00**

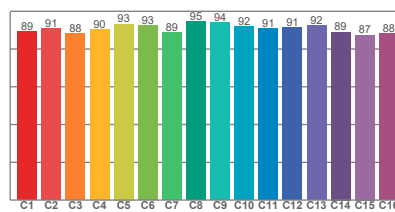
**Delivered information for
above fixture and LED
combination.**

Output: 1194 Lumen Peak intensity: 1697 cd Power consumption: 16.3

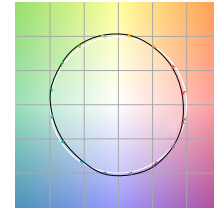
CRI R values



TM30 C Values

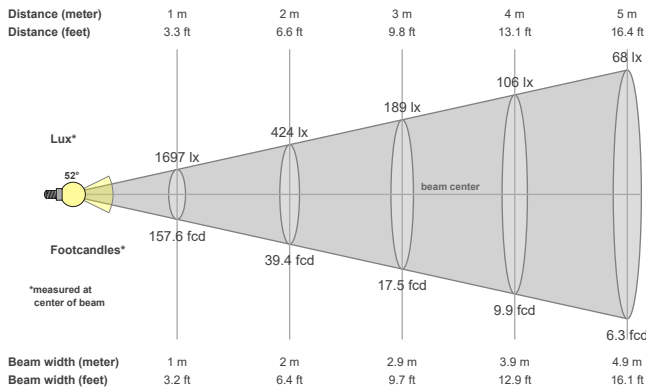


Color vector graphics



Color temperature	Color rendering index	Red component	Color fidelity	Color gamut	Color quality scale	Color coordinate cie 1931	Color coordinate cie 1931	Color coordinate	Color coordinate	Color deviation from black body
CCT	CRI	CRI R9	TM30 Rf	TM30 Rg	CQS	x	y	u	v	Δuv
3000 K	91.3	49.6	91.0	100.6	90.1	0.437	0.404	0.251	0.348	0.0021

Beam details



Beam angles

Beam angle 50%	Field angle 10%	Cutoff angle 2,5%
52.3°	74.8°	87°

Beam intensities

Peak intensity	Int. ratio in 120° cone	Int. ratio in 90° cone
1697 cd	99.8%	98.8%

Beam intensities from 1-20m

1m	2m	3m	4m	5m	6m	7m	8m	9m	10m	11m	12m	13m	14m	15m	16m	17m	18m	19m	20m
3.3ft	6.6ft	9.8ft	13.1ft	16.4ft	19.7ft	23ft	26.2ft	29.5ft	32.8ft	36.1ft	39.4ft	42.7ft	45.9ft	49.2ft	52.5ft	55.8ft	59.1ft	62.3ft	65.6ft
1697lx	424lx	189lx	106lx	68lx	47lx	35lx	27lx	21lx	17lx	14lx	12lx	10lx	9lx	8lx	7lx	6lx	5lx	5lx	4lx
157.6fcd	39.4fcd	17.5fcd	9.9fcd	6.3fcd	4.4fcd	3.2fcd	2.5fcd	1.9fcd	1.6fcd	1.3fcd	1.1fcd	0.9fcd	0.8fcd	0.7fcd	0.6fcd	0.5fcd	0.5fcd	0.4fcd	0.4fcd

The above information is for 3000K colour temperature, for specific module information please see LED spec located on our website

For information regarding other colour temperatures please use the following factors for lumen output and candelas:

2700K = 0.94
4000K = 1.07