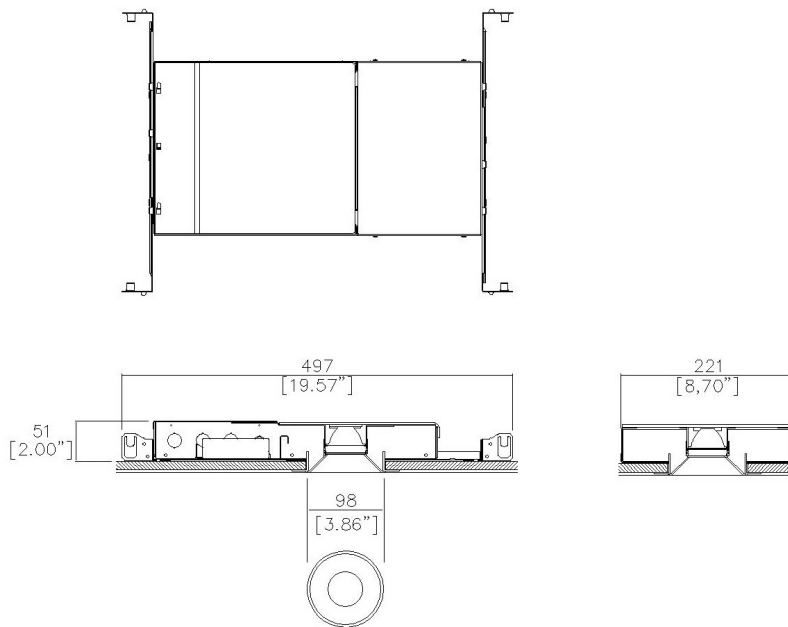


Plus Conical LP Low Profile Fixed Downlight



Shallow 2" housing provides high performance electronics and architectural aesthetics in round and square 3.5" trim. Using our standard Plus front plates with a shallow height 2" housing with built in LED. Include fixed in a flanged or trimless installation kit. Available in various front plates (Conical, Bevel, Edge, Pyramidal and Square Bevel). Lucent modules available in a wide range of color temperatures, beam angles, intensities, and effects (Ambiance WarmDim and Dynamic Tuneable White). MR16 and GU10 LED lamp options available. TRIAC/Phase, 0-10v/1-10v, DMX and DALI/Digital dimming.



ALP090+LED-TL - LH-LP-2.00
Cut-out 4.02" (102mm)



Mud-in kit for seamless/trimless

LED Source	LED	LED	LED	LED
CCT	3000K	3000K	3000K	3000K
Drive Current	400mA	400mA	400mA	400mA
Power inc Driver	16.3W	16.3W	16.3W	16.3W
Beam Angle	17°	24°	35°	55°
Delivered Lumens	1239	1227	1315	1281
Delivered Intensisty cd	9929	6595	3825	1653
Efficacy lm/w	76	75	80	79
Forward Volt	34.6V	34.6V	34.6V	34.6V
CRI	≥90 CRI	≥90 CRI	≥90 CRI	≥90 CRI

Project Ref: _____

Location Ref: _____

Specify fixture part number (All boxes must be filled in to correctly order)

ALP090+LED-TL					LH-LP-2.00	NIC	RTL				
Finish	_____										
WH	White										
BK	Black										
RAL	Custom*										
CCT	_____										
27	2700K										
30	3000K										
40	4000K										
Beam Angles	_____										
17	17										
24	24										
35	35										
55	55										
Ceiling Thickness	_____										
SC	Standard Ceiling (1/2"-5/8"-3/4")										
C	Custom										
Housing Size	_____										
LH-LP-2.00	Lucent Housing Low Profile 2.00"										
Housing Type	_____										
NIC	Non-Insulated Ceiling										
Fixture Type	_____										
RTL	Round Trimless										
Mounting Hardware	_____										
09	9" to 15.25"										
14	14" to 24"										
36	28" to 36"										
Supply Voltage	_____										
120	120V										
277	277V										
Protocol	_____										
S	Non-Dimmable (120 - 277V)										
P	TRIAC/Phase (120V ONLY)										
A	Analog (0-10V) (120 -277V)										
Louvre/Lens	_____										
XX	Not required										
LL45	Honeycomb										
LLCC	Warm Tone										
LLUV	UV										
LLDF	Solite/Diffusing										
LLFR	Frosted Lens										
LLLS	Linear Spread										
LLHS	Heavy Spread										

*Refer to Technical Details for more information

NIC Housing Type - No contact with insulation and at least 3 inches spacing from insulation in all directions



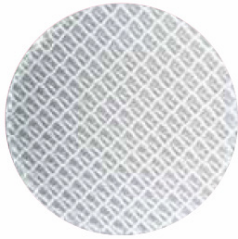
Honeycomb Louvre



Diffusing Lens



Frosted Lens



Heavy Spread Lens



Linear Spread Lens



Warm Tone

.....
Technical Details

*Custom RAL code must be specified. Custom RAL colours can increase prices and lead times

Dimming. Whilst Lucent can offer the majority of its luminaires with various dimming options, it remains the responsibility of the specifier/installer to check and ensure compatibility of any control equipment used. Additional cabling may be required depending on the dimming protocol specified.

**Bluetooth (wireless) is the communication method. The exact dimming protocol must be confirmed to allow the selection of suitable drivers or bluetooth devices.

^ Depth indicated may vary depending on lamp type used

First Fix Requirement. Luminaire comprised of fixture body with ceiling trim and installation kit, which is to be fitted into the ceiling once finished. Ensure correct alignment of the installation kit before final assembly (see luminaire installation instructions for details)

IP Rating. Tested from underside of the ceiling

It is the policy of Lucent Lighting to continually review and improve its products and therefore reserve the right to change any details of product or withdraw specifications without prior notice.

Luminaires designed to comply with EN60598 and all other standards.

This specification sheet supersedes all previous versions.

All intellectual property rights pertaining to the product described above and to this document are owned by or licensed to Lucent Lighting Ltd.

We reserve the right to take whatever action is necessary to protect those intellectual property rights.

Please notify Lucent Lighting Ltd of any inaccuracies immediately. E&OE

.....



Light efficiency:

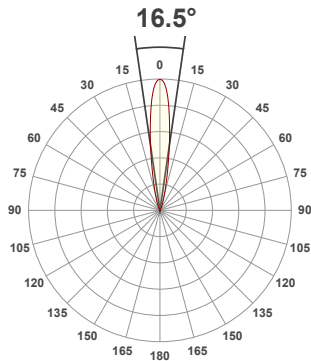
76 Lumen/Watt

Light quality:

CRI: 91.5

Color temperature:

3000 K



Product name:

Plus3.5 Conical Fixed, 3000K 17° 400mA + Lucent Housing 2"

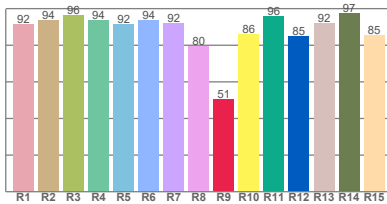
Item number:

ALP090+LED-930-17-400mA + LH-LP-2.00

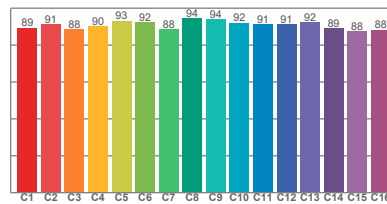
Delivered information for above fixture and LED combination.

Output: 1239 Lumen Peak intensity: 9929 cd Power consumption: 16.3

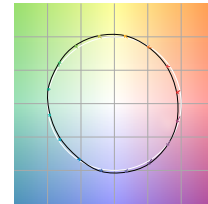
CRI R values



TM30 C Values

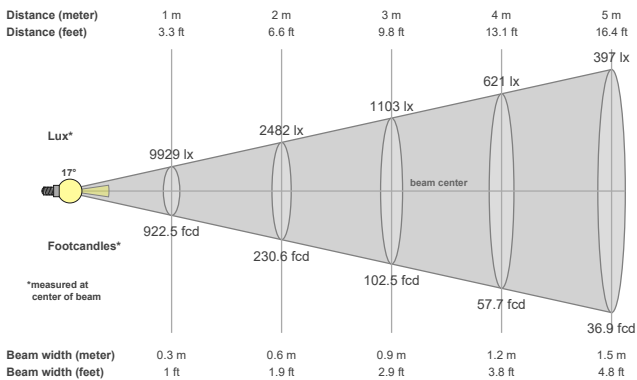


Color vector graphics



Color temperature	Color rendering index	Red component	Color fidelity	Color gamut	Color quality scale	Color coordinate cie 1931	Color coordinate cie 1931	Color coordinate	Color coordinate	Color deviation from black body
CCT	CRI	CRI R9	TM30 Rf	TM30 Rg	CQS	x	y	u	v	Δuv
3000 K	91.5	50.7	91.0	100.8	90.2	0.437	0.404	0.251	0.348	0.0019

Beam details



Beam angles

Beam angle 50%	Field angle 10%	Cutoff angle 2,5%
16.5°	34.5°	51.3°

Beam intensities

Peak intensity	Int. ratio in 120° cone	Int. ratio in 90° cone
9929 cd	99.6%	98.2%

Beam intensities from 1-20m

1m	2m	3m	4m	5m	6m	7m	8m	9m	10m	11m	12m	13m	14m	15m	16m	17m	18m	19m	20m
3.3ft	6.6ft	9.8ft	13.1ft	16.4ft	19.7ft	23ft	26.2ft	29.5ft	32.8ft	36.1ft	39.4ft	42.7ft	45.9ft	49.2ft	52.5ft	55.8ft	59.1ft	62.3ft	65.6ft
9929lx	2482lx	1103lx	621lx	397lx	276lx	203lx	155lx	123lx	99lx	82lx	69lx	59lx	51lx	44lx	39lx	34lx	31lx	28lx	25lx
922.5fcd	230.6fcd	102.5fcd	57.7fcd	36.9fcd	25.6fcd	18.8fcd	14.4fcd	11.4fcd	9.2fcd	7.6fcd	6.4fcd	5.5fcd	4.7fcd	4.1fcd	3.6fcd	3.2fcd	2.8fcd	2.6fcd	2.3fcd

The above information is for 3000K colour temperature, for specific module information please see LED spec located on our website

For information regarding other colour temperatures please use the following factors for lumen output and candelas:

2700K = 0.94

4000K = 1.07

Light efficiency:

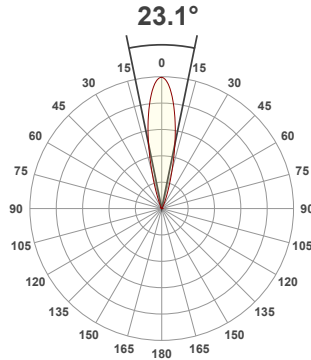
75 Lumen/Watt

Light quality:

CRI: 91.5

Color temperature:

3076 K



Product name:

Plus3.5 Conical Fixed, 3000K 24° 400mA + Lucent Housing 2"

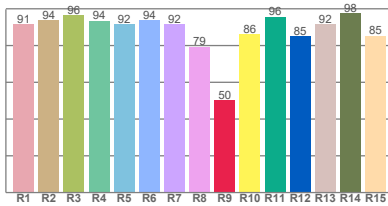
Item number:

ALP090+LED-930-24-400mA + LH-LP-2.00

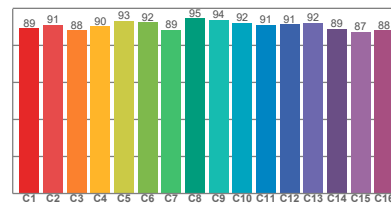
Delivered information for above fixture and LED combination.

Output: 1227 Lumen Peak intensity: 6595 cd Power consumption: 16.4

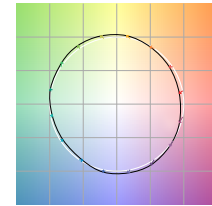
CRI R values



TM30 C Values

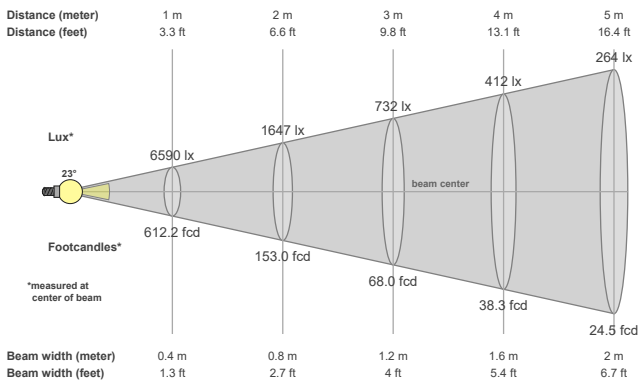


Color vector graphics



Color temperature	Color rendering index	Red component	Color fidelity	Color gamut	Color quality scale	Color coordinate cie 1931	Color coordinate cie 1931	Color coordinate	Color coordinate	Color deviation from black body
CCT	CRI	CRI R9	TM30 Rf	TM30 Rg	CQS	x	y	u	v	Δuv
3076 K	91.5	50.2	91.0	100.8	90.1	0.434	0.408	0.247	0.348	0.0019

Beam details



Beam angles

Beam angle 50%	Field angle 10%	Cutoff angle 2,5%
23.1°	40.8°	54.4°

Beam intensities

Peak intensity	Int. ratio in 120° cone	Int. ratio in 90° cone
6595 cd	99.7%	98.5%

Beam intensities from 1-20m

1m	2m	3m	4m	5m	6m	7m	8m	9m	10m	11m	12m	13m	14m	15m	16m	17m	18m	19m	20m
3.3ft	6.6ft	9.8ft	13.1ft	16.4ft	19.7ft	23ft	26.2ft	29.5ft	32.8ft	36.1ft	39.4ft	42.7ft	45.9ft	49.2ft	52.5ft	55.8ft	59.1ft	62.3ft	65.6ft
6590lx	1647lx	732lx	412lx	264lx	183lx	134lx	103lx	81lx	66lx	54lx	46lx	39lx	34lx	29lx	26lx	23lx	20lx	18lx	16lx
612.2fcd	153fcd	68fcd	38.3fcd	24.5fcd	17fcd	12.5fcd	9.6fcd	7.6fcd	6.1fcd	5.1fcd	4.3fcd	3.6fcd	3.1fcd	2.7fcd	2.4fcd	2.1fcd	1.9fcd	1.7fcd	1.5fcd

The above information is for 3000K colour temperature, for specific module information please see LED spec located on our website

For information regarding other colour temperatures please use the following factors for lumen output and candelas:

2700K = 0.94

4000K = 1.07

Light efficiency:

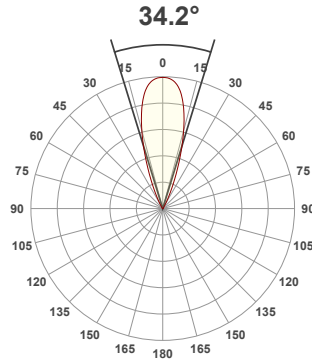
80 Lumen/Watt

Light quality:

CRI: 91.6

Color temperature:

3000 K



Product name:

**Plus3.5 Conical Fixed, 3000K 35°
400mA + Lucent Housing 2"**

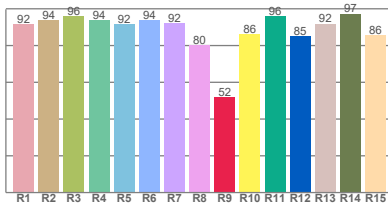
Item number:

**ALP090+LED-930-35-400mA +
LH-LP-2.00**

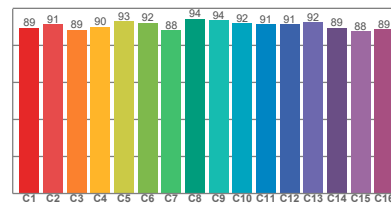
**Delivered information for above
fixture and LED combination.**

Output: 1315 Lumen Peak intensity: 3825 cd Power consumption: 16.3

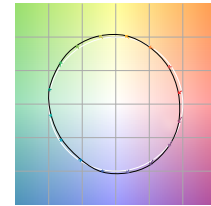
CRI R values



TM30 C Values

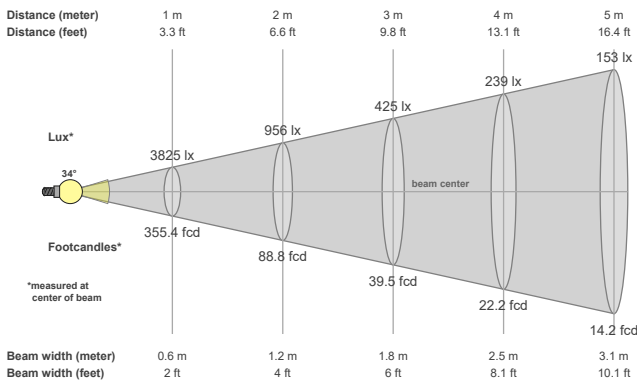


Color vector graphics



Color temperature	Color rendering index	Red component	Color fidelity	Color gamut	Color quality scale	Color coordinate cie 1931	Color coordinate cie 1931	Color coordinate	Color coordinate	Color deviation from black body
CCT	CRI	CRI R9	TM30 Rf	TM30 Rg	CQS	x	y	u	v	Δuv
3000 K	91.6	51.8	91.0	100.9	90.3	0.437	0.404	0.251	0.348	0.0021

Beam details



Beam angles

Beam angle 50%	Field angle 10%	Cutoff angle 2,5%
34.2°	53.2°	65.9°

Beam intensities

Peak intensity	Int. ratio in 120° cone	Int. ratio in 90° cone
3825 cd	99.7%	98.5%

Beam intensities from 1-20m

1m	2m	3m	4m	5m	6m	7m	8m	9m	10m	11m	12m	13m	14m	15m	16m	17m	18m	19m	20m
3.3ft	6.6ft	9.8ft	13.1ft	16.4ft	19.7ft	23ft	26.2ft	29.5ft	32.8ft	36.1ft	39.4ft	42.7ft	45.9ft	49.2ft	52.5ft	55.8ft	59.1ft	62.3ft	65.6ft
3825lx	956lx	425lx	239lx	153lx	106lx	78lx	60lx	47lx	38lx	32lx	27lx	23lx	20lx	17lx	15lx	13lx	12lx	11lx	10lx
355.4fcd	88.8fcd	39.5fcd	22.2fcd	14.2fcd	9.9fcd	7.3fcd	5.6fcd	4.4fcd	3.6fcd	2.9fcd	2.5fcd	2.1fcd	1.8fcd	1.6fcd	1.4fcd	1.2fcd	1.1fcd	1fcd	0.9fcd

The above information is for 3000K colour temperature, for specific module information please see LED spec located on our website

For information regarding other colour temperatures please use the following factors for lumen output and candelas:

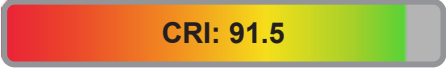
2700K = 0.94

4000K = 1.07

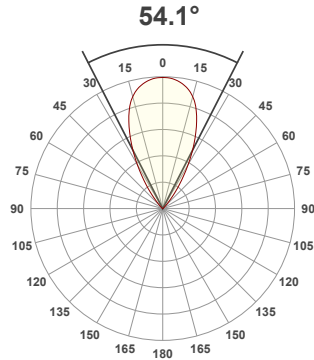
Light efficiency:



Light quality:



Color temperature:



Product name:

Plus3.5 Conical Fixed, 3000K 55° 400mA + Lucent Housing 2"

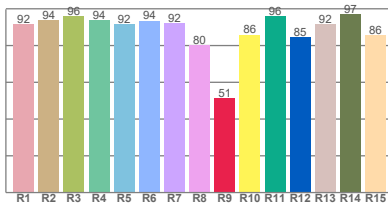
Item number:

ALP090+LED-930-55-400mA + LH-LP-2.00

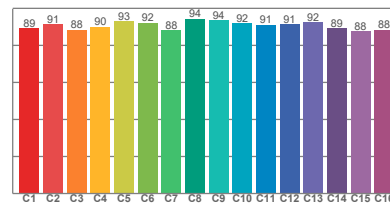
Delivered information for above fixture and LED combination.

Output: 1281 Lumen Peak intensity: 1653 cd Power consumption: 16.3

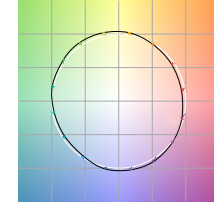
CRI R values



TM30 C Values

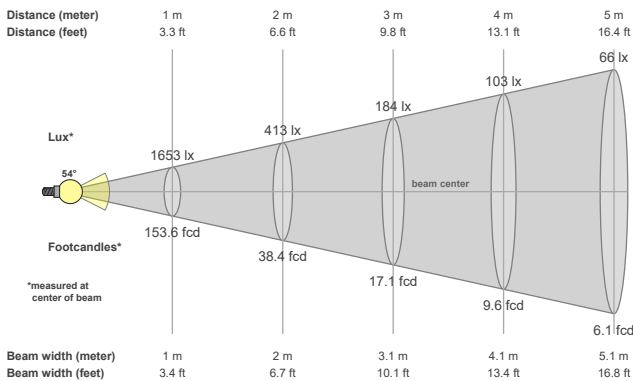


Color vector graphics



Color temperature	Color rendering index	Red component	Color fidelity	Color gamut	Color quality scale	Color coordinate cie 1931	Color coordinate cie 1931	Color coordinate	Color coordinate	Color deviation from black body
CCT	CRI	CRI R9	TM30 Rf	TM30 Rg	CQS	x	y	u	v	Δuv
3000 K	91.5	51.4	90.9	100.9	90.2	0.437	0.404	0.251	0.348	0.0021

Beam details



Beam angles

Beam angle 50%	Field angle 10%	Cutoff angle 2,5%
54.1°	79.1°	93.3°

Beam intensities

Peak intensity	Int. ratio in 120° cone	Int. ratio in 90° cone
1653 cd	99.6%	97.7%

Beam intensities from 1-20m

1m	2m	3m	4m	5m	6m	7m	8m	9m	10m	11m	12m	13m	14m	15m	16m	17m	18m	19m	20m
3.3ft	6.6ft	9.8ft	13.1ft	16.4ft	19.7ft	23ft	26.2ft	29.5ft	32.8ft	36.1ft	39.4ft	42.7ft	45.9ft	49.2ft	52.5ft	55.8ft	59.1ft	62.3ft	65.6ft
1653lx	413lx	184lx	103lx	66lx	46lx	34lx	26lx	20lx	17lx	14lx	11lx	10lx	8lx	7lx	6lx	6lx	5lx	5lx	4lx
153.6fcd	38.4fcd	17.1fcd	9.6fcd	6.1fcd	4.3fcd	3.1fcd	2.4fcd	1.9fcd	1.5fcd	1.3fcd	1.1fcd	0.9fcd	0.8fcd	0.7fcd	0.6fcd	0.5fcd	0.5fcd	0.4fcd	0.4fcd

The above information is for 3000K colour temperature, for specific module information please see LED spec located on our website

For information regarding other colour temperatures please use the following factors for lumen output and candelas:

2700K = 0.94
4000K = 1.07