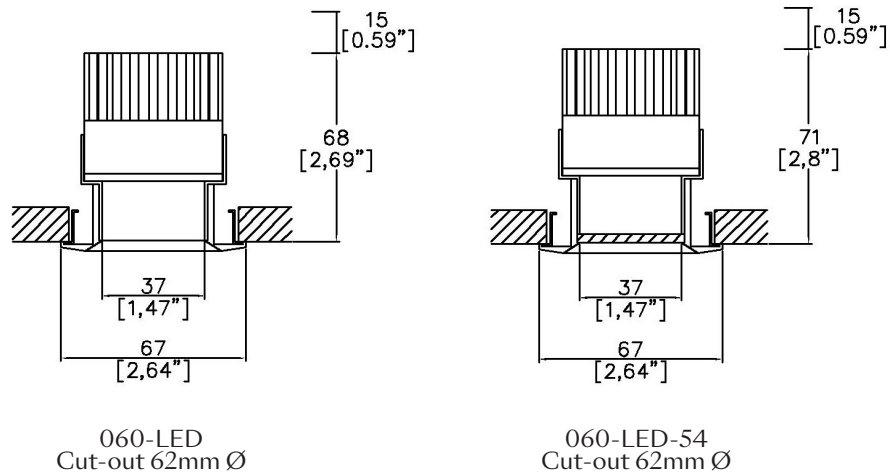


ProSpex Focus60 Fixed Low Height



67mm (2.64") overall diameter. Shallow Height Low Output downlight. Available with standard trim kit. Family of matching products also available. Required depth height + 25mm[^]



LED Source	LED51/2-SH-LO	LED51/2-SH-LO	LED51/2-SH-LO	LED51/2-SH-LO
CCT	3000K	3000K	3000K	3000K
Drive Current	250mA	250mA	250mA	250mA
Power inc Driver	9.7W	9.7W	9.7W	9.7W
Beam Angle	12°	24°	38°	55°
Delivered Lumens	488	501	603	628
Delivered Intensisty cd	5442	2981	1707	968
Efficacy lm/w	50	52	62	65
Forward Volt	33V	33V	33V	33V
CRI	≥90 CRI	≥90 CRI	≥90 CRI	≥90 CRI

Project Ref: _____

Location Ref: _____

Fixture Order Code:

060-LED	-		-		-	
---------	---	--	---	--	---	--

Fixture
060-LED

Focus60 Fixed with LED51

IP Rating
54

IP54

Finish
WH
BK
RAL

White
Black
Custom RAL Colour*

Emergency

E	Maintained 3hr Emergency
ED	Maintained 3hr DALI Self Test
ES	Maintained 3hr Self Test

IP Rating: If you do not require an IP rating please leave the box blank



LED Order Code:

LED51/2	-		-		-	SH-LO	-	
---------	---	--	---	--	---	-------	---	--

LED
LED51/2

LED50 ONE GEN2

CCT
927
930
935
940

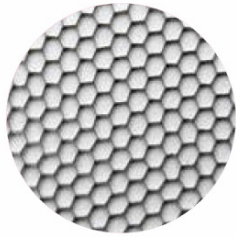
90 CRI 2700K
90 CRI 3000K
90 CRI 3500K
90 CRI 4000K

Beam
12°
24°
38°
55°

Shallow Height Low Output

Protocol

S	Non-Dim
A	Analogue (0-10v)
P	Phase
D	DALI
B	Bluetooth**



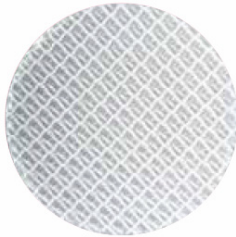
Honeycomb Louvre



Diffusing Lens



Frosted Lens



Heavy Spread Lens



Linear Spread Lens



Warm Tone

Accessories Order Code:

Louvre/Lens

- LL45 Honeycomb Louvre
- LLCC Warm Tone Lens
- LLUV UV Lens
- LLDF Diffusing Lens
- LLFR Frosted Lens
- LLLS Linear Spread Lens
- LLHS Heavy Spread Lens

Technical Details

*Custom RAL code must be specified. Custom RAL colours can increase prices and lead times

Dimming. Whilst Lucent can offer the majority of its luminaires with various dimming options, it remains the responsibility of the specifier/installer to check and ensure compatibility of any control equipment used. Additional cabling may be required depending on the dimming protocol specified.

**Bluetooth (wireless) is the communication method. The exact dimming protocol must be confirmed to allow the selection of suitable drivers or bluetooth devices.

^ Depth indicated is the minimum recess depth for the luminaire with a remote mounted LED driver. Installing a driver through either the luminaire cut-out or installation kit may require additional recess depth, please refer to the relevant luminaire installation instructions for further details. Data correct at time of publishing

First Fix Requirement. Luminaire comprised of fixture body with ceiling trim and installation kit, which is to be fitted into the ceiling once finished. Ensure correct alignment of the installation kit before final assembly (see luminaire installation instructions for details)

IP Rating. Tested from underside of the ceiling

It is the policy of Lucent Lighting to continually review and improve its products and therefore reserve the right to change any details of product or withdraw specifications without prior notice.

Luminaires designed to comply with EN60598 and all other standards.

This specification sheet supersedes all previous versions.

All intellectual property rights pertaining to the product described above and to this document are owned by or licensed to Lucent Lighting Ltd.

We reserve the right to take whatever action is necessary to protect those intellectual property rights.

Please notify Lucent Lighting Ltd of any inaccuracies immediately. E&OE

Light efficiency:

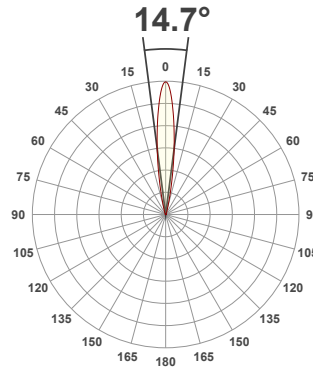
50 Lumen/Watt

Light quality:

CRI: 92.5

Color temperature:

3000 K



Product name:

**Focus 60_90_Multi - LED50
ONE GEN2, 3000K, 12°, 250mA**

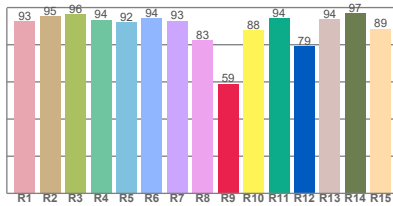
Item number:

**Focus 60_90_Multi -
LED51/2-30-12-250mA**

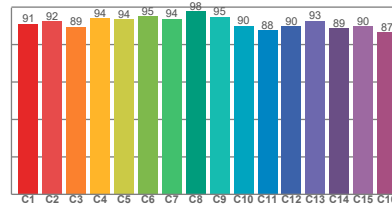
**Delivered information for above
fixture and LED combination.**

Output: 488 Lumen Peak intensity: 5442 cd Power consumption: 9.7

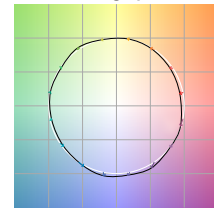
CRI R values



TM30 C Values

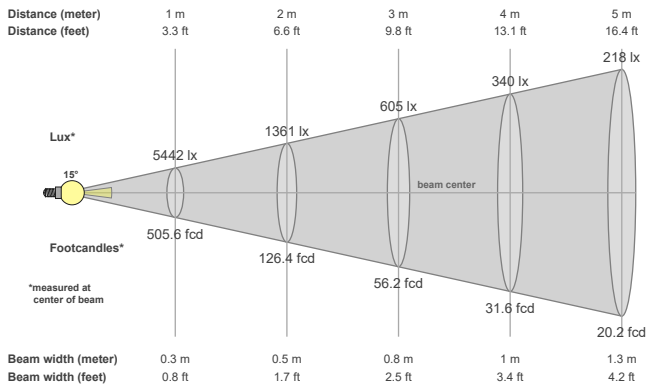


Color vector graphics



Color temperature	Color rendering index	Red component	Color fidelity	Color gamut	Color quality scale	Color coordinate cie 1931	Color coordinate cie 1931	Color coordinate	Color coordinate	Color deviation from black body
CCT	CRI	CRI R9	TM30 Rf	TM30 Rg	CQS	x	y	u	v	Δuv
3000 K	92.5	59.0	91.6	99.9	90.7	0.437	0.404	0.250	0.348	0.0003

Beam details



Beam angles

Beam angle 50%	Field angle 10%	Cutoff angle 2,5%
14.7°	27.8°	42.3°

Beam intensities

Peak intensity	Int. ratio in 120° cone	Int. ratio in 90° cone
5442 cd	99.6%	99.0%

Beam intensities from 1-20m

1m	2m	3m	4m	5m	6m	7m	8m	9m	10m	11m	12m	13m	14m	15m	16m	17m	18m	19m	20m
3.3ft	6.6ft	9.8ft	13.1ft	16.4ft	19.7ft	23ft	26.2ft	29.5ft	32.8ft	36.1ft	39.4ft	42.7ft	45.9ft	49.2ft	52.5ft	55.8ft	59.1ft	62.3ft	65.6ft
5442lx	1361lx	605lx	340lx	218lx	151lx	111lx	85lx	67lx	54lx	45lx	38lx	32lx	28lx	24lx	21lx	19lx	17lx	15lx	14lx
505.6fcd	126.4fcd	56.2fcd	31.6fcd	20.2fcd	14fcd	10.3fcd	7.9fcd	6.2fcd	5.1fcd	4.2fcd	3.5fcd	3fcd	2.6fcd	2.2fcd	2fcd	1.7fcd	1.6fcd	1.4fcd	1.3fcd

The above information is for 3000K colour temperature, for specific module information please see LED spec located on our website

For information regarding other colour temperatures please use the following factors for lumen output and candelas:

2700K = 1
4000K = 1.084

Light efficiency:

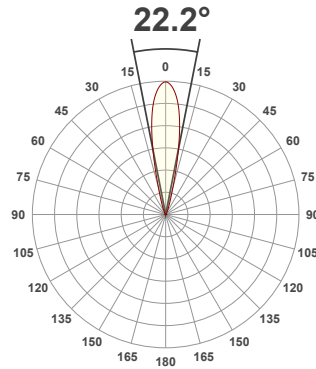
52 Lumen/Watt

Light quality:

CRI: 92.4

Color temperature:

3000 K



Product name:

**Focus 60_90_Multi - LED50
ONE GEN2, 3000K, 24°, 250mA**

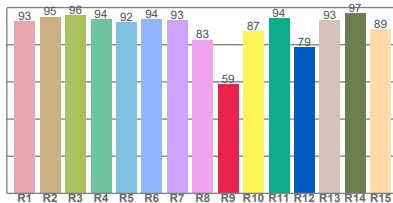
Item number:

**Focus 60_90_Multi -
LED51/2-30-24-250mA**

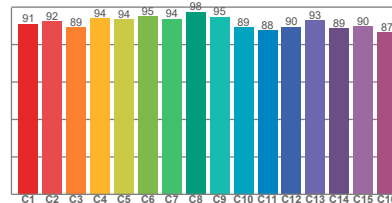
**Delivered information for above
fixture and LED combination.**

Output: 501 Lumen Peak intensity: 2981 cd Power consumption: 9.7

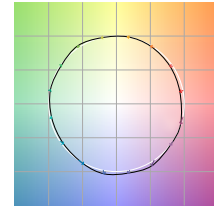
CRI R values



TM30 C Values

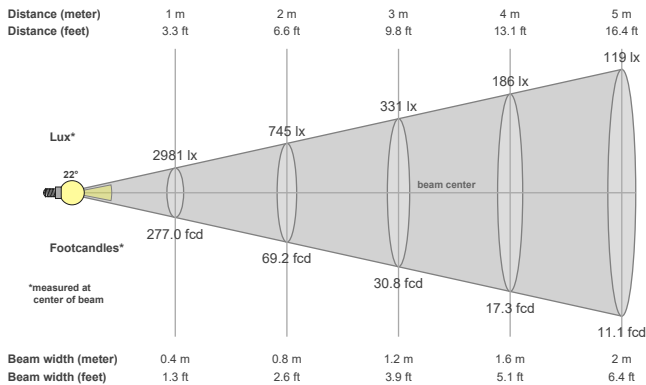


Color vector graphics



Color temperature	Color rendering index	Red component	Color fidelity	Color gamut	Color quality scale	Color coordinate cie 1931	Color coordinate cie 1931	Color coordinate	Color coordinate	Color deviation from black body
CCT	CRI	CRI R9	TM30 Rf	TM30 Rg	CQS	x	y	u	v	Δuv
3000 K	92.4	59.0	91.6	99.9	90.7	0.437	0.404	0.250	0.348	0.0005

Beam details



Beam angels

Beam angle 50%	Field angle 10%	Cutoff angle 2,5%
22.2°	37.4°	55°

Beam intensities

Peak intensity	Int. ratio in 120° cone	Int. ratio in 90° cone
2981 cd	99.8%	99.0%

Beam intensities from 1-20m

1m	2m	3m	4m	5m	6m	7m	8m	9m	10m	11m	12m	13m	14m	15m	16m	17m	18m	19m	20m
3.3ft	6.6ft	9.8ft	13.1ft	16.4ft	19.7ft	23ft	26.2ft	29.5ft	32.8ft	36.1ft	39.4ft	42.7ft	45.9ft	49.2ft	52.5ft	55.8ft	59.1ft	62.3ft	65.6ft
2981lx	745lx	331lx	186lx	119lx	83lx	61lx	47lx	37lx	30lx	25lx	21lx	18lx	15lx	13lx	12lx	10lx	9lx	8lx	7lx
277fcd	69.2fcd	30.8fcd	17.3fcd	11.1fcd	7.7fcd	5.7fcd	4.3fcd	3.4fcd	2.8fcd	2.3fcd	1.9fcd	1.6fcd	1.4fcd	1.2fcd	1.1fcd	1fcd	0.9fcd	0.8fcd	0.7fcd

The above information is for 3000K colour temperature, for specific module information please see LED spec located on our website

For information regarding other colour temperatures please use the following factors for lumen output and candelas:

2700K = 1

4000K = 1.084

Light efficiency:

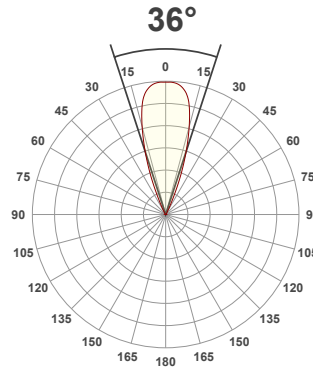
62 Lumen/Watt

Light quality:

CRI: 92.4

Color temperature:

3000 K



Product name:

**Focus 60_90_Multi - LED50
ONE GEN2, 3000K, 38°, 250mA**

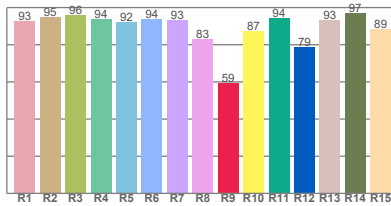
Item number:

**Focus 60_90_Multi -
LED51/2-30-38-250mA**

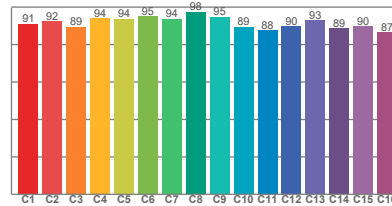
**Delivered information for above
fixture and LED combination.**

Output: 603 Lumen Peak intensity: 1707 cd Power consumption: 9.7

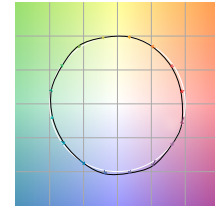
CRI R values



TM30 C Values

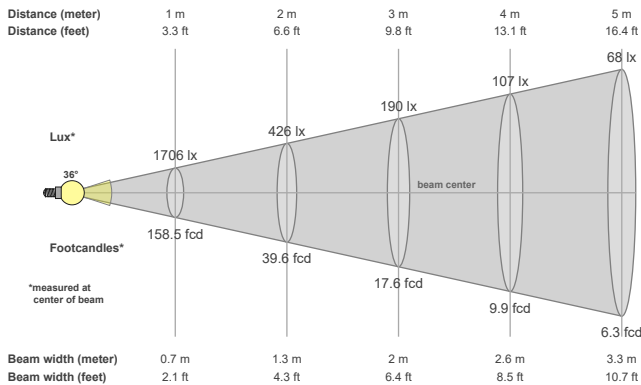


Color vector graphics



Color temperature	Color rendering index	Red component	Color fidelity	Color gamut	Color quality scale	Color coordinate cie 1931	Color coordinate cie 1931	Color coordinate	Color coordinate	Color deviation from black body
CCT	CRI	CRI R9	TM30 Rf	TM30 Rg	CQS	x	y	u	v	Δuv
3000 K	92.4	59.3	91.7	99.9	90.8	0.437	0.404	0.249	0.348	0.0006

Beam details



Beam angels

Beam angle 50%	Field angle 10%	Cutoff angle 2,5%
36°	50.9°	62.4°

Beam intensities

Peak intensity	Int. ratio in 120° cone	Int. ratio in 90° cone
1707 cd	99.7%	99.0%

Beam intensities from 1-20m

1m	2m	3m	4m	5m	6m	7m	8m	9m	10m	11m	12m	13m	14m	15m	16m	17m	18m	19m	20m
3.3ft	6.6ft	9.8ft	13.1ft	16.4ft	19.7ft	23ft	26.2ft	29.5ft	32.8ft	36.1ft	39.4ft	42.7ft	45.9ft	49.2ft	52.5ft	55.8ft	59.1ft	62.3ft	65.6ft
1706lx	426lx	190lx	107lx	68lx	47lx	35lx	27lx	21lx	17lx	14lx	12lx	10lx	9lx	8lx	7lx	6lx	5lx	5lx	4lx
158.5fcd	39.6fcd	17.6fcd	9.9fcd	6.3fcd	4.4fcd	3.2fcd	2.5fcd	2fcd	1.6fcd	1.3fcd	1.1fcd	0.9fcd	0.8fcd	0.7fcd	0.6fcd	0.5fcd	0.5fcd	0.4fcd	0.4fcd

The above information is for 3000K colour temperature, for specific module information please see LED spec located on our website

For information regarding other colour temperatures please use the following factors for lumen output and candelas:

2700K = 1
3500K = 1
4000K = 1.084

Light efficiency:

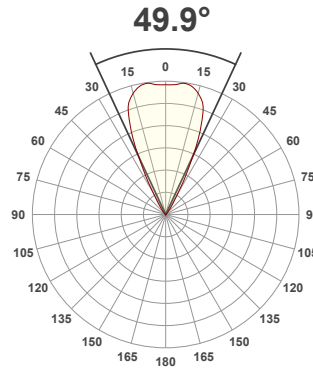
65 Lumen/Watt

Light quality:

CRI: 92.3

Color temperature:

3000 K



Product name:

**Focus 60_90_Multi - LED50
ONE GEN2, 3000K, 55°, 250mA**

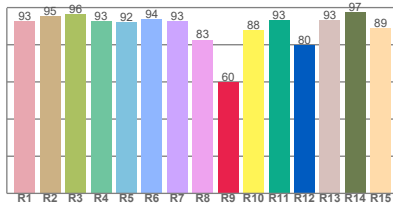
Item number:

**Focus 60_90_Multi -
LED51/2-30-55-250mA**

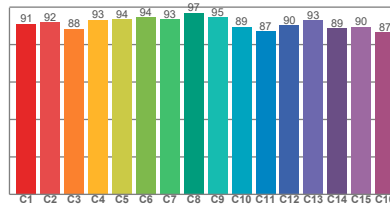
**Delivered information for above
fixture and LED combination.**

Output: 628 Lumen Peak intensity: 968 cd Power consumption: 9.7

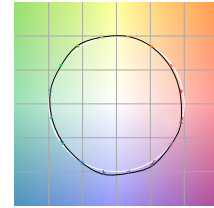
CRI R values



TM30 C Values

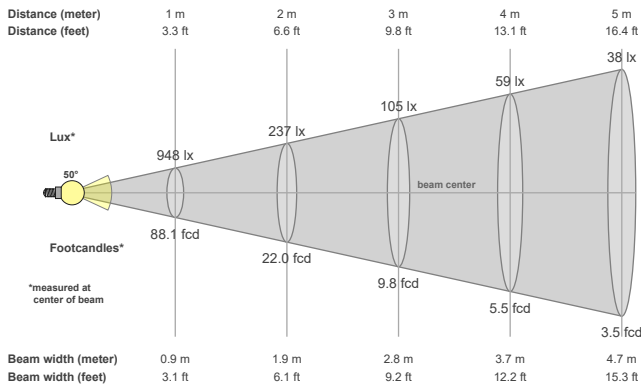


Color vector graphics



Color temperature	Color rendering index	Red component	Color fidelity	Color gamut	Color quality scale	Color coordinate cie 1931	Color coordinate cie 1931	Color coordinate	Color coordinate	Color deviation from black body
CCT	CRI	CRI R9	TM30 Rf	TM30 Rg	CQS	x	y	u	v	Δuv
3000 K	92.3	59.6	91.4	100.3	90.3	0.437	0.404	0.249	0.346	-0.0006

Beam details



Beam angels

Beam angle 50%	Field angle 10%	Cutoff angle 2,5%
49.9°	67.2°	84°

Beam intensities

Peak intensity	Int. ratio in 120° cone	Int. ratio in 90° cone
968 cd	99.7%	98.6%

Beam intensities from 1-20m

1m	2m	3m	4m	5m	6m	7m	8m	9m	10m	11m	12m	13m	14m	15m	16m	17m	18m	19m	20m
3.3ft	6.6ft	9.8ft	13.1ft	16.4ft	19.7ft	23ft	26.2ft	29.5ft	32.8ft	36.1ft	39.4ft	42.7ft	45.9ft	49.2ft	52.5ft	55.8ft	59.1ft	62.3ft	65.6ft
948lx	237lx	105lx	59lx	38lx	26lx	19lx	15lx	12lx	9lx	8lx	7lx	6lx	5lx	4lx	4lx	3lx	3lx	3lx	2lx
88.1fcd	22fcd	9.8fcd	5.5fcd	3.5fcd	2.4fcd	1.8fcd	1.4fcd	1.1fcd	0.9fcd	0.7fcd	0.6fcd	0.5fcd	0.4fcd	0.4fcd	0.3fcd	0.3fcd	0.3fcd	0.2fcd	0.2fcd

The above information is for 3000K colour temperature, for specific module information please see LED spec located on our website

For information regarding other colour temperatures please use the following factors for lumen output and candelas:

2700K = 1
3500K = 1
4000K = 1.084