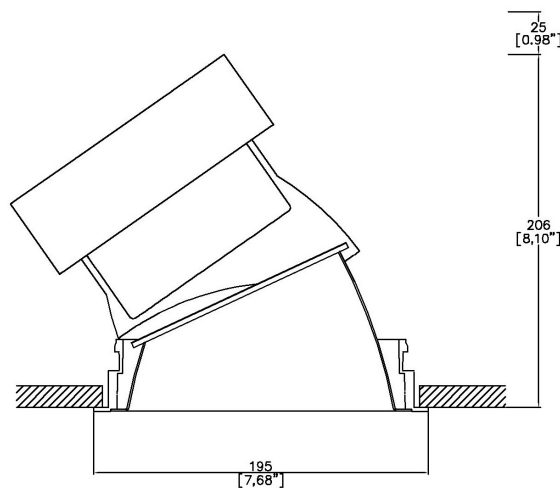


ProSpex Performance195 Accent



195mm (7.68") overall diameter dark light accent downlight fixture. Up to 35° tilt. Supplied as standard with semi-specular silver reflector and white die-cast trim. Pattress provided for soft tile or metal ceiling installation. Suitable for installation into plasterboard ceiling upto 25mm thick. Required depth = height + 25mm[^]



PP1953
Cut out Ø185mm
Weight: 1.74kg

LED Source	COB	COB	COB	COB
CCT	3000K	3000K	3000K	3000K
Drive Current	1600mA	1600mA	1600mA	1600mA
Power inc Driver	93.6W	93.6W	93.6W	93.6W
Beam Angle	18°	24°	33°	52°
Delivered Lumens	7067	7310	7758	7138
Delivered Intensisty cd	50759	35788	23824	11866
Efficacy lm/w	76	78	83	76
Forward Volt	49.7V	49.7V	49.7V	49.7V
CRI	≥90 CRI	≥90 CRI	≥90 CRI	≥90 CRI

Project Ref: _____

Location Ref: _____

Fixture Order Code: - - - - -

Fixture
PP1953

Performance195 Accent

CCT

- 27
- 30
- 35
- 40

- 2700K
- 3000K
- 3500K
- 4000K

Beam

- 18
- 24
- 33
- 52

- 18°
- 24°
- 33°
- 52°

Trim Finish

- WH
- RAL

- White
- Custom RAL Colour*

Reflector Finish

SSS

Semi Specular Silver

Protocol

- S
- A
- D
- B

- Non-Dim
- Analogue (0-10V)
- DALI
- Bluetooth**



Honeycomb Louvre



Diffusing Lens

Accessories Order Code:

Louvre/Lens
193-ACC
1953-DF

Honeycomb Louvre
Diffusing Lens

Technical Details

*Custom RAL code must be specified. Custom RAL colours can increase prices and lead times

Dimming. Whilst Lucent can offer the majority of its luminaires with various dimming options, it remains the responsibility of the specifier/installer to check and ensure compatibility of any control equipment used. Additional cabling may be required depending on the dimming protocol specified.

**Bluetooth (wireless) is the communication method. The exact dimming protocol must be confirmed to allow the selection of suitable drivers or bluetooth devices.

^ Depth indicated is the minimum recess depth for the luminaire with a remote mounted LED driver. Installing a driver through either the luminaire cut-out or installation kit may require additional recess depth, please refer to the relevant luminaire installation instructions for further details. Data correct at time of publishing

First Fix Requirement. Luminaire comprised of fixture body with ceiling trim and installation kit, which is to be fitted into the ceiling once finished. Ensure correct alignment of the installation kit before final assembly (see luminaire installation instructions for details)

IP Rating. Tested from underside of the ceiling

It is the policy of Lucent Lighting to continually review and improve its products and therefore reserve the right to change any details of product or withdraw specifications without prior notice.

Luminaires designed to comply with EN60598 and all other standards.

This specification sheet supersedes all previous versions.

All intellectual property rights pertaining to the product described above and to this document are owned by or licensed to Lucent Lighting Ltd.

We reserve the right to take whatever action is necessary to protect those intellectual property rights.

Please notify Lucent Lighting Ltd of any inaccuracies immediately. E&OE

Light efficiency:

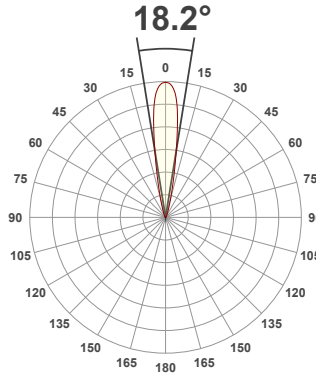
76 Lumen/Watt

Light quality:

CRI: 92.6

Color temperature:

3000 K



Product name:

ProSpex Performance195 Accent

LED, 3000K, 18°, 1600mA

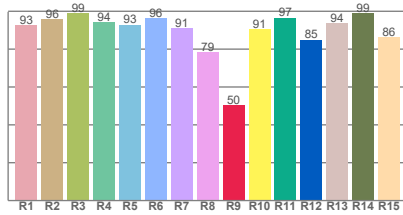
Item number:

PP1953-30-18-SSS-1600mA

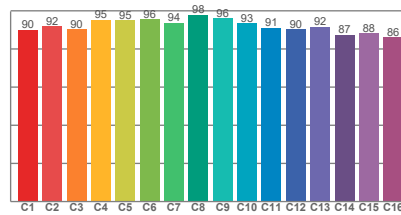
Delivered information for above fixture and LED combination.

Output: 7067 Lumen Peak intensity: 50759 cd Power consumption: 93.6

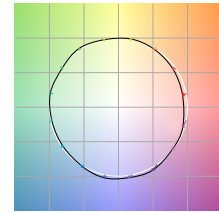
CRI R values



TM30 C Values

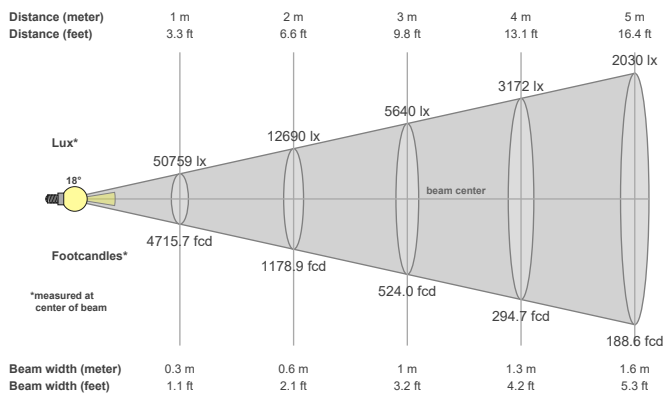


Color vector graphics



Color temperature	Color rendering index	Red component	Color fidelity	Color gamut	Color quality scale	Color coordinate cie 1931	Color coordinate cie 1931	Color coordinate	Color coordinate	Color deviation from black body
CCT	CRI	CRI R9	TM30 Rf	TM30 Rg	CQS	x	y	u	v	Δuv
3000 K	92.6	50.2	92.3	99.4	91.0	0.437	0.404	0.249	0.348	0.0009

Beam details



Beam angles

Beam angle 50%	Field angle 10%	Cutoff angle 2,5%
18.2°	33.8°	54°

Beam intensities

Peak intensity	Int. ratio in 120° cone	Int. ratio in 90° cone
50759 cd	98.4%	96.6%

Beam intensities from 1-20m

1m	2m	3m	4m	5m	6m	7m	8m	9m	10m	11m	12m	13m	14m	15m	16m	17m	18m	19m	20m
3.3ft	6.6ft	9.8ft	13.1ft	16.4ft	19.7ft	23ft	26.2ft	29.5ft	32.8ft	36.1ft	39.4ft	42.7ft	45.9ft	49.2ft	52.5ft	55.8ft	59.1ft	62.3ft	65.6ft
50759lx	12690lx	5640lx	3172lx	2030lx	1410lx	1036lx	793lx	627lx	508lx	419lx	352lx	300lx	259lx	226lx	198lx	176lx	157lx	141lx	127lx
4715.7fcd	1178.9fcd	524fcd	294.7fcd	188.6fcd	131fcd	96.2fcd	73.7fcd	58.2fcd	47.2fcd	39fcd	32.7fcd	27.9fcd	24.1fcd	21fcd	18.4fcd	16.3fcd	14.6fcd	13.1fcd	11.8fcd

The above information is for 3000K colour temperature.

Light efficiency:

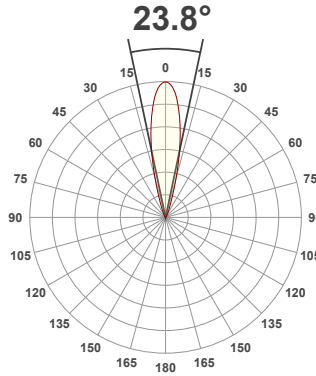
78 Lumen/Watt

Light quality:

CRI: 92.5

Color temperature:

3000 K



Product name:

ProSpex Performance195 Accent

LED, 3000K, 24°, 1600mA

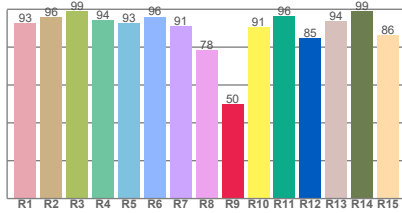
Item number:

PP1953-30-24-SSS-1600mA

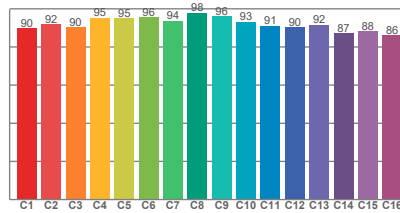
Delivered information for above fixture and LED combination.

Output: 7310 Lumen Peak intensity: 35788 cd Power consumption: 93.6

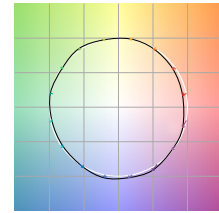
CRI R values



TM30 C Values

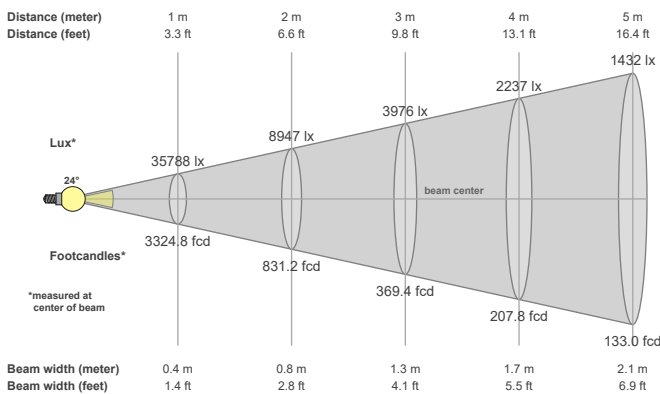


Color vector graphics



Color temperature	Color rendering index	Red component	Color fidelity	Color gamut	Color quality scale	Color coordinate cie 1931	Color coordinate cie 1931	Color coordinate	Color coordinate	Color deviation from black body
CCT	CRI	CRI R9	TM30 Rf	TM30 Rg	CQS	x	y	u	v	Δuv
3000 K	92.5	49.8	92.3	99.3	90.9	0.437	0.404	0.249	0.348	0.0010

Beam details



Beam angles

Beam angle 50%	Field angle 10%	Cutoff angle 2,5%
23.8°	41°	60.4°

Beam intensities

Peak intensity	Int. ratio in 120° cone	Int. ratio in 90° cone
35788 cd	97.8%	95.4%

Beam intensities from 1-20m

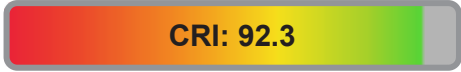
1m	2m	3m	4m	5m	6m	7m	8m	9m	10m	11m	12m	13m	14m	15m	16m	17m	18m	19m	20m
3.3ft	6.6ft	9.8ft	13.1ft	16.4ft	19.7ft	23ft	26.2ft	29.5ft	32.8ft	36.1ft	39.4ft	42.7ft	45.9ft	49.2ft	52.5ft	55.8ft	59.1ft	62.3ft	65.6ft
35788lx	8947lx	3976lx	2237lx	1432lx	994lx	730lx	559lx	442lx	358lx	296lx	249lx	212lx	183lx	159lx	140lx	124lx	110lx	99lx	89lx
3324.8fcd	831.2fcd	369.4fcd	207.8fcd	133fcd	92.4fcd	67.9fcd	51.9fcd	41fcd	33.2fcd	27.5fcd	23.1fcd	19.7fcd	17fcd	14.8fcd	13fcd	11.5fcd	10.3fcd	9.2fcd	8.3fcd

The above information is for 3000K colour temperature.

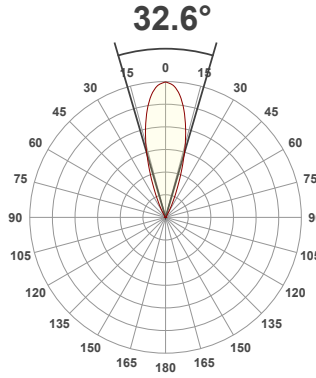
Light efficiency:



Light quality:



Color temperature:



Product name:

ProSpex Performance195 Accent

LED, 3000K, 33°, 1600mA

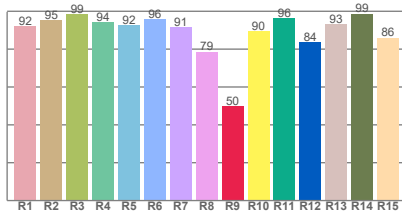
Item number:

PP1953-30-33-SSS-1600mA

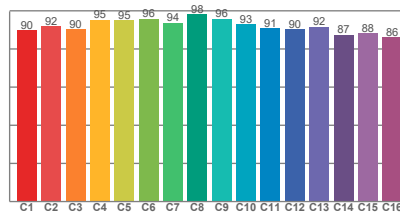
Delivered information for above fixture and LED combination.

Output: 7758 Lumen Peak intensity: 23824 cd Power consumption: 93.6

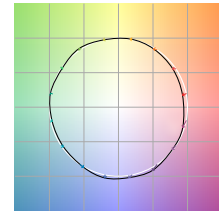
CRI R values



TM30 C Values

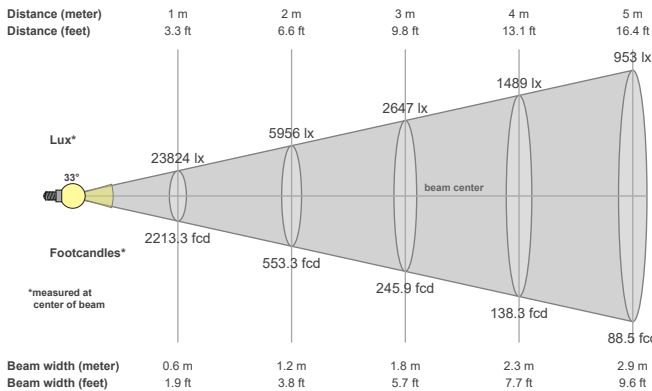


Color vector graphics



Color temperature	Color rendering index	Red component	Color fidelity	Color gamut	Color quality scale	Color coordinate cie 1931	Color coordinate cie 1931	Color coordinate	Color coordinate	Color deviation from black body
CCT	CRI	CRI R9	TM30 Rf	TM30 Rg	CQS	x	y	u	v	Δuv
3000 K	92.3	50.0	92.2	99.2	91.0	0.437	0.404	0.248	0.348	0.0014

Beam details



Beam angles

Beam angle 50%	Field angle 10%	Cutoff angle 2,5%
32.6°	53.1°	64.7°

Beam intensities

Peak intensity	Int. ratio in 120° cone	Int. ratio in 90° cone
23824 cd	98.6%	96.8%

Beam intensities from 1-20m

1m	2m	3m	4m	5m	6m	7m	8m	9m	10m	11m	12m	13m	14m	15m	16m	17m	18m	19m	20m
3.3ft	6.6ft	9.8ft	13.1ft	16.4ft	19.7ft	23ft	26.2ft	29.5ft	32.8ft	36.1ft	39.4ft	42.7ft	45.9ft	49.2ft	52.5ft	55.8ft	59.1ft	62.3ft	65.6ft
23824lx	5956lx	2647lx	1489lx	953lx	662lx	486lx	372lx	294lx	238lx	197lx	165lx	141lx	122lx	106lx	93lx	82lx	74lx	66lx	60lx
2213.3fcd	553.3fcd	245.9fcd	138.3fcd	88.5fcd	61.5fcd	45.2fcd	34.6fcd	27.3fcd	22.1fcd	18.3fcd	15.4fcd	13.1fcd	11.3fcd	9.8fcd	8.6fcd	7.7fcd	6.8fcd	6.1fcd	5.5fcd

The above information is for 3000K colour temperature.

Light efficiency:

76 Lumen/Watt

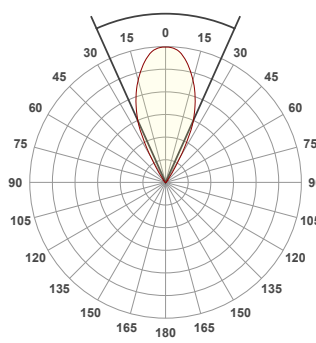
Light quality:

CRI: 92.8

Color temperature:

3000 K

48.3°



Product name:

ProSpex Performance195 Accent

LED, 3000K, 52°, 1600mA

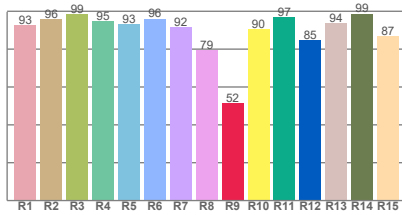
Item number:

PP1953-30-52-SSS-1600mA

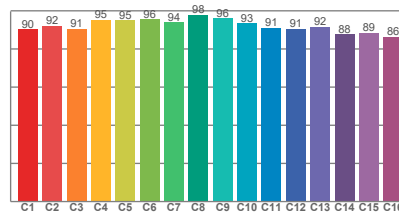
Delivered information for above fixture and LED combination.

Output: 7138 Lumen Peak intensity: 11866 cd Power consumption: 93.6

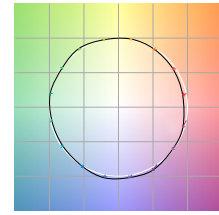
CRI R values



TM30 C Values

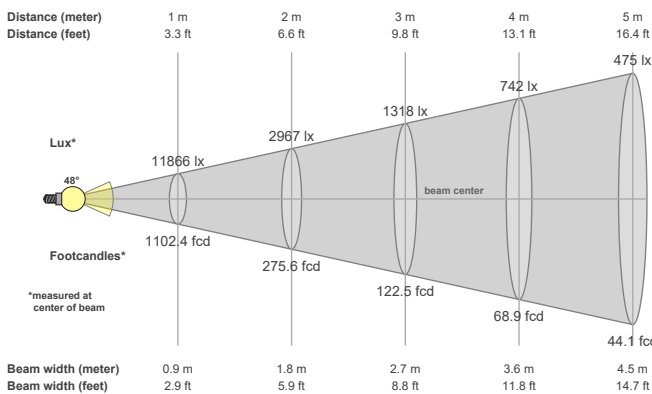


Color vector graphics



Color temperature	Color rendering index	Red component	Color fidelity	Color gamut	Color quality scale	Color coordinate cie 1931	Color coordinate cie 1931	Color coordinate	Color coordinate	Color deviation from black body
CCT	CRI	CRI R9	TM30 Rf	TM30 Rg	CQS	x	y	u	v	Δuv
3000 K	92.8	51.7	92.5	99.4	91.2	0.437	0.404	0.249	0.348	0.0011

Beam details



Beam angles

Beam angle 50%	Field angle 10%	Cutoff angle 2,5%
48.3°	67.9°	80°

Beam intensities

Peak intensity	Int. ratio in 120° cone	Int. ratio in 90° cone
11866 cd	98.0%	95.3%

Beam intensities from 1-20m

1m	2m	3m	4m	5m	6m	7m	8m	9m	10m	11m	12m	13m	14m	15m	16m	17m	18m	19m	20m
3.3ft	6.6ft	9.8ft	13.1ft	16.4ft	19.7ft	23ft	26.2ft	29.5ft	32.8ft	36.1ft	39.4ft	42.7ft	45.9ft	49.2ft	52.5ft	55.8ft	59.1ft	62.3ft	65.6ft
11866lx	2967lx	1318lx	742lx	475lx	330lx	242lx	185lx	146lx	119lx	98lx	82lx	70lx	61lx	53lx	46lx	41lx	37lx	33lx	30lx
1102.4fcd	275.6fcd	122.5fcd	68.9fcd	44.1fcd	30.6fcd	22.5fcd	17.2fcd	13.6fcd	11fcd	9.1fcd	7.7fcd	6.5fcd	5.6fcd	4.9fcd	4.3fcd	3.8fcd	3.4fcd	3.1fcd	2.8fcd

The above information is for 3000K colour temperature.