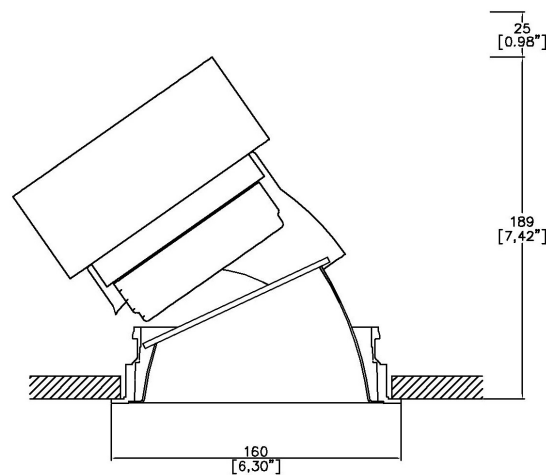


ProSpex Performance160 Accent



160mm (6.30") overall diameter dark light accent downlight fixture. Up to 35° tilt. Supplied as standard with semi-specular silver reflector and white die-cast trim. Pattress provided for soft tile or metal ceiling installation. Suitable for installation into plasterboard ceiling upto 25mm thick. Required depth = height + 25mm[^]



PIP603
Cut out Ø150mm
Weight: 1.61kg

LED Source	COB	COB	COB	COB
CCT	3000K	3000K	3000K	3000K
Drive Current	1800mA	1800mA	1800mA	1800mA
Power inc Driver	74.7W	74.7W	74.7W	74.7W
Beam Angle	17°	25°	34°	55°
Delivered Lumens	5463	5639	5243	4795
Delivered Intensisty cd	45360	28199	16104	7117
Efficacy lm/w	73	75	70	64
Forward Volt	35.3V	35.3V	35.3V	35.3V
CRI	≥90 CRI	≥90 CRI	≥90 CRI	≥90 CRI

Project Ref: _____

Location Ref: _____

Fixture Order Code: - - - - -

Fixture
PP1603

Performance160 Accent

CCT

- 27 2700K
- 30 3000K
- 35 3500K
- 40 4000K

Beam

- 17 17°
- 25 25°
- 34 34°
- 55 55°

Trim Finish

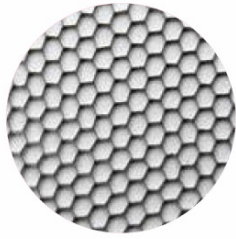
- WH White
- RAL Custom RAL Colour*

Reflector Finish

- SSS Semi Specular Silver

Protocol

- S Non-Dim
- A Analogue (0-10V)
- D DALI
- B Bluetooth**



Honeycomb Louvre



Diffusing Lens

Accessories Order Code:

Louvre/Lens
163-ACC
1603-DF

Honeycomb Louvre
Diffusing Lens

Technical Details

*Custom RAL code must be specified. Custom RAL colours can increase prices and lead times

Dimming. Whilst Lucent can offer the majority of its luminaires with various dimming options, it remains the responsibility of the specifier/installer to check and ensure compatibility of any control equipment used. Additional cabling may be required depending on the dimming protocol specified.

**Bluetooth (wireless) is the communication method. The exact dimming protocol must be confirmed to allow the selection of suitable drivers or bluetooth devices.

^ Depth indicated is the minimum recess depth for the luminaire with a remote mounted LED driver. Installing a driver through either the luminaire cut-out or installation kit may require additional recess depth, please refer to the relevant luminaire installation instructions for further details. Data correct at time of publishing

First Fix Requirement. Luminaire comprised of fixture body with ceiling trim and installation kit, which is to be fitted into the ceiling once finished. Ensure correct alignment of the installation kit before final assembly (see luminaire installation instructions for details)

IP Rating. Tested from underside of the ceiling

It is the policy of Lucent Lighting to continually review and improve its products and therefore reserve the right to change any details of product or withdraw specifications without prior notice.

Luminaires designed to comply with EN60598 and all other standards.

This specification sheet supersedes all previous versions.

All intellectual property rights pertaining to the product described above and to this document are owned by or licensed to Lucent Lighting Ltd.

We reserve the right to take whatever action is necessary to protect those intellectual property rights.

Please notify Lucent Lighting Ltd of any inaccuracies immediately. E&OE

Light efficiency:

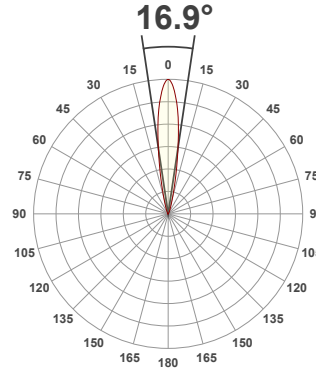
73 Lumen/Watt

Light quality:

CRI: 91.1

Color temperature:

3000 K



Product name:

ProSpex Performance160 Accent

LED, 3000K, 17°, 1800mA

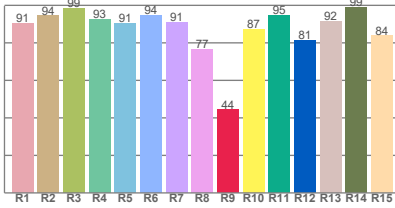
Item number:

PP1603-30-17-SSS-1800mA

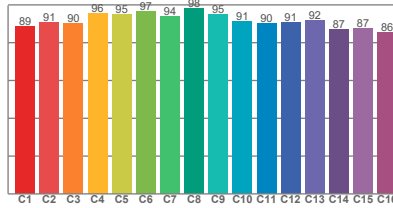
Delivered information for above fixture and LED combination.

Output: 5463 Lumen Peak intensity: 45360 cd Power consumption: 74.7

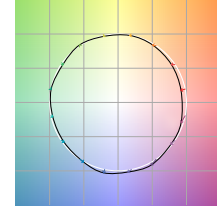
CRI R values



TM30 C Values

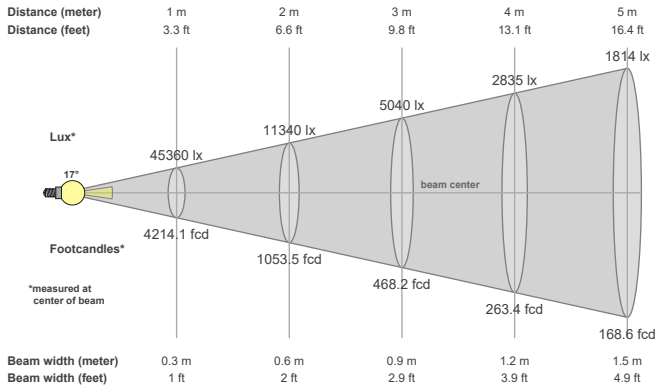


Color vector graphics



Color temperature	Color rendering index	Red component	Color fidelity	Color gamut	Color quality scale	Color coordinate cie 1931	Color coordinate cie 1931	Color coordinate	Color coordinate	Color deviation from black body
CCT	CRI	CRI R9	TM30 Rf	TM30 Rg	CQS	x	y	u	v	Δuv
3000 K	91.1	44.3	91.9	98.0	90.3	0.437	0.404	0.247	0.349	0.0028

Beam details



Beam angles

Beam angle 50%	Field angle 10%	Cutoff angle 2,5%
16.9°	32.6°	50.5°

Beam intensities

Peak intensity	Int. ratio in 120° cone	Int. ratio in 90° cone
45360 cd	98.8%	98.0%

Beam intensities from 1-20m

1m	2m	3m	4m	5m	6m	7m	8m	9m	10m	11m	12m	13m	14m	15m	16m	17m	18m	19m	20m
3.3ft	6.6ft	9.8ft	13.1ft	16.4ft	19.7ft	23ft	26.2ft	29.5ft	32.8ft	36.1ft	39.4ft	42.7ft	45.9ft	49.2ft	52.5ft	55.8ft	59.1ft	62.3ft	65.6ft
45360lx	11340lx	5040lx	2835lx	1814lx	1260lx	926lx	709lx	560lx	454lx	375lx	315lx	268lx	231lx	202lx	177lx	157lx	140lx	126lx	113lx
4214.1fcd	1053.5fcd	468.2fcd	263.4fcd	168.6fcd	117.1fcd	86fcd	65.8fcd	52fcd	42.1fcd	34.8fcd	29.3fcd	24.9fcd	21.5fcd	18.7fcd	16.5fcd	14.6fcd	13fcd	11.7fcd	10.5fcd

The above information is for 3000K colour temperature.

Light efficiency:

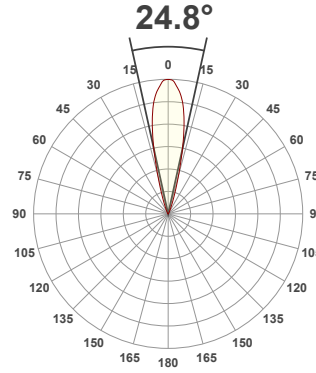
75 Lumen/Watt

Light quality:

CRI: 90.6

Color temperature:

3000 K



Product name:

ProSpex Performance160 Accent

LED, 3000K, 25°, 1800mA

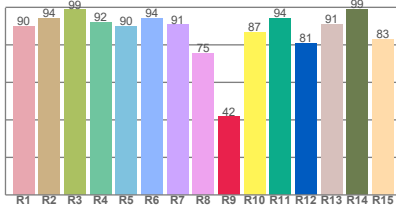
Item number:

PP1603-30-25-SSS-1800mA

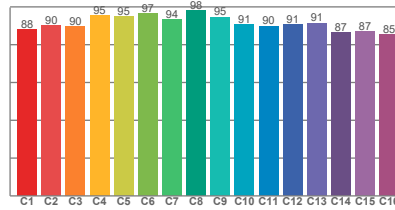
Delivered information for above fixture and LED combination.

Output: 5639 Lumen Peak intensity: 28199 cd Power consumption: 74.7

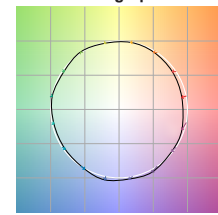
CRI R values



TM30 C Values

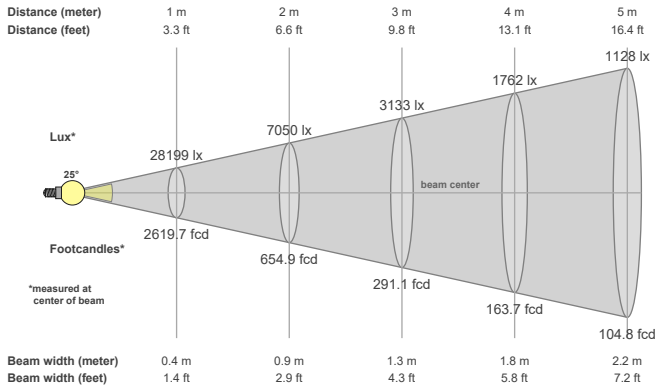


Color vector graphics



Color temperature	Color rendering index	Red component	Color fidelity	Color gamut	Color quality scale	Color coordinate cie 1931	Color coordinate cie 1931	Color coordinate	Color coordinate	Color deviation from black body
CCT	CRI	CRI R9	TM30 Rf	TM30 Rg	CQS	x	y	u	v	Δuv
3000 K	90.6	41.6	91.6	97.8	89.9	0.437	0.404	0.247	0.349	0.0029

Beam details



Beam angles

Beam angle 50%	Field angle 10%	Cutoff angle 2,5%
24.8°	40.2°	55.5°

Beam intensities

Peak intensity	Int. ratio in 120° cone	Int. ratio in 90° cone
28199 cd	97.7%	96.8%

Beam intensities from 1-20m

1m	2m	3m	4m	5m	6m	7m	8m	9m	10m	11m	12m	13m	14m	15m	16m	17m	18m	19m	20m
3.3ft	6.6ft	9.8ft	13.1ft	16.4ft	19.7ft	23ft	26.2ft	29.5ft	32.8ft	36.1ft	39.4ft	42.7ft	45.9ft	49.2ft	52.5ft	55.8ft	59.1ft	62.3ft	65.6ft
28199lx	7050lx	3133lx	1762lx	1128lx	783lx	575lx	441lx	348lx	282lx	233lx	196lx	167lx	144lx	125lx	110lx	98lx	87lx	78lx	70lx
2619.7fcd	654.9fcd	291.1fcd	163.7fcd	104.8fcd	72.8fcd	53.5fcd	40.9fcd	32.3fcd	26.2fcd	21.7fcd	18.2fcd	15.5fcd	13.4fcd	11.6fcd	10.2fcd	9.1fcd	8.1fcd	7.3fcd	6.5fcd

The above information is for 3000K colour temperature.

Light efficiency:

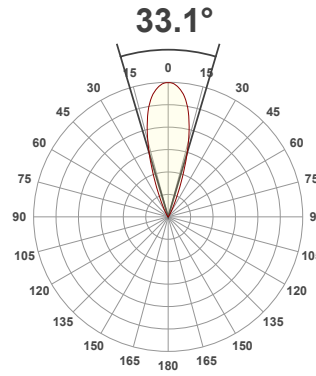
70 Lumen/Watt

Light quality:

CRI: 90.7

Color temperature:

3000 K



Product name:

ProSpex Performance160 Accent

LED, 3000K, 34°, 1800mA

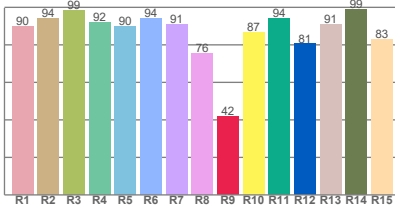
Item number:

PP1603-30-34-SSS-1800mA

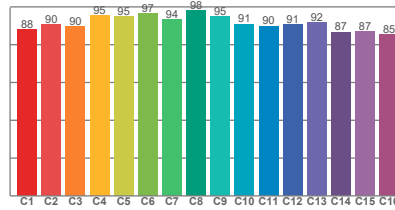
Delivered information for above fixture and LED combination.

Output: 5243 Lumen Peak intensity: 16104 cd Power consumption: 74.7

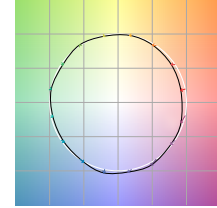
CRI R values



TM30 C Values

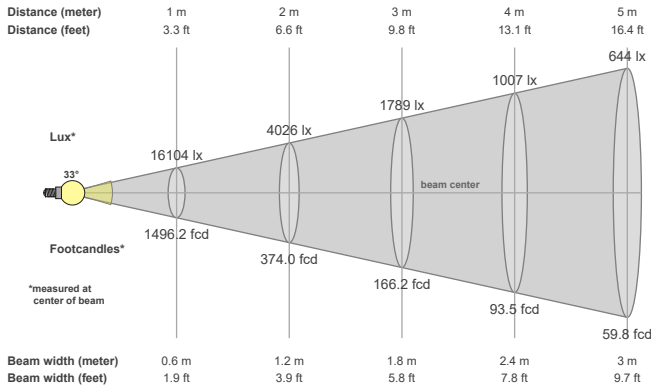


Color vector graphics



Color temperature	Color rendering index	Red component	Color fidelity	Color gamut	Color quality scale	Color coordinate cie 1931	Color coordinate cie 1931	Color coordinate	Color coordinate	Color deviation from black body
CCT	CRI	CRI R9	TM30 Rf	TM30 Rg	CQS	x	y	u	v	Δuv
3000 K	90.7	42.1	91.6	97.8	89.9	0.437	0.404	0.247	0.349	0.0030

Beam details



Beam angels

Beam angle 50%	Field angle 10%	Cutoff angle 2,5%
33.1°	51.3°	66.3°

Beam intensities

Peak intensity	Int. ratio in 120° cone	Int. ratio in 90° cone
16104 cd	98.5%	97.4%

Beam intensities from 1-20m

1m	2m	3m	4m	5m	6m	7m	8m	9m	10m	11m	12m	13m	14m	15m	16m	17m	18m	19m	20m
3.3ft	6.6ft	9.8ft	13.1ft	16.4ft	19.7ft	23ft	26.2ft	29.5ft	32.8ft	36.1ft	39.4ft	42.7ft	45.9ft	49.2ft	52.5ft	55.8ft	59.1ft	62.3ft	65.6ft
16104lx	4026lx	1789lx	1007lx	644lx	447lx	329lx	252lx	199lx	161lx	133lx	112lx	95lx	82lx	72lx	63lx	56lx	50lx	45lx	40lx
1496.2fcd	374fcd	166.2fcd	93.5fcd	59.8fcd	41.6fcd	30.5fcd	23.4fcd	18.5fcd	15fcd	12.4fcd	10.4fcd	8.9fcd	7.6fcd	6.6fcd	5.8fcd	5.2fcd	4.6fcd	4.1fcd	3.7fcd

The above information is for 3000K colour temperature.

Light efficiency:

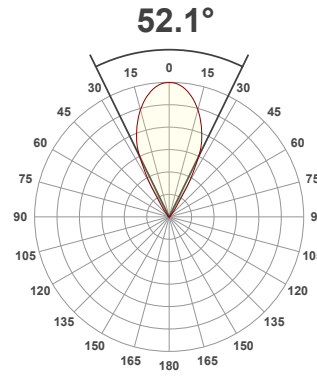
64 Lumen/Watt

Light quality:

CRI: 90.8

Color temperature:

3000 K



Product name:

ProSpex Performance160 Accent

LED, 3000K, 55°, 1800mA

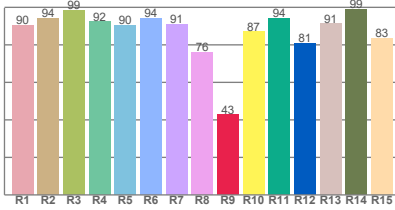
Item number:

PP1603-30-55-SSS-1800mA

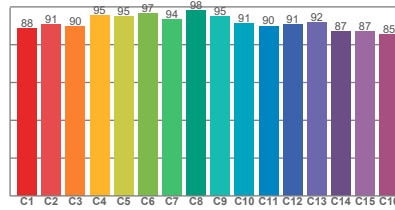
Delivered information for above fixture and LED combination.

Output: 4795 Lumen Peak intensity: 7117 cd Power consumption: 74.7

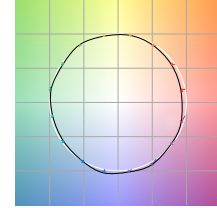
CRI R values



TM30 C Values

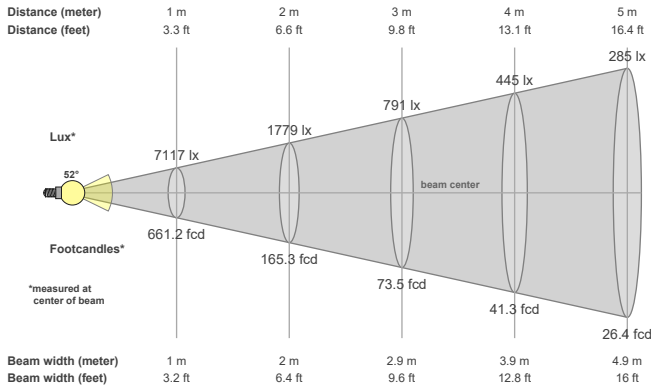


Color vector graphics



Color temperature	Color rendering index	Red component	Color fidelity	Color gamut	Color quality scale	Color coordinate cie 1931	Color coordinate cie 1931	Color coordinate	Color coordinate	Color deviation from black body
CCT	CRI	CRI R9	TM30 Rf	TM30 Rg	CQS	x	y	u	v	Δuv
3000 K	90.8	42.7	91.7	98.0	90.0	0.437	0.404	0.246	0.349	0.0028

Beam details



Beam angels

Beam angle 50%	Field angle 10%	Cutoff angle 2,5%
52.1°	69.8°	84.6°

Beam intensities

Peak intensity	Int. ratio in 120° cone	Int. ratio in 90° cone
7117 cd	98.0%	95.5%

Beam intensities from 1-20m

1m	2m	3m	4m	5m	6m	7m	8m	9m	10m	11m	12m	13m	14m	15m	16m	17m	18m	19m	20m
3.3ft	6.6ft	9.8ft	13.1ft	16.4ft	19.7ft	23ft	26.2ft	29.5ft	32.8ft	36.1ft	39.4ft	42.7ft	45.9ft	49.2ft	52.5ft	55.8ft	59.1ft	62.3ft	65.6ft
7117lx	1779lx	791lx	445lx	285lx	198lx	145lx	111lx	88lx	71lx	59lx	49lx	42lx	36lx	32lx	28lx	25lx	22lx	20lx	18lx
661.2fcd	165.3fcd	73.5fcd	41.3fcd	26.4fcd	18.4fcd	13.5fcd	10.3fcd	8.2fcd	6.6fcd	5.5fcd	4.6fcd	3.9fcd	3.4fcd	2.9fcd	2.6fcd	2.3fcd	2fcd	1.8fcd	1.7fcd

The above information is for 3000K colour temperature.