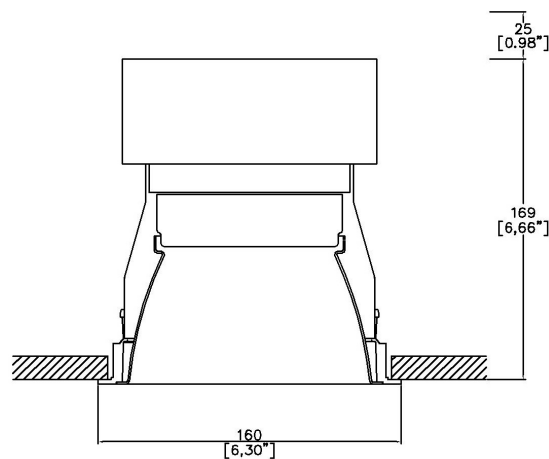


ProSpex Performance160 Fixed



160mm (6.30") overall diameter dark light fixed downlight fixture. Supplied as standard with semi-specular silver reflector and white die-cast trim. Pattress provided for soft tile or metal ceiling installation. Suitable for installation into plasterboard ceiling upto 25mm thick. Required depth = height + 25mm[^]



PP1600
Cut out Ø150mm
Weight: 1.59kg

LED Source	COB	COB	COB	COB
CCT	3000K	3000K	3000K	3000K
Drive Current	1800mA	1800mA	1800mA	1800mA
Power inc Driver	74.7W	74.7W	74.7W	74.7W
Beam Angle	17°	25°	34°	55°
Delivered Lumens	5722	5908	5681	5559
Delivered Intensisty cd	45389	29089	15849	7023
Efficacy lm/w	77	79	76	74
Forward Volt	35.3V	35.3V	35.3V	35.3V
CRI	≥90 CRI	≥90 CRI	≥90 CRI	≥90 CRI

Project Ref: _____

Location Ref: _____

Fixture Order Code: - - - - -

Fixture
PP1600

Performance160 Fixed

CCT

- 27 2700K
- 30 3000K
- 35 3500K
- 40 4000K

Beam

- 17 17°
- 25 25°
- 34 34°
- 55 55°

Trim Finish

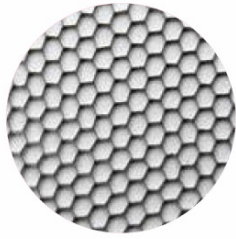
- WH White
- RAL Custom RAL Colour*

Reflector Finish

- SSS Semi Specular Silver

Protocol

- S Non-Dim
- A Analogue (0-10V)
- D DALI
- B Bluetooth**



Honeycomb Louvre



Diffusing Lens

Accessories Order Code:

Louvre/Lens
160-ACC-002
1600-DF

Honeycomb Louvre
Diffusing Lens

Technical Details

*Custom RAL code must be specified. Custom RAL colours can increase prices and lead times

Dimming. Whilst Lucent can offer the majority of its luminaires with various dimming options, it remains the responsibility of the specifier/installer to check and ensure compatibility of any control equipment used. Additional cabling may be required depending on the dimming protocol specified.

**Bluetooth (wireless) is the communication method. The exact dimming protocol must be confirmed to allow the selection of suitable drivers or bluetooth devices.

^ Depth indicated is the minimum recess depth for the luminaire with a remote mounted LED driver. Installing a driver through either the luminaire cut-out or installation kit may require additional recess depth, please refer to the relevant luminaire installation instructions for further details. Data correct at time of publishing

First Fix Requirement. Luminaire comprised of fixture body with ceiling trim and installation kit, which is to be fitted into the ceiling once finished. Ensure correct alignment of the installation kit before final assembly (see luminaire installation instructions for details)

IP Rating. Tested from underside of the ceiling

It is the policy of Lucent Lighting to continually review and improve its products and therefore reserve the right to change any details of product or withdraw specifications without prior notice.

Luminaires designed to comply with EN60598 and all other standards.

This specification sheet supersedes all previous versions.

All intellectual property rights pertaining to the product described above and to this document are owned by or licensed to Lucent Lighting Ltd.

We reserve the right to take whatever action is necessary to protect those intellectual property rights.

Please notify Lucent Lighting Ltd of any inaccuracies immediately. E&OE

Light efficiency:

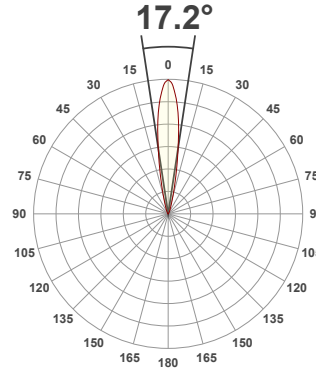
77 Lumen/Watt

Light quality:

CRI: 91.7

Color temperature:

3000 K



Product name:

ProSpex Performance160 Fixed LED, 3000K, 17°, 1800mA

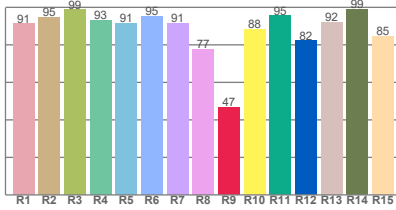
Item number:

PP1600-30-17-SSS-1800mA

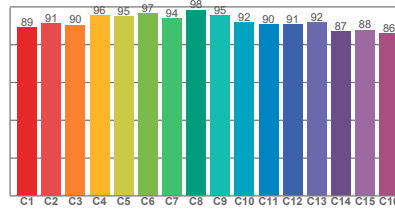
Delivered information for above fixture and LED combination.

Output: 5722 Lumen Peak intensity: 45389 cd Power consumption: 74.7

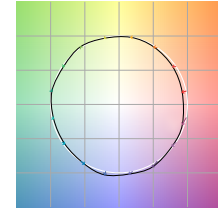
CRI R values



TM30 C Values

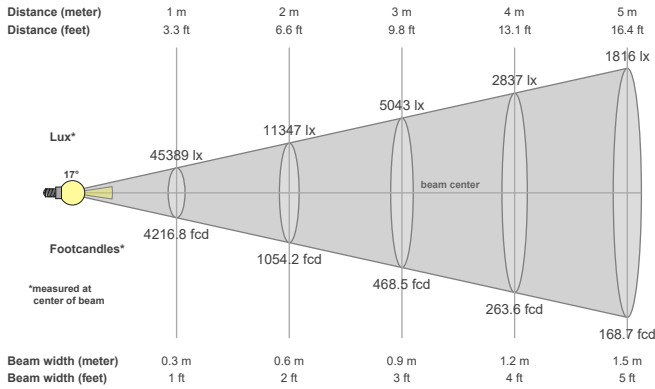


Color vector graphics



Color temperature	Color rendering index	Red component	Color fidelity	Color gamut	Color quality scale	Color coordinate cie 1931	Color coordinate cie 1931	Color coordinate	Color coordinate	Color deviation from black body
CCT	CRI	CRI R9	TM30 Rf	TM30 Rg	CQS	x	y	u	v	Δuv
3000 K	91.7	46.7	92.1	98.4	90.7	0.437	0.404	0.247	0.349	0.0024

Beam details



Beam angels

Beam angle 50%	Field angle 10%	Cutoff angle 2,5%
17.2°	33.1°	53.5°

Beam intensities

Peak intensity	Int. ratio in 120° cone	Int. ratio in 90° cone
45389 cd	99.7%	99.2%

Beam intensities from 1-20m

1m	2m	3m	4m	5m	6m	7m	8m	9m	10m	11m	12m	13m	14m	15m	16m	17m	18m	19m	20m
3.3ft	6.6ft	9.8ft	13.1ft	16.4ft	19.7ft	23ft	26.2ft	29.5ft	32.8ft	36.1ft	39.4ft	42.7ft	45.9ft	49.2ft	52.5ft	55.8ft	59.1ft	62.3ft	65.6ft
45389lx	11347lx	5043lx	2837lx	1816lx	1261lx	926lx	709lx	560lx	454lx	375lx	315lx	269lx	232lx	202lx	177lx	157lx	140lx	126lx	113lx
4216.8fcd	1054.2fcd	468.5fcd	263.6fcd	168.7fcd	117.1fcd	86.1fcd	65.9fcd	52.1fcd	42.2fcd	34.8fcd	29.3fcd	25fcd	21.5fcd	18.7fcd	16.5fcd	14.6fcd	13fcd	11.7fcd	10.5fcd

The above information is for 3000K colour temperature.

Light efficiency:

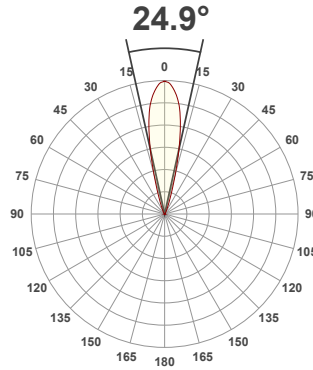
79 Lumen/Watt

Light quality:

CRI: 91.1

Color temperature:

3000 K



Product name:

ProSpex Performance160 Fixed LED, 3000K, 25°, 1800mA

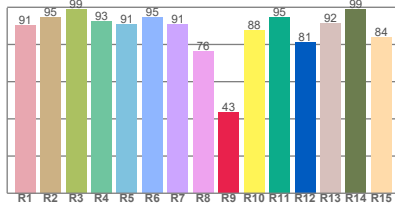
Item number:

PP1600-30-25-SSS-1800mA

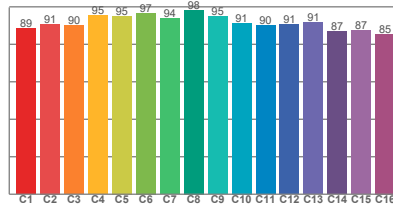
Delivered information for above fixture and LED combination.

Output: 5908 Lumen Peak intensity: 29089 cd Power consumption: 74.7

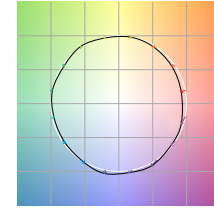
CRI R values



TM30 C Values

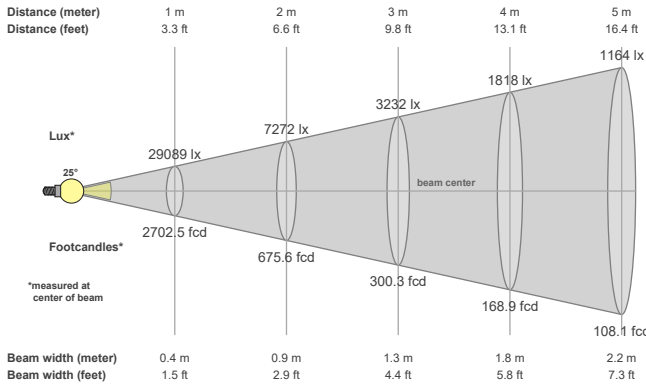


Color vector graphics



Color temperature	Color rendering index	Red component	Color fidelity	Color gamut	Color quality scale	Color coordinate cie 1931	Color coordinate cie 1931	Color coordinate	Color coordinate	Color deviation from black body
CCT	CRI	CRI R9	TM30 Rf	TM30 Rg	CQS	x	y	u	v	Δuv
3000 K	91.1	43.5	91.8	98.1	90.2	0.437	0.404	0.247	0.349	0.0025

Beam details



Beam angles

Beam angle 50%	Field angle 10%	Cutoff angle 2,5%
24.9°	40.6°	58.7°

Beam intensities

Peak intensity	Int. ratio in 120° cone	Int. ratio in 90° cone
29089 cd	99.1%	98.6%

Beam intensities from 1-20m

1m	2m	3m	4m	5m	6m	7m	8m	9m	10m	11m	12m	13m	14m	15m	16m	17m	18m	19m	20m
3.3ft	6.6ft	9.8ft	13.1ft	16.4ft	19.7ft	23ft	26.2ft	29.5ft	32.8ft	36.1ft	39.4ft	42.7ft	45.9ft	49.2ft	52.5ft	55.8ft	59.1ft	62.3ft	65.6ft
29089lx	7272lx	3232lx	1818lx	1164lx	808lx	594lx	455lx	359lx	291lx	240lx	202lx	172lx	148lx	129lx	114lx	101lx	90lx	81lx	73lx
2702.5fcd	675.6fcd	300.3fcd	168.9fcd	108.1fcd	75.1fcd	55.2fcd	42.2fcd	33.4fcd	27fcd	22.3fcd	18.8fcd	16fcd	13.8fcd	12fcd	10.6fcd	9.4fcd	8.3fcd	7.5fcd	6.8fcd

The above information is for 3000K colour temperature.

Light efficiency:

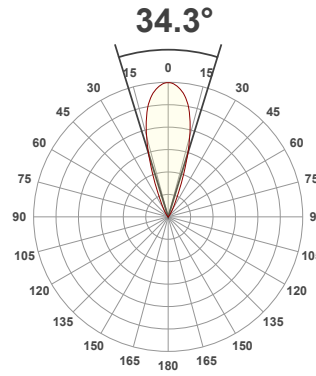
76 Lumen/Watt

Light quality:

CRI: 90.9

Color temperature:

3000 K



Product name:

ProSpex Performance160 Fixed LED, 3000K, 34°, 1800mA

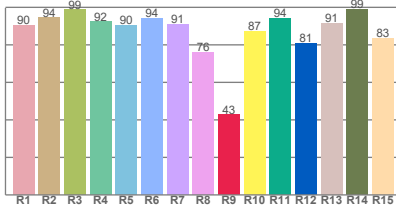
Item number:

P1600-30-34-SSS-1800mA

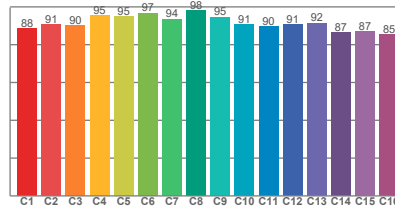
Delivered information for above fixture and LED combination.

Output: 5681 Lumen Peak intensity: 15849 cd Power consumption: 74.7

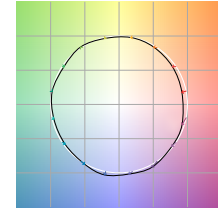
CRI R values



TM30 C Values

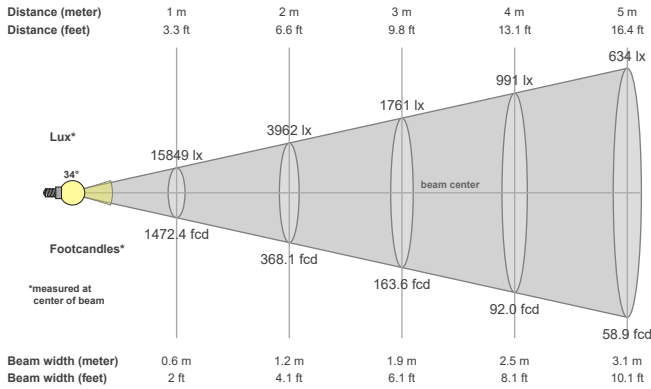


Color vector graphics



Color temperature	Color rendering index	Red component	Color fidelity	Color gamut	Color quality scale	Color coordinate cie 1931	Color coordinate cie 1931	Color coordinate	Color coordinate	Color deviation from black body
CCT	CRI	CRI R9	TM30 Rf	TM30 Rg	CQS	x	y	u	v	Δuv
3000 K	90.9	42.7	91.6	97.9	90.1	0.437	0.404	0.246	0.349	0.0028

Beam details



Beam angles

Beam angle 50%	Field angle 10%	Cutoff angle 2,5%
34.3°	54.8°	74.5°

Beam intensities

Peak intensity	Int. ratio in 120° cone	Int. ratio in 90° cone
15849 cd	99.1%	98.4%

Beam intensities from 1-20m

1m	2m	3m	4m	5m	6m	7m	8m	9m	10m	11m	12m	13m	14m	15m	16m	17m	18m	19m	20m
3.3ft	6.6ft	9.8ft	13.1ft	16.4ft	19.7ft	23ft	26.2ft	29.5ft	32.8ft	36.1ft	39.4ft	42.7ft	45.9ft	49.2ft	52.5ft	55.8ft	59.1ft	62.3ft	65.6ft
15849lx	3962lx	1761lx	991lx	634lx	440lx	323lx	248lx	196lx	158lx	131lx	110lx	94lx	81lx	70lx	62lx	55lx	49lx	44lx	40lx
1472.4fcd	368.1fcd	163.6fcd	92fcd	58.9fcd	40.9fcd	30fcd	23fcd	18.2fcd	14.7fcd	12.2fcd	10.2fcd	8.7fcd	7.5fcd	6.5fcd	5.8fcd	5.1fcd	4.5fcd	4.1fcd	3.7fcd

The above information is for 3000K colour temperature.

Light efficiency:

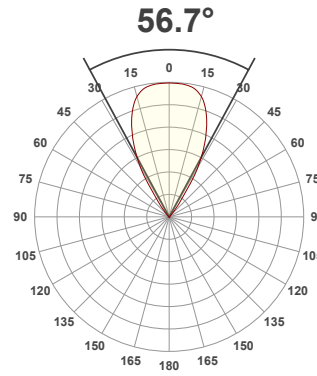
74 Lumen/Watt

Light quality:

CRI: 91.1

Color temperature:

3000 K



Product name:

ProSpex Performance160 Fixed LED, 3000K, 55°, 1800mA

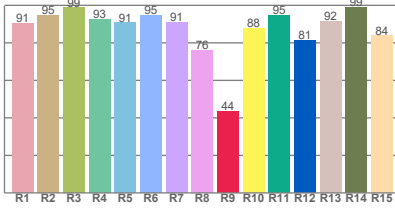
Item number:

PP1600-30-55-SSS-1800mA

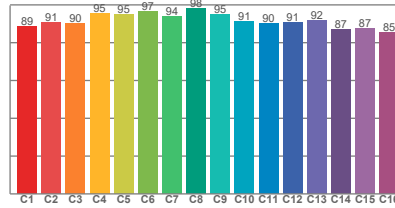
Delivered information for above fixture and LED combination.

Output: 5559 Lumen Peak intensity: 7023 cd Power consumption: 74.7

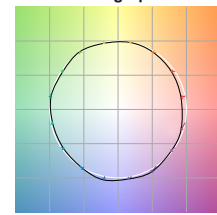
CRI R values



TM30 C Values

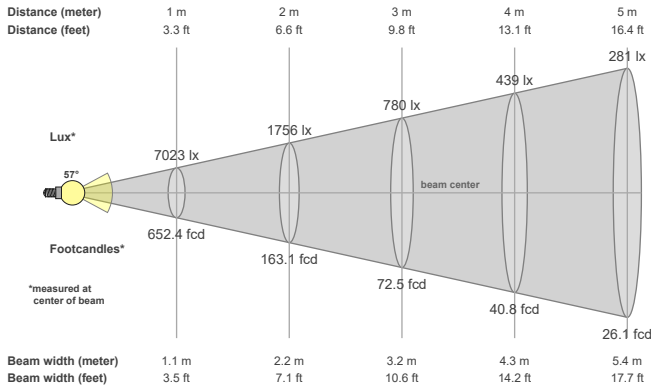


Color vector graphics



Color temperature	Color rendering index	Red component	Color fidelity	Color gamut	Color quality scale	Color coordinate cie 1931	Color coordinate cie 1931	Color coordinate	Color coordinate	Color deviation from black body
CCT	CRI	CRI R9	TM30 Rf	TM30 Rg	CQS	x	y	u	v	Δuv
3000 K	91.1	43.6	91.7	98.1	90.2	0.437	0.404	0.246	0.349	0.0026

Beam details



Beam angles

Beam angle 50%	Field angle 10%	Cutoff angle 2,5%
56.7°	75.8°	88.5°

Beam intensities

Peak intensity	Int. ratio in 120° cone	Int. ratio in 90° cone
7023 cd	99.1%	98.0%

Beam intensities from 1-20m

1m	2m	3m	4m	5m	6m	7m	8m	9m	10m	11m	12m	13m	14m	15m	16m	17m	18m	19m	20m
3.3ft	6.6ft	9.8ft	13.1ft	16.4ft	19.7ft	23ft	26.2ft	29.5ft	32.8ft	36.1ft	39.4ft	42.7ft	45.9ft	49.2ft	52.5ft	55.8ft	59.1ft	62.3ft	65.6ft
7023lx	1756lx	780lx	439lx	281lx	195lx	143lx	110lx	87lx	70lx	58lx	49lx	42lx	36lx	31lx	27lx	24lx	22lx	19lx	18lx
652.4fcd	163.1fcd	72.5fcd	40.8fcd	26.1fcd	18.1fcd	13.3fcd	10.2fcd	8.1fcd	6.5fcd	5.4fcd	4.5fcd	3.9fcd	3.3fcd	2.9fcd	2.5fcd	2.3fcd	2fcd	1.8fcd	1.6fcd

The above information is for 3000K colour temperature.