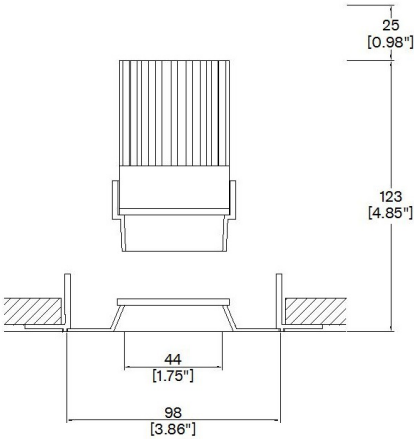


# ProSpex Plus Bevel Fixed Trimless Triple



98mm (3.86") overall trimless diameter. Supplied with plaster-in kit for flush appearance.  
Family of matching products also available. Required depth height + 25mm<sup>^</sup>



A090+13-LED-TL  
Cut-out 4" (102mm) Ø

## Fixture Output Data

### LED51/2

LED Source	LED51/2	LED51/2	LED51/2	LED51/2
CCT	3000K	3000K	3000K	3000K
Drive Current	350mA	350mA	350mA	350mA
Power inc Driver	13.6W	13.6W	13.6W	13.6W
Beam Angle	12°	24°	38°	60°
Delivered Lumens	745	794	897	773
Delivered Intensisty cd	10562	4368	2651	1182
Efficacy lm/w	55	58	66	57
Forward Volt	33V	33V	33V	33V
CRI	≥90 CRI	≥90 CRI	≥90 CRI	≥90 CRI

### LED51/U

LED Source	LED51/2	LED51/2	LED51/2	LED51/2
CCT	3000K	3000K	3000K	3000K
Drive Current	350mA	350mA	350mA	350mA
Power inc Driver	13.6W	13.6W	13.6W	13.6W
Beam Angle	12°	24°	38°	60°
Delivered Lumens	666	654	786	658
Delivered Intensisty cd	9565	3983	1917	1015
Efficacy lm/w	49	48	58	48
Forward Volt	33V	33V	33V	33V
CRI	≥98 CRI	≥98 CRI	≥98 CRI	≥98 CRI

### LED51SS

LED Source	LED51SS
CCT	3000K
Drive Current	500mA
Power inc Driver	6.75W
Beam Angle	7°
Delivered Lumens	406
Delivered Intensisty cd	15804
Efficacy lm/w	60
Forward Volt	11.5V
CRI	≥90 CRI

*Above data is for singular fixture*

## LED51WD

LED Source	LED51WD	LED51WD
CCT	3000K	3000K
Drive Current	500mA	500mA
Power inc Driver	17.1W	17.1W
Beam Angle	28°	39°
Delivered Lumens	524	595
Delivered Intensisty cd	2079	1348
Efficacy lm/w	31	35
Forward Volt	29.1V	29.1V
CRI	≥95 CRI	≥95 CRI

Test results at full output

---

## LED51TW

LED Source	LED51TW	LED51TW
CCT range 5000K-2000K	@ 3000K	@ 3000K
Drive Current (max per channel)	700mA	700mA
Power inc Driver Max	15.1W	15.1W
Beam Angle	25°	35°
Delivered Lumens	486	555
Delivered Intensisty cd	2183	1340
Efficacy lm/w	32	37
Forward Volt (max per channel)	18.4V	18.4V
CRI	≥95 CRI	≥95 CRI

*Above data is for singular fixture*

Project Ref: \_\_\_\_\_

Location Ref: \_\_\_\_\_

Fixture Order Code:  -  -  -

**Fixture**  
A090+13-LED-TL Plus Bevel Fixed Trimless with LED51

**Finish**  
WH White  
BK Black  
RAL Custom RAL Colour\*

**Location**  
DP Damp  
WT Wet  
XX Standard Location

**Ceiling Thickness**  
12 1/2"  
58 5/8"  
75 3/4"  
C Custom



.....

Project Ref: \_\_\_\_\_

Location Ref: \_\_\_\_\_

**LED Order Code:**

	-		-	
--	---	--	---	--

- LED**
- LED51/2      LED50 ONE GEN2 (90 CRI)
  - LED51/U      LED50 ONE ULTRA (98 CRI)
  - LED51SS      LED50 ONE SuperSpot (90 CRI)
  - LED51WD      LED50 ONE Ambiance WarmDim (95 CRI)
  - LED51TW      LED50 ONE Tuneable White (95 CRI)

- CCT**
- LED51/2 CCT**
- 27              2700K
  - 30              3000K
  - 35              3500K
  - 40              4000K

- LED51/U CCT**
- 27              2700K
  - 30              3000K
  - 35              3500K

- LED51SS CCT**
- 27              2700K
  - 30              3000K
  - 35              3500K
  - 40              4000K

- LED51WD CCT**
- 2720            2700K - 2000K
  - 3020            3000K - 2000K

- LED51TW CCT**
- 5020            5000K - 2000K

- Beam**
- LED51/2 Beam**
- 12              12°
  - 24              24°
  - 38              38°
  - 60              60°

- LED51/U Beam**
- 12              12°
  - 24              24°
  - 38              38°
  - 60              60°

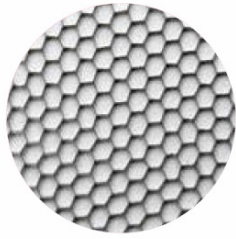
- LED51SS Beam**
- 7                7°

- LED51WD Beam**
- 28              28°
  - 39              39°

- LED51TW Beam**
- 25              25°
  - 35              35°

*CCT - Please choose CCT depending on LED50 ONE Module required*

*Beam - Please choose Beam Angle depending on LED50 ONE Module required*



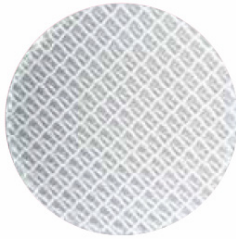
Honeycomb Louvre (LL45)



Solite/Diffusing Lens (LLDF)



Frosted Lens (LLFR)



Heavy Spread Lens (LLHS)



Linear Spread Lens (LLLS)



Warm Tone (LLCC)

Accessories Order Code:

Louvre/Lens

- LL45 Honeycomb Louvre
- LLCC Warm Tone Lens
- LLUV UV Lens
- LLDF Solite/Diffusing Lens
- LLFR Frosted Lens
- LLLS Linear Spread Lens
- LLHS Heavy Spread Lens

Technical Details

\*Custom RAL code must be specified. Custom RAL colours can increase prices and lead times

Dimming. Whilst Lucent can offer the majority of its luminaires with various dimming options, it remains the responsibility of the specifier/installer to check and ensure compatibility of any control equipment used. Additional cabling may be required depending on the dimming protocol specified.

\*\*Bluetooth (wireless) is the communication method. The exact dimming protocol must be confirmed to allow the selection of suitable drivers or bluetooth devices.

^ Depth indicated is the minimum recess depth for the luminaire with a remote mounted LED driver. Installing a driver through either the luminaire cut-out or installation kit may require additional recess depth, please refer to the relevant luminaire installation instructions for further details. Data correct at time of publishing

First Fix Requirement. Luminaire comprised of fixture body with ceiling trim and installation kit, which is to be fitted into the ceiling once finished. Ensure correct alignment of the installation kit before final assembly (see luminaire installation instructions for details)

Location. Tested from underside of the ceiling

It is the policy of Lucent Lighting to continually review and improve its products and therefore reserve the right to change any details of product or withdraw specifications without prior notice.

This specification sheet supersedes all previous versions.

All intellectual property rights pertaining to the product described above and to this document are owned by or licensed to Lucent Lighting Ltd.

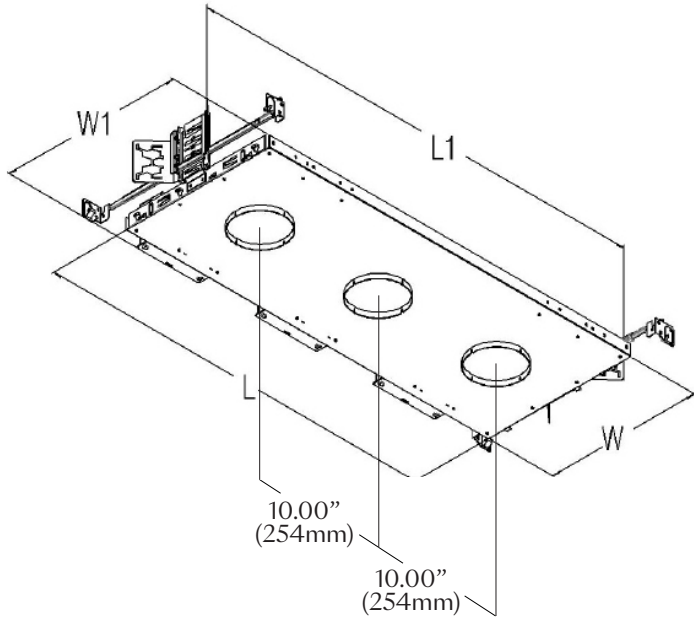
We reserve the right to take whatever action is necessary to protect those intellectual property rights.

Please notify Lucent Lighting Ltd of any inaccuracies immediately. E&OE



Project Ref: \_\_\_\_\_

Location Ref: \_\_\_\_\_



O.C."	L	LI	W	WI
10.00" (254mm)	30.60" (778mm)	35.15" (893mm)	12.00" (305mm)	14.45" (369mm)

LMT-M3-NIC

Tray Order Code:

- 
  - 
  - 
  - 
  -

**Housing Type**

LMT-M3-NIC Lucent Triple Mounting Tray  
Non-Insulated Ceiling

**Mounting Hardware**

09 9" to 15.25"  
14 14" to 24"  
36 28" to 36"  
BB Butterfly Bracket  
CB Caterpillar Bracket

**LED**  
LED51

LED51 Range

**Supply Voltage**

120 120V  
277 277V

**Protocol**

S Non-Dimmable  
P TRIAC/Phase (120V ONLY)  
LP Lutron Forward Phase 2-Wire (120V ONLY)  
ESS EcoSystem 5-Series 5%  
LHE EcoSystem Hi-Lume 1% Fade to Black  
LAE Lutron 3-Wire Hi-Lume 1%  
A Analog (0-10V)  
ED EldoLED DALI (Not Available for LED51WD)  
EA EldoLED Analog (0-10V) (Not Available for LED51WD)  
B Bluetooth

**BELOW PROTOCOL FOR LED51TW**

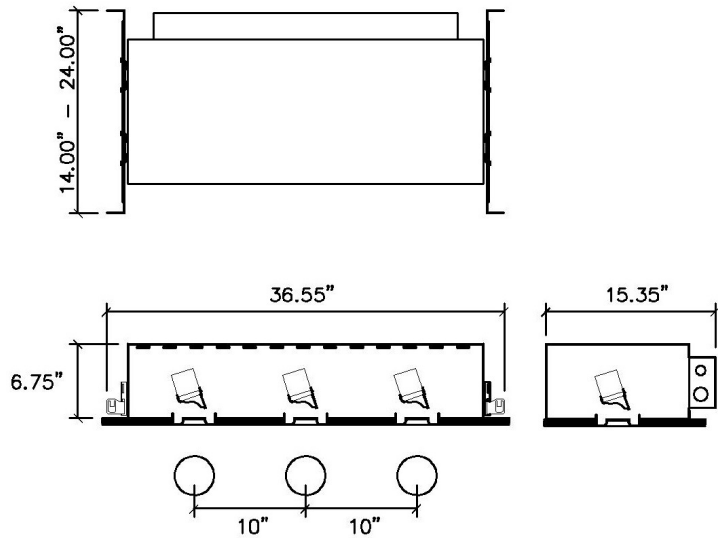
A2 Analogue (0-10V) 2-Channel  
D6 DALI Type 6\*\*  
D8 DALI Type 8\*\*  
L Lutron (Consult Factory)

**Emergency**

E Maintained 3hr Emergency  
ES Maintained 3hr Self Test

Project Ref: \_\_\_\_\_

Location Ref: \_\_\_\_\_



LH-M3-6.75

Tray Order Code:

LH-M3-6.75 - NIC - [ ] - LED51 - [ ] - [ ] - [ ]

Housing Type

LH-M3-6.75 Lucent Triple Housing 6.75"

Housing Type

NIC Non-Insulated Ceiling

Mounting Hardware

- 09 9" to 15.25"
- 14 14" to 24"
- 36 28" to 36"
- BB Butterfly Bracket
- CB Caterpillar Bracket

LED

LED51 LED51 Range

Supply Voltage

- 120 120V
- 277 277V

Protocol

- |     |  |                            |                            |
|-----|--|----------------------------|----------------------------|
| S   | Non-Dimmable                                       | BELOW PROTOCOL FOR LED51TW |                            |
| P   | TRIAC/Phase (120V ONLY)                            | A2                         | Analogue (0-10V) 2-Channel |
| LP  | Lutron Forward Phase 2-Wire (120V ONLY)            | D6                         | DALI Type 6**              |
| ESS | EcoSystem 5-Series 5%                              | D8                         | DALI Type 8**              |
| LHE | EcoSystem Hi-Lume 1% Fade to Black                 | L                          | Lutron (Consult Factory)   |
| LAE | Lutron 3-Wire Hi-Lume 1%                           |                            |                            |
| A   | Analogue (0-10V)                                   |                            |                            |
| ED  | EldoLED DALI (Not Available for LED51WD)           |                            |                            |
| EA  | EldoLED Analog (0-10V) (Not Available for LED51WD) |                            |                            |
| B   | Bluetooth  |                            |                            |

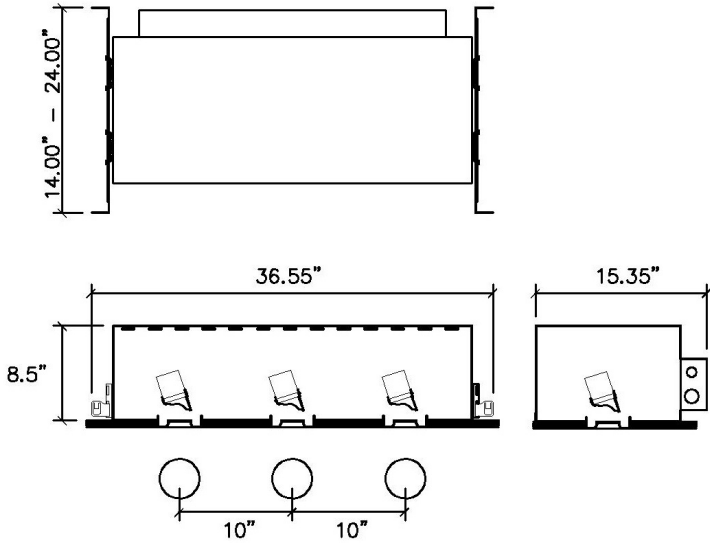
Emergency

- E Maintained 3hr Emergency
- ES Maintained 3hr Self Test



Project Ref: \_\_\_\_\_

Location Ref: \_\_\_\_\_



LH-M3-8.50

Tray Order Code:

LH-M3-8.50 - [ ] - [ ] - LED51 - [ ] - [ ] - [ ]

Housing Type

LH-M3-8.50 Lucent Triple Housing 8.50"

Housing Type

NIC Non-Insulated Ceiling  
 IC Insulated Ceiling  
 AT Airtight Ceiling, CCEA

Mounting Hardware

09 9" to 15.25"  
 14 14" to 24"  
 36 28" to 36"  
 BB Butterfly Bracket  
 CB Caterpillar Bracket

LED

LED51 LED51 Range

Supply Voltage

120 120V  
 277 277V

Protocol

S	Non-Dimmable	BELOW PROTOCOL FOR LED51TW	
P	TRIAC/Phase (120V ONLY)		
LP	Lutron Forward Phase 2-Wire (120V ONLY)	A2	Analogue (0-10V) 2-Channel
ESS	EcoSystem 5-Series 5%	D6	DALI Type 6**
LHE	EcoSystem Hi-Lume 1% Fade to Black	D8	DALI Type 8**
LAE	Lutron 3-Wire Hi-Lume 1%	L	Lutron (Consult Factory)
A	Analogue (0-10V)		
ED	EldoLED DALI (Not Available for LED51WD)		
EA	EldoLED Analogue (0-10V) (Not Available for LED51WD)		
B	Bluetooth		

Emergency

E Maintained 3hr Emergency  
 ES Maintained 3hr Self Test